

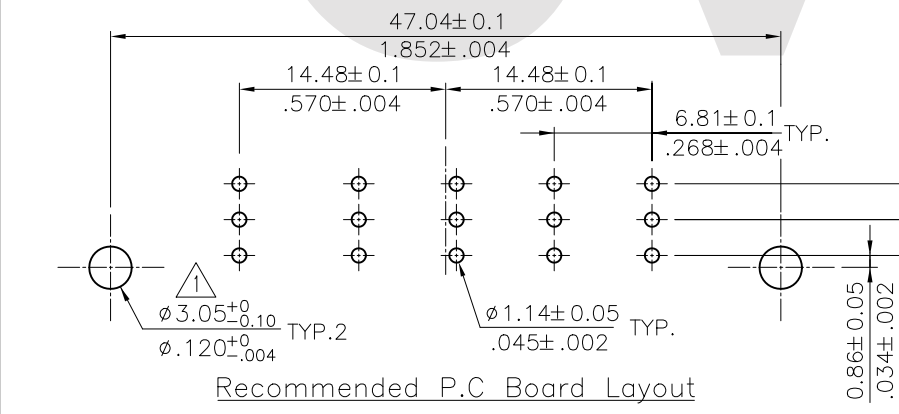
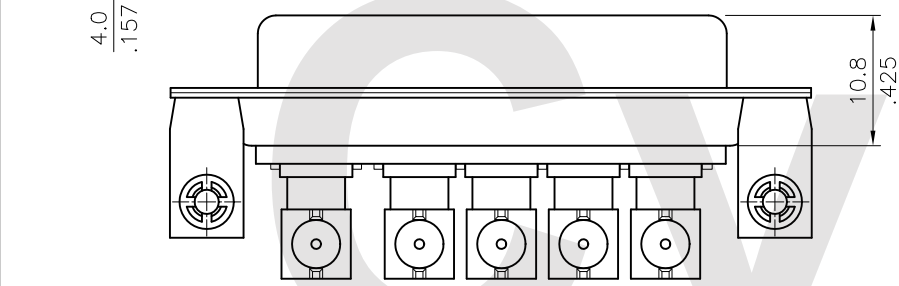
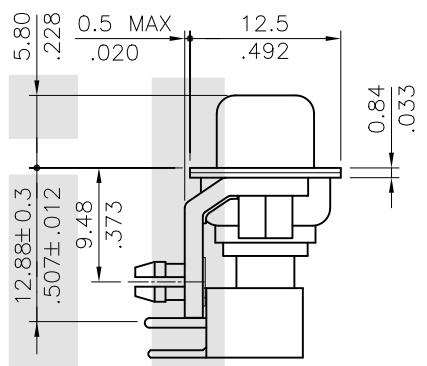
Material:  
Insulator: Glass filled Polyester UL 94V-0  
Shell: Steel, Tin plated as standard

Coaxial terminal  
Insulator: Teflon UL 94V-0  
Color white  
Contact: Brass with Gold plated

### Ordering Code

C5W5 S C H 3 0 1 75 I10  
① ② ③ ④ ⑤ ⑥ ⑦ ⑧ ⑨

- ① Series No.
- ② Connector Type: S= Receptacle
- ③ Contact type: C= Coaxial Contact
- ④ Contact tail style: H= Right Angle Dip type
- ⑤ Coaxial contact plating:  
2= Gold flash plated over Nickel  
3= 15μ" Gold plated over Nickel  
4= 30μ" Gold plated over Nickel  
5= 50μ" Gold plated over Nickel
- ⑥ Singal contact plating:  
0= Without singal contact
- ⑦ Insulator color: 1= Black, 6= Green
- ⑧ Performance: 50= 50Ω, 75= 75Ω
- ⑨ Mounting Style:  
000= With ø3.05mm holes on shell  
B00= Riveted #4-40 UNC open nuts on front shell  
C00= Riveted #4-40 UNC open nuts on rear shell  
I00= Riveted #4-40 UNC ground tabs with ø3.2mm holes  
I10= Riveted #4-40 UNC ground tabs with board locks(standard)



### Mounting Style

Code	000	Code	B00	Code	C00	Code	I00	Code	I10
			DIM. L= 4.0mm		DIM. L= 4.0mm		øA=3.2mm		

4					DATE	UNIT: mm / inch	TITLE: C5W5 COAXIAL FEMALE D-SUB CONNECTOR (RIGHT ANGLE BOARD MOUNT TYPE)
3					DATE	TOLERANCE UNLESS OTHERWISE SPECIFIED	MATERIAL:  FINISH:
2					DATE	.X ± 0.30/.012 X' ± 1'	
1	Karen	3/20-17'	ECNT117049/ECRT117003		DATE	.XX ± 0.20/.008 X' ±	
SYM	NAME	DATE	REVISIONS	APPROVED BY:	DATE	.XXX ± 0.10/.004 XX' ±	



DRAWING NO.	C5W506SC	PART NO.	C5W5SCH*0*****
SCALE	2 / 1	SHEET	1 OF 1