

Material:

Insulator: Glass filled Polyester UL 94V-0
 Shell: Steel, Tin plated as standard

Coaxial terminal

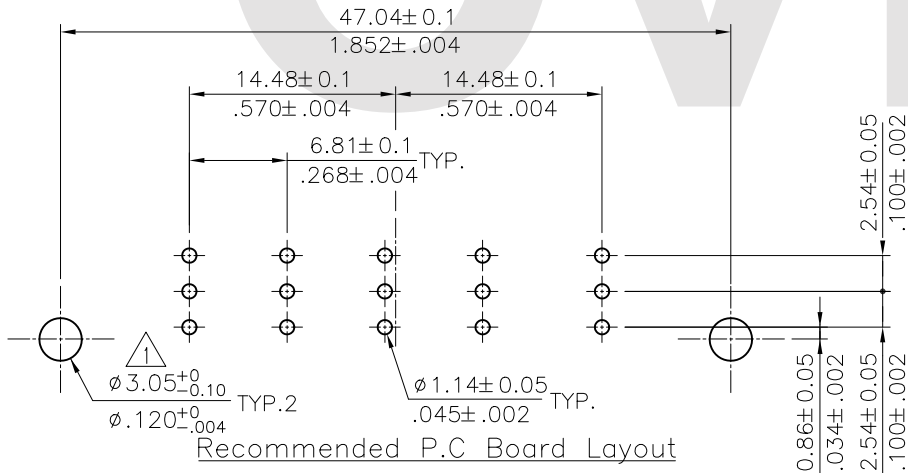
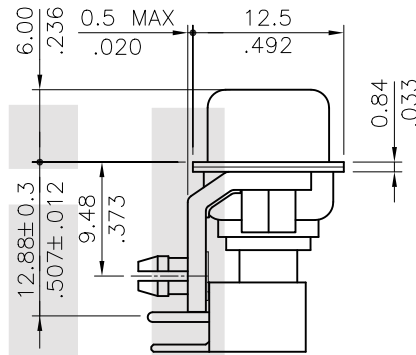
Insulator: Teflon UL 94V-0
 Color white

Contact: Brass with Gold plated

Ordering Code

C5W5 P C H 3 0 1 75 I10
 ① ② ③ ④ ⑤ ⑥ ⑦ ⑧ ⑨

- ① Series No.
- ② Connector Type: P= Plug
- ③ Contact type: C= Coaxial Contact
- ④ Contact tail style: H= Right Angle Dip type
- ⑤ Coaxial contact plating:
 2= Gold flash plated over Nickel
 3= 15μ" Gold plated over Nickel
 4= 30μ" Gold plated over Nickel
 5= 50μ" Gold plated over Nickel
- ⑥ Singal contact plating:
 0= Without singal contact
- ⑦ Insulator color: 1= Black, 6= Green
- ⑧ Performance: 50= 50Ω, 75= 75Ω
- ⑨ Mounting Style:
 000= With ø3.05mm holes on shell
 B00= Riveted #4-40 UNC open nuts on front shell
 C00= Riveted #4-40 UNC open nuts on rear shell
 I00= Riveted #4-40 UNC ground tabs with ø3.2mm holes
 I10= Riveted #4-40 UNC ground tabs with board locks(standard)



Mounting Style

Code	000	Code	B00	Code	C00	Code	I00	Code	I10
			DIM. L= 4.0mm		DIM. L= 4.0mm		øA=3.2mm		

④					DATE	UNIT: mm / inch	TITLE: C5W5 COAXIAL MALE D-SUB CONNECTOR (RIGHT ANGLE BOARD MOUNT TYPE)
③					DRAWN BY: Karen	3/20-17'	TOLERANCE UNLESS OTHERWISE SPECIFIED
②					ENGINEER: Sun	3/20-17'	MATERIAL:
①	Karen	3/20-17'	ECNT117049/ECRT117003		CHECKED BY: Eisley	3/22-17'	FINISH:
SYM	NAME	DATE	REVISIONS		APPROVED BY: Eisley	3/22-17'	



瀚荃股份有限公司
 CviLux Corporation

DRAWING NO.	C5W505SC	PART NO.	C5W5PCH*0*****
SCALE	2 / 1	SHEET	1 OF 1