

Material:

Insulator: Glass filled Polyester UL 94V-0

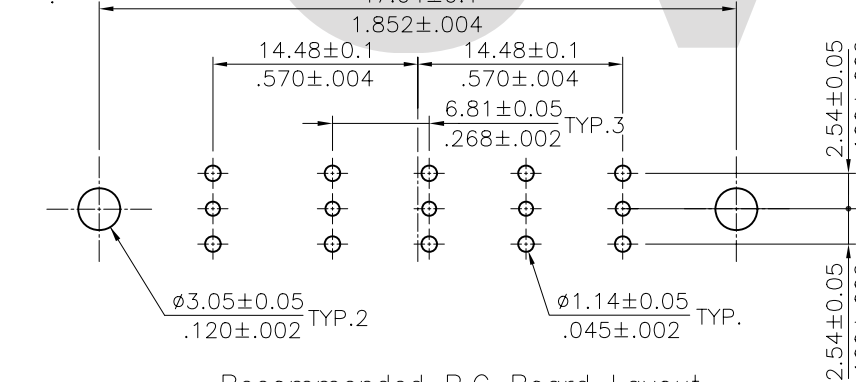
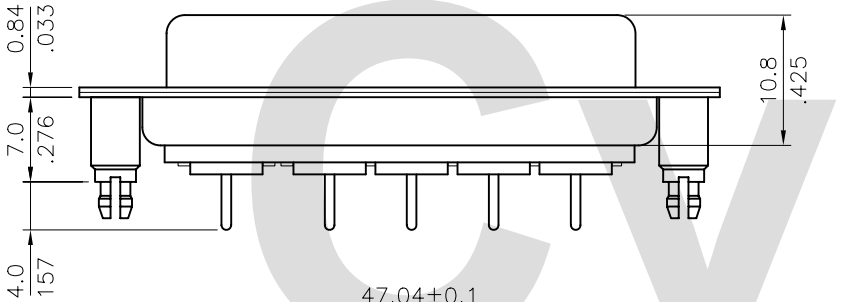
Shell: Steel, Tin plated as standard

Coaxial terminal

Insulator: Teflon UL 94V-0

Color white

Contact: Brass



Recommended P.C Board Layout

Ordering Code

C5W5 S C V 3 0 1 75 D00
 ① ② ③ ④ ⑤ ⑥ ⑦ ⑧ ⑨

- ① Series No.
- ② Connector Type: S= Receptacle
- ③ Contact type: C= Coaxial Contact
- ④ Contact tail style: V= Straight Dip type
- ⑤ Coaxial contact plating:
 2= Gold flash plated over Nickel
 3= 15μ" Gold plated over Nickel
 4= 30μ" Gold plated over Nickel
 5= 50μ" Gold plated over Nickel
- ⑥ Singal contact plating:
 0= Without singal contact
- ⑦ Insulator color: 1= Black, 6= Green
- ⑧ Performance: 50= 50Ω, 75= 75Ω
- ⑨ Mounting Style:
 000= With ø3.05mm holes on shell
 B00= Riveted #4-40 UNC open nuts on front shell
 C00= Riveted #4-40 UNC open nuts on rear shell
 D00= Riveted #4-40 UNC ground stand-off on rear shell(standard)

Mounting Style				RoHS Compliant			
Code	000	Code	B00	Code	C00	Code	D00
		DIM. L= 4.0mm 		DIM. L= 4.0mm 		DIM. L= 7.0mm 	

4					DATE	UNIT: mm / inch	TITLE: C5W5 COAXIAL FEMALE D-SUB CONNECTOR (TOP ENTRY BOARD MOUNT TYPE) MATERIAL:		瀚荃股份有限公司 CviLux Corporation
3		DRAWN BY: Eisley		10/09-01'	TOLERANCE UNLESS OTHERWISE SPECIFIED				
2		ENGINEER: David		10/15-01'	.X ± 0.30/012	X' ± 1'			
1		CHECKED BY: David		10/15-01'	.XX ± 0.20/008	.X' ±			
SYM	NAME	DATE		APPROVED BY: Alex	10/15-01'	.XXX ± 0.10/004	.XX' ±	FINISH:	
		REVISIONS			SCALE	2 / 1	SHEET 1 OF 1		