



Material:

- Insulator: Glass filled Polyester UL 94V-0
- Contact: Copper alloy
- Shell: Steel, Tin plated as standard
- High power Contact : Brass with Gold plated

#4-40 UNC TYP.2

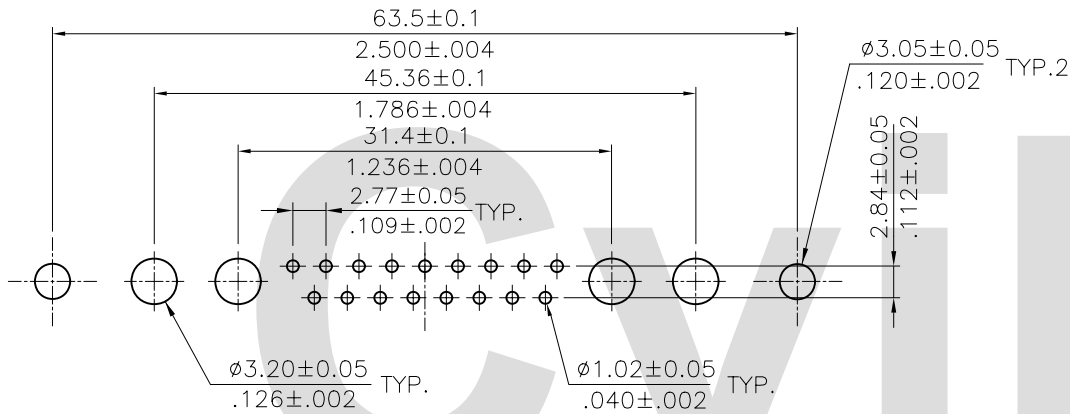
RoHS Compliant

4					DATE	UNIT: mm / inch	TITLE: 21W4 20A HIGH POWER FEMALE D-SUB CONNECTOR (TOP ENTRY BOARD MOUNT TYPE)	 瀚荃股份有限公司 CviLux Corporation	
3				DRAWN BY: Rita	10/18-01'	TOLERANCE UNLESS OTHERWISE SPECIFIED			
2				ENGINEER: David	10/19-01'	.X ± 0.30/.012	.X' ± 1'	DRAWING NO. 21W408SB PART NO. 21W4SPV***20*00	
1				CHECKED BY: David	10/19-01'	.XX ± 0.20/.008	.X' ±		
SYM	NAME	DATE	REVISIONS	APPROVED BY: Alex	10/19-01'	.XXX ± 0.10/.004	.XX' ±	FINISH:	SCALE 2 / 1 SHEET 1 OF 2

Ordering Code

$\frac{21W4}{①} \frac{S}{②} \frac{P}{③} \frac{V}{④} \frac{3}{⑤} \frac{2}{⑥} \frac{1}{⑦} \frac{20}{⑧} \frac{D00}{⑨}$

- ① Series No.
- ② Connector Type: S= Receptacle
- ③ Contact type: P= High Power Contact
- ④ Contact tail style: V= Straight Dip type
- ⑤ High Power contact plating:
 - 2= Gold flash plated over Nickel
 - 3= 15 μ " Gold plated over Nickel
 - 4= 30 μ " Gold plated over Nickel
 - 5= 50 μ " Gold plated over Nickel
- ⑥ Signal contact plating:
 - 2= Gold flash plated over Nickel
 - 3= 15 μ " Gold plated over Nickel
 - 4= 30 μ " Gold plated over Nickel
- ⑦ Insulator color: 1= Black, 6= Green
- ⑧ Performance: 20= 20A
- ⑨ Mounting Style:
 - 000= With $\phi 3.05$ mm holes on shell
 - B00= Riveted #4-40 UNC open nuts on front shell
 - C00= Riveted #4-40 UNC open nuts on rear shell
 - D00= Riveted #4-40 UNC ground stand-off on rear shell(standard)



Recommended P.C Board Layout

Mounting Style

RoHS Compliant

Code	000	Code	B00	Code	C00	Code	D00
			DIM. L= 4.0mm		DIM. L= 4.0mm		DIM. L= 7.0mm

4					DATE	UNIT: mm / inch	TITLE: 21W4 20A HIGH POWER FEMALE D-SUB CONNECTOR (TOP ENTRY BOARD MOUNT TYPE)	瀚荃股份有限公司 CviLux Corporation
3				DRAWN BY: Rita	10/18-01'	TOLERANCE UNLESS OTHERWISE SPECIFIED	MATERIAL:	
2				ENGINEER: David	10/19-01'	.X ± 0.30/012 X' ± 1'	FINISH:	
1				CHECKED BY: David	10/19-01'	.XX ± 0.20/008 .X' ±		
SYM	NAME	DATE	REVISIONS	APPROVED BY: Alex	10/19-01'	.XXX ± 0.10/004 .XX' ±		



DRAWING NO.	21W408SB	PART NO.	21W4SPV***20*00
SCALE	2 / 1	SHEET	2 OF 2