

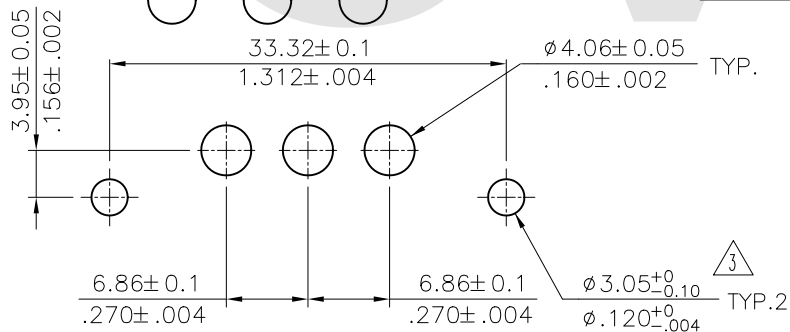
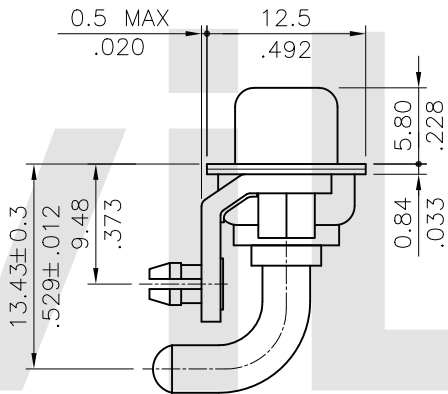
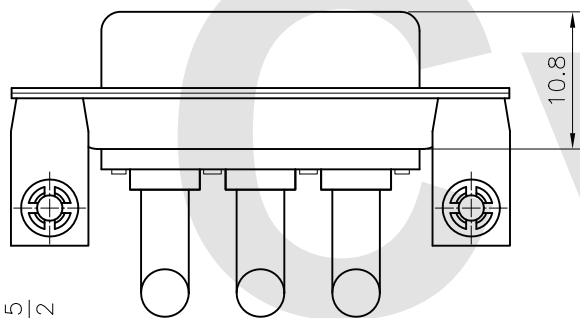
Notes:

- * Insulator: Glass filled Polyester UL 94V-0
- * Shell: Steel, Tin plated as standard
- * High power Contact : Brass with Gold plated
- * For Lead Free Wave Flow Process

Ordering Code

C3W3 S P H 3 0 1 40 I10
 ① ② ③ ④ ⑤ ⑥ ⑦ ⑧ ⑨

- ① Series No.
- ② Connector Type: S= Receptacle
- ③ Contact type: P= High Power Contact
- ④ Contact tail style: H= Right Angle Dip type
- ⑤ High power contact plating:
 2= Gold flash plated over Nickel
 3= 15 μ Gold plated over Nickel
 4= 30 μ Gold plated over Nickel
 5= 50 μ Gold plated over Nickel
- ⑥ Singal contact plating:
 0= Without singal contact
- ⑦ Insulator color: 1= Black, 6= Green
- ⑧ Performance: 40= 40A
- ⑨ Mounting Style:
 000= With $\phi 3.05$ mm holes on shell
 B00= Riveted #4-40 UNC open nuts on front shell
 C00= Riveted #4-40 UNC open nuts on rear shell
 I00= Riveted #4-40 UNC ground tabs with $\phi 3.2$ mm holes
 I10= Riveted #4-40 UNC ground tabs with board locks(standard)



Recommended P.C Board Layout

Mounting Style

Code	000	Code	B00	Code	C00	Code	I00	Code	I10
			DIM. L= 4.0mm		DIM. L= 4.0mm		$\phi A=3.2$ mm		

Lead Free Process
 RoHS Compliant

④					DATE	UNIT: mm / inch	TITLE: C3W3 40A HIGH POWER FEMALE D-SUB CONNECTOR (RIGHT ANGLE TYPE)	瀚荃股份有限公司 CviLux Corporation
③	Karen	3/3-17'	ECNT117049/ECRT117003	DRAWN BY: Karen	3/20-17'	TOLERANCE UNLESS OTHERWISE SPECIFIED	MATERIAL:	
②	Jim	10/13/06'	ECR06094-0/ECN06369	ENGINEER: Sun	3/20-17'	.X ± 0.30/.012	.X' ± 1'	DRAWING NO. C3W314SE
①	SUN	3/21/05'	ECR05025-0/ECN09095	CHECKED BY: Eisley	3/22-17'	.XX ± 0.20/.008	.X' ±	PART NO. C3W3SPH*0*40***
SYM	NAME	DATE	REVISIONS	APPROVED BY: Eisley	3/22-17'	.XXX ± 0.10/.004	.XX' ±	SCALE 2 / 1
								SHEET 1 OF 1

CIVILUX CORP
 2017.03.23
 ISSUED