

Material:

Insulator: Glass filled Polyester UL 94V-0  
 Shell: Steel, Tin plated as standard

High power Contact :  
 Brass with Gold plated

### Ordering Code

C3W3 S P H 3 0 1 20 I10  
 ① ② ③ ④ ⑤ ⑥ ⑦ ⑧ ⑨

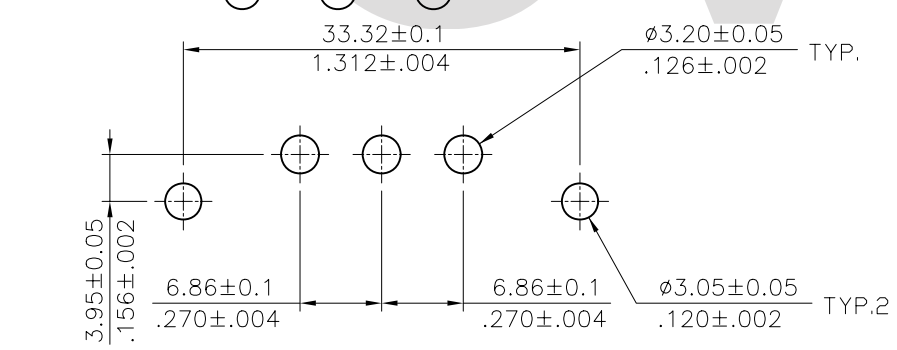
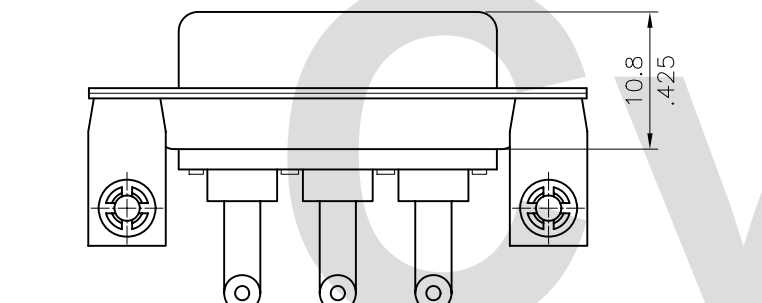
- ① Series No.
- ② Connector Type: S= Receptacle
- ③ Contact type: P= High Power Contact
- ④ Contact tail style: H= Right Angle Dip type
- ⑤ High power contact plating:

2= Gold flash plated over Nickel  
 3= 15μ" Gold plated over Nickel  
 4= 30μ" Gold plated over Nickel  
 5= 50μ" Gold plated over Nickel

- ⑥ Singal contact plating:  
 0= Without singal contact
- ⑦ Insulator color: 1= Black, 6= Green
- ⑧ Performance: 20= 20A

- ⑨ Mounting Style:

000= With  $\phi 3.05\text{mm}$  holes on shell  
 B00= Riveted #4-40 UNC open nuts on front shell  
 C00= Riveted #4-40 UNC open nuts on rear shell  
 I00= Riveted #4-40 UNC ground tabs with  $\phi 3.2\text{mm}$  holes  
 I10= Riveted #4-40 UNC ground tabs with board locks(standard)



Recommended P.C Board Layout

### Mounting Style

Code	000	Code	B00	Code	C00	Code	I00	Code	I10
			DIM. L= 4.0mm		DIM. L= 4.0mm		$\phi A=3.2\text{mm}$		

RoHS Compliant

④					DATE	UNIT: mm / inch	TITLE: C3W3 20A HIGH POWER FEMALE D-SUB CONNECTOR (RIGHT ANGLE TYPE)	瀚荃股份有限公司 CviLux Corporation	
③					DRAWN BY: Rita	TOLERANCE UNLESS OTHERWISE SPECIFIED	MATERIAL:		
②					ENGINEER: David	.X ± 0.30/.012 X' ± 1'	FINISH:		
①					CHECKED BY: David	.XX ± 0.20/.008 X' ±			
SYM	NAME	DATE	REVISIONS	APPROVED BY: Alex	10/18-01'	.XXX ± 0.10/.004 XX' ±	DRAWING NO. C3W312SB	PART NO. C3W3SPH*0*20***	
							SCALE	2 / 1	SHEET 1 OF 1

CVILUX.CORP.  
 2001.10.21  
 ISSUED