

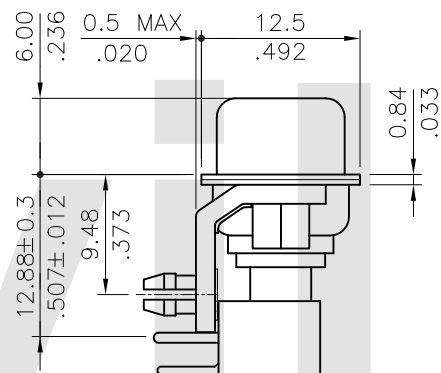
Notes:

- * Insulator: Glass filled Polyester UL 94V-0
- * Shell: Steel, Tin plated as standard
- * Coaxial terminal
Insulator: Teflon UL 94V-0
Color white
- Contact: Brass with Gold plated
- * For Lead Free Wave Flow Process

Ordering Code

C3W3 P C H 3 0 1 75 I10
① ② ③ ④ ⑤ ⑥ ⑦ ⑧ ⑨

- ① Series No.
- ② Connector Type: P= Plug
- ③ Contact type: C= Coaxial Contact
- ④ Contact tail style: H= Right Angle Dip type
- ⑤ Coaxial contact plating:
2= Gold flash plated over Nickel
3= 15μ" Gold plated over Nickel
4= 30μ" Gold plated over Nickel
5= 50μ" Gold plated over Nickel
- ⑥ Signal contact plating:
0= Without signal contact
- ⑦ Insulator color: 1= Black, 6= Green
- ⑧ Performance: 50= 50Ω, 75= 75Ω
- ⑨ Mounting Style:
000= With ø3.05mm holes on shell
B00= Riveted #4-40 UNC open nuts on front shell
C00= Riveted #4-40 UNC open nuts on rear shell
I00= Riveted #4-40 UNC ground tabs with ø3.2mm holes
I10= Riveted #4-40 UNC ground tabs with board locks (standard)



Mounting Style

Code	000	Code	B00	Code	C00	Code	I00	Code	I10
			DIM. L= 4.0mm		DIM. L= 4.0mm		øA=3.2mm		

Lead Free Process
RoHS Compliant

④					DATE	UNIT: mm / inch	TITLE: C3W3 COAXIAL MALE D-SUB CONNECTOR (RIGHT ANGLE BOARD MOUNT TYPE)	瀚荃股份有限公司 CviLux Corporation
③					TOLERANCE UNLESS OTHERWISE SPECIFIED	MATERIAL:	DRAWING NO. C3W305SC	
②					.X ± 0.30/012 X: ± .1	FINISH:	PART NO. C3W3PCH*0****0	
①	Karen	3/3-17'	ECNT117049/ECRT117003		.XX ± 0.20/008 .X: ±		SCALE 2 / 1	
SYM	NAME	DATE	REVISIONS		APPROVED BY: Eisley	3/22-17'	.XXX ± 0.10/004 .XX ±	SHEET 1 OF 1

CVILUX CORP
2017.03.23
ISSUED

DRAWN BY: Karen 3/20-17'
ENGINEER: Sun 3/20-17'
CHECKED BY: Eisley 3/22-17'
APPROVED BY: Eisley 3/22-17'