

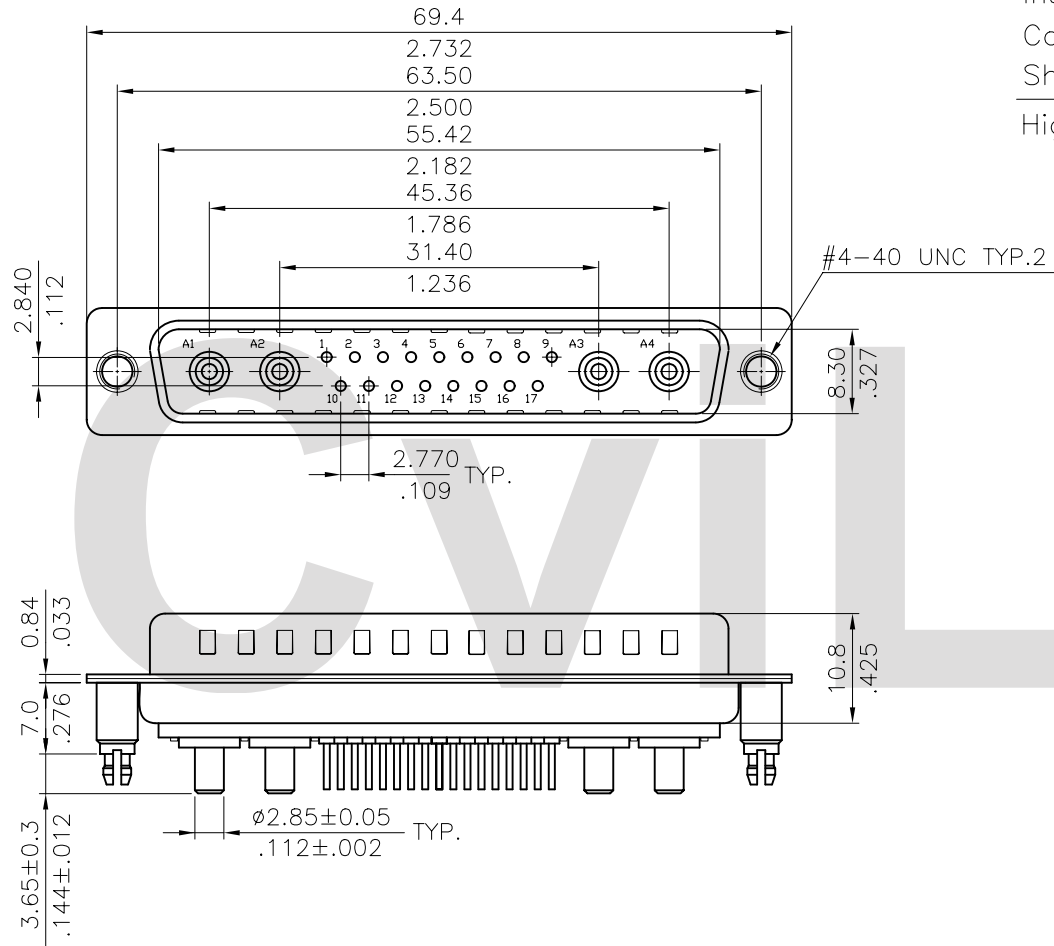
Material:

Insulator: Glass filled Polyester UL 94V-0



Contact: Copper alloy

Shell: Steel, Tin plated as standard

High power Contact : Brass with Gold plated



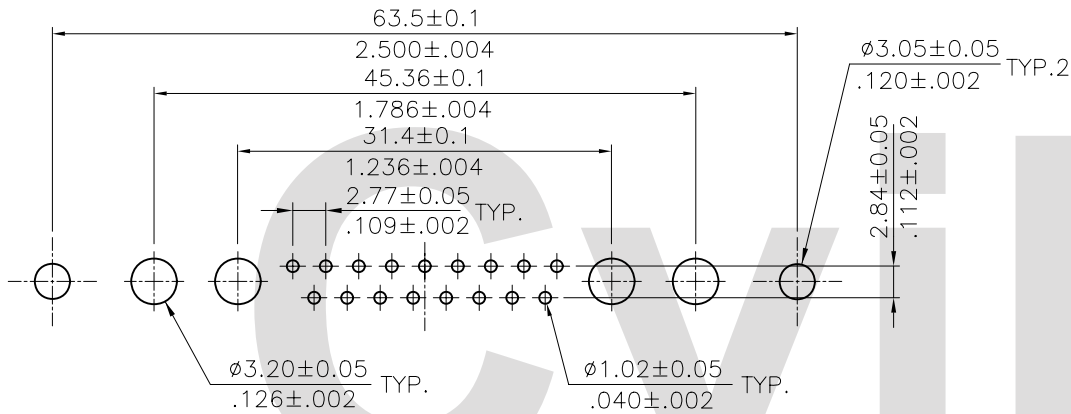
RoHS Compliant

4					DATE	UNIT: mm / inch	TITLE: 21W4 20A HIGH POWER MALE D-SUB CONNECTOR (TOP ENTRY BOARD MOUNT TYPE)	 瀚荃股份有限公司 CviLux Corporation
3				DRAWN BY: Rita	10/18-01'	TOLERANCE UNLESS OTHERWISE SPECIFIED		
2				ENGINEER: David	10/19-01'	.X ± 0.30/012 X' ± 1'	MATERIAL:	DRAWING NO. 21W407SB PART NO. 21W4PPV***20*00
1				CHECKED BY: David	10/19-01'	.XX ± 0.20/008 X' ±	FINISH:	SCALE 2 / 1 SHEET 1 OF 2
SYM	NAME	DATE	REVISIONS	APPROVED BY: Alex	10/19-01'	.XXX ± 0.10/004 X' ±		

# Ordering Code

21W4 P P V 3 2 1 20 D00  
 ① ② ③ ④ ⑤ ⑥ ⑦ ⑧ ⑨

- ① Series No.
- ② Connector Type: P= Plug
- ③ Contact type: P= High Power Contact
- ④ Contact tail style: V= Straight Dip type
- ⑤ High power contact plating:  
 2= Gold flash plated over Nickel  
 3= 15μ" Gold plated over Nickel  
 4= 30μ" Gold plated over Nickel  
 5= 50μ" Gold plated over Nickel
- ⑥ Signal contact plating:  
 2= Gold flash plated over Nickel  
 3= 15μ" Gold plated over Nickel  
 4= 30μ" Gold plated over Nickel
- ⑦ Insulator color: 1= Black, 6= Green
- ⑧ Performance: 20= 20A
- ⑨ Mounting Style:  
 000= With ø3.05mm holes on shell  
 B00= Riveted #4-40 UNC open nuts on front shell  
 C00= Riveted #4-40 UNC open nuts on rear shell  
 D00= Riveted #4-40 UNC ground stand-off on rear shell(standard)



Recommended P.C Board Layout

## Mounting Style

RoHS Compliant

Code	000	Code	B00	Code	C00	Code	D00
			DIM. L= 4.0mm		DIM. L= 4.0mm		DIM. L= 7.0mm

4					DATE	UNIT: mm / inch	TITLE: 21W4 20A HIGH POWER MALE D-SUB CONNECTOR (TOP ENTRY BOARD MOUNT TYPE)	瀚荃股份有限公司 CviLux Corporation
3				DRAWN BY: Rita	10/18-01'	TOLERANCE UNLESS OTHERWISE SPECIFIED	MATERIAL:	
2				ENGINEER: David	10/19-01'	.X ± 0.30/.012 X' ± 1'	FINISH:	DRAWING NO. 21W407SB PART NO. 21W4PPV***20*00
1				CHECKED BY: David	10/19-01'	.XX ± 0.20/.008 .X' ±		SCALE 2 / 1 SHEET 2 OF 2
SYM	NAME	DATE	REVISIONS	APPROVED BY: Alex	10/19-01'	.XXX ± 0.10/.004 .XX' ±		

