

Material:

Insulator: Glass filled Polyester UL 94V-0
Shell: Steel, Tin plated as standard

Coaxial terminal

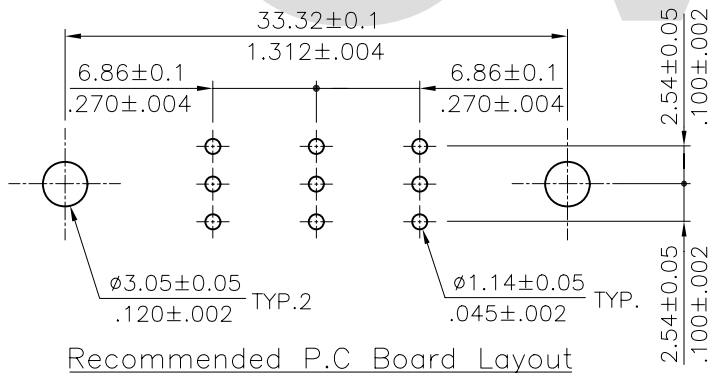
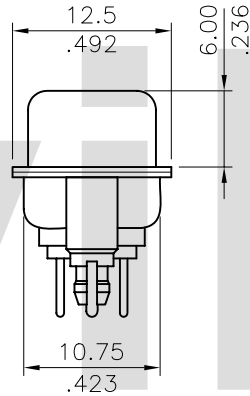
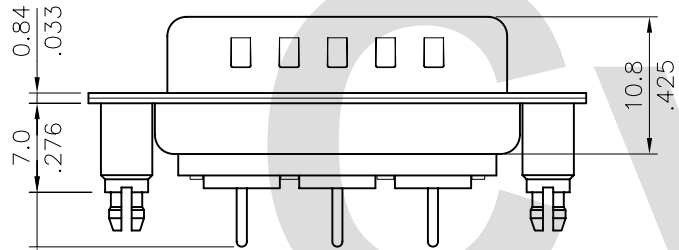
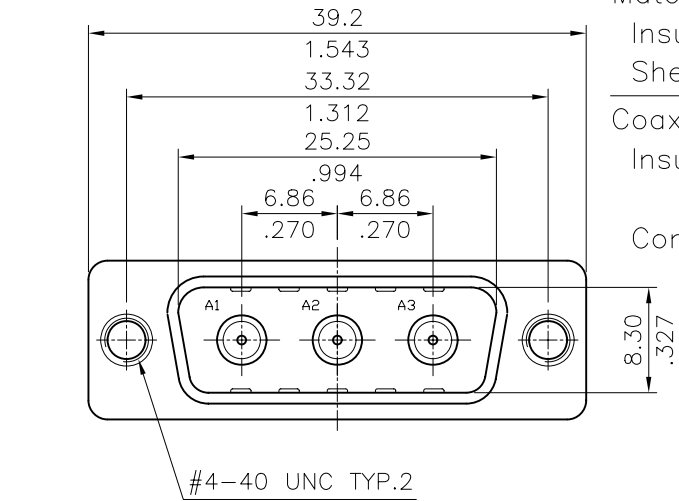
Insulator: Teflon UL 94V-0
Color white

Contact: Brass with Gold plated

Ordering Code

C3W3 P C V 3 0 1 75 D00
① ② ③ ④ ⑤ ⑥ ⑦ ⑧ ⑨

- ① Series No.
- ② Connector Type: P= Plug
- ③ Contact type: C= Coaxial Contact
- ④ Contact tail style: V= Straight Dip type
- ⑤ Coaxial contact plating:
2= Gold flash plated over Nickel
3= 15μ" Gold plated over Nickel
4= 30μ" Gold plated over Nickel
5= 50μ" Gold plated over Nickel
- ⑥ Singal contact plating:
0= Without singal contact
- ⑦ Insulator color: 1= Black, 6= Green
- ⑧ Performance: 50= 50Ω, 75= 75Ω
- ⑨ Mounting Style:
000= With ø3.05mm holes on shell
B00= Riveted #4-40 UNC open nuts on front shell
C00= Riveted #4-40 UNC open nuts on rear shell
D00= Riveted #4-40 UNC ground stand-off on rear shell(standard)



Mounting Style				RoHS Compliant			
Code	000	Code	B00	Code	C00	Code	D00
			DIM. L= 4.0mm 		DIM. L= 4.0mm 		DIM. L= 7.0mm

④					DATE	UNIT: mm / inch	TITLE: C3W3 COAXIAL MALE D-SUB CONNECTOR (TOP ENTRY BOARD MOUNT TYPE)	瀚荃股份有限公司 CviLux Corporation
③				DRAWN BY: Easley	10/09-01'	TOLERANCE UNLESS OTHERWISE SPECIFIED	MATERIAL:	
②				ENGINEER: David	10/15-01'	.X ± 0.30/012 X' ± 1'	FINISH:	
①				CHECKED BY: David	10/15-01'	.XX ± 0.20/008 .X' ±		
SYM	NAME	DATE	REVISIONS	APPROVED BY: Alex	10/15-01'	.XXX ± 0.10/004 .XX' ±		DRAWING NO. C3W303SB PART NO. C3W3PCV*0****00
								SCALE 2 / 1 SHEET 1 OF 1

