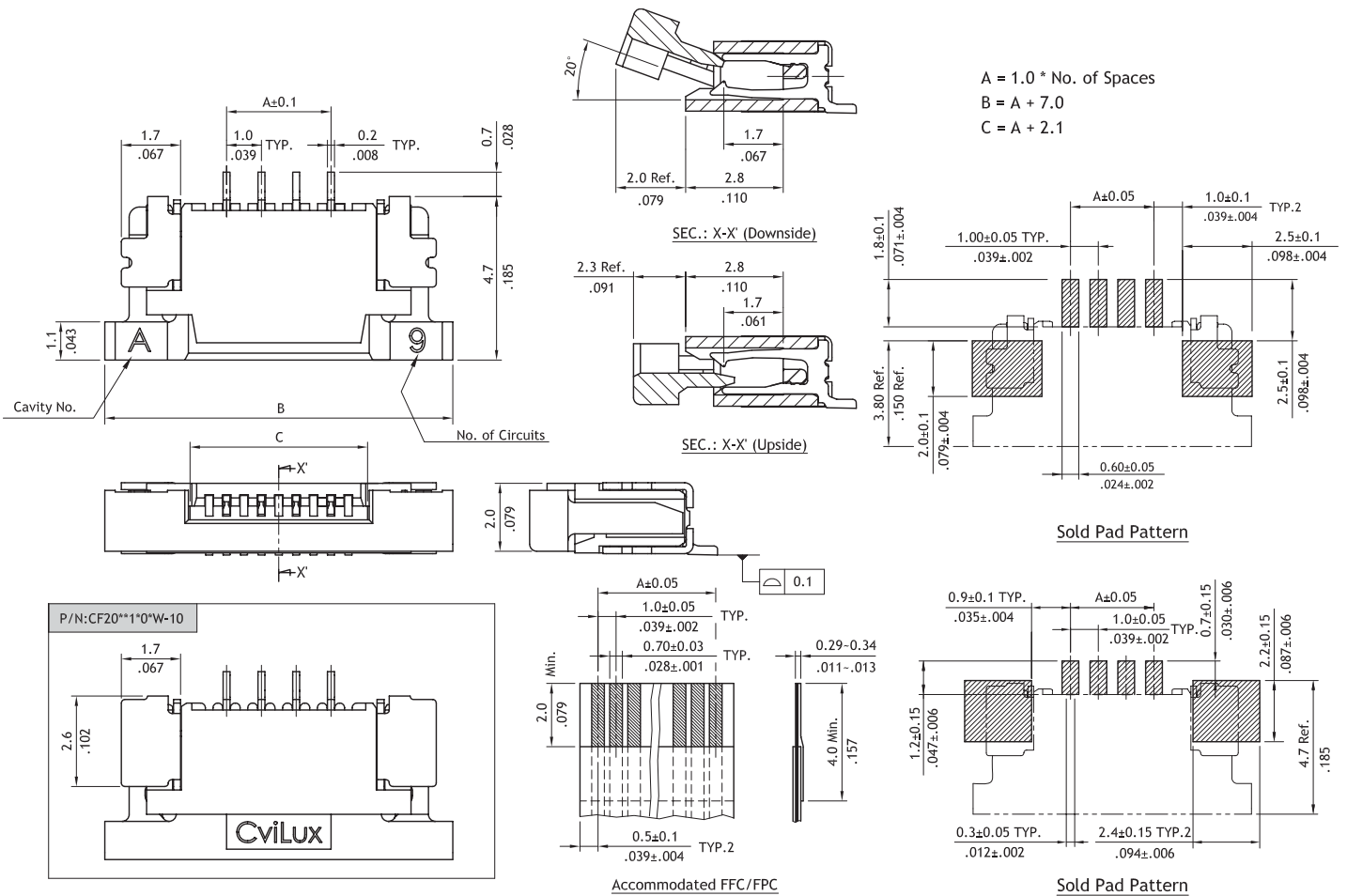
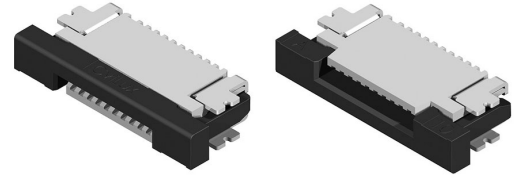


**CF20 Series 1.00mm(.039") SMT ZIF FFC/FPC Connectors**

- ⊙ Insulation: High temperature plastic UL 94V-0, Color Nature
- ⊙ Slider: High temperature plastic UL 94V-0, Color Black
- ⊙ With fixed metal tabs to secure connector in place



**Ordering Code**

**1** **CF20** **2** **7** **3** **1** **4** **5** **6** **7** **8**  
**CF 20 2 7 1 U 0 R 0 - 1 0**

- 1** Series No.
- 2** Circuits : 04 to 27
- 3** Plating code:  
1= Tin over Nickel
- 4** Contact style:  
U = Upside contact  
D = Downside contact
- 5** Color: 0 = Nature
- 6** Packing options:  
R = Tape & Reel  
T = Tube
- 7** Other options:  
0 = Standard  
W = Intensive tabs  
\* Special options consult manufacturer
- 8** Pitch:  
10 = 1.00mm