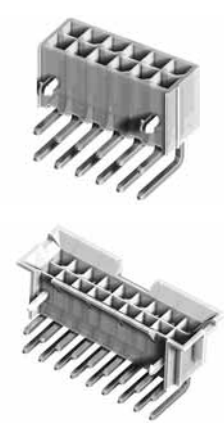


CP-014 Series 4.20mm(.165")Right Angle DIP Solder Headers

- ⊙ Option with mounting ears or pegs
- ⊙ Mates with CP-011 connector
- ⊙ Nylon 66 UL 94V-0 or V-2 insulator material

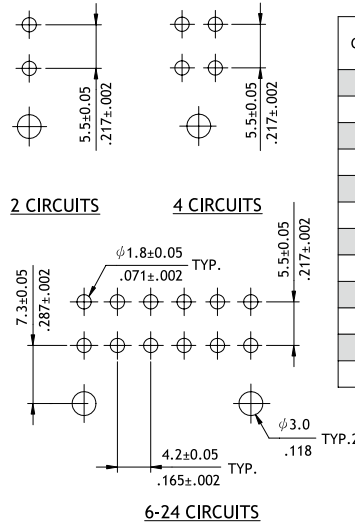
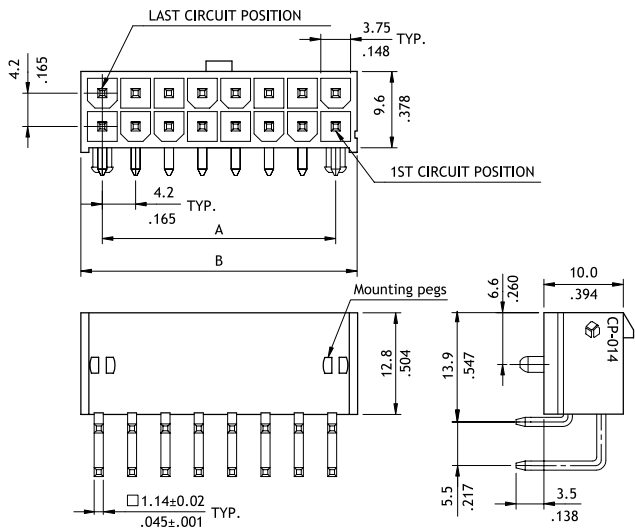


Ordering code

1 **2** **3** **4** **5** **6**
CP - 0 1 4 2 4 1 4 0

- 1** Series No.
- 2** Connector Type:
4 = Right angle header
- 3** No of Circuits:
See below table
- 4** Plating code:
1 = Tin over Nickel plated
- 5** Variation:
4 = UL 94V-2, with mounting pegs
5 = UL 94V-0, with mounting pegs
6 = UL 94V-2, B.M.I type
7 = UL 94V-0, B.M.I type
- 6** Other Options:
0 = Standard
*Special options consult manufacturer

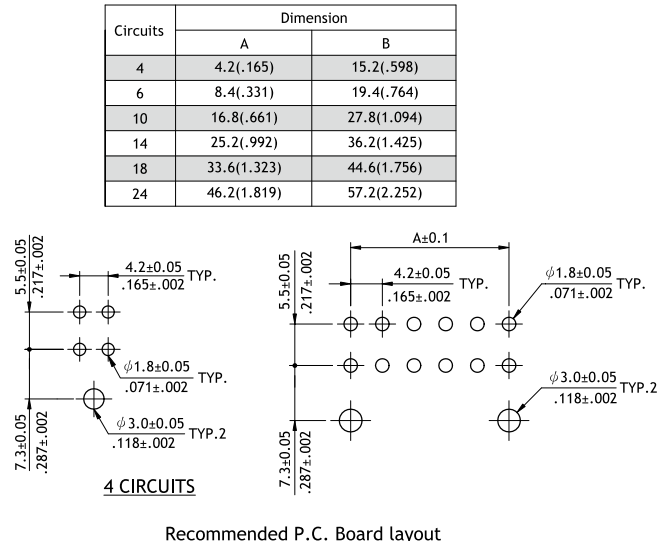
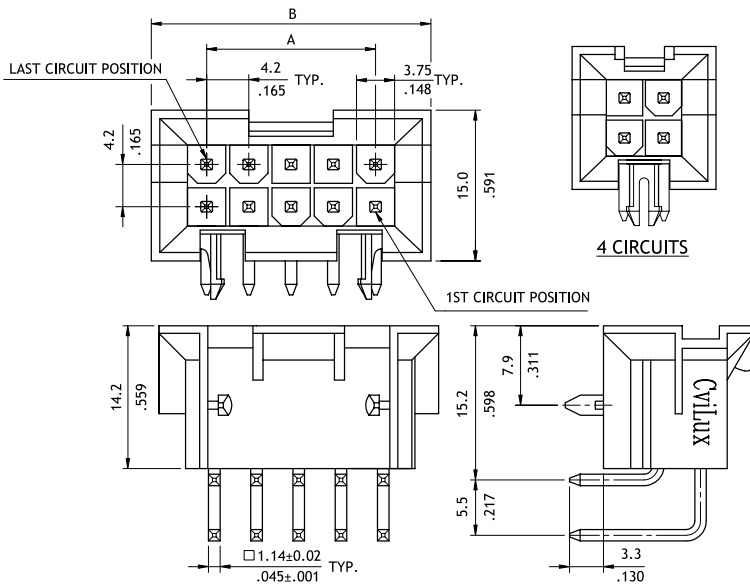
P/N CP-014**140 / CP-014**150 / CP-014**1G0



Circuits	Dimension	
	A	B
2	-	6.0(.236)
4	4.2(.165)	10.2(.402)
6	8.4(.331)	14.4(.567)
8	12.6(.496)	18.6(.732)
10	16.8(.661)	22.8(.898)
12	21.0(.827)	27.0(1.063)
14	25.2(.992)	31.2(1.228)
16	29.4(1.157)	35.4(1.394)
18	33.6(1.322)	39.6(1.559)
20	37.8(1.487)	43.8(1.724)
22	42.0(1.652)	48.0(1.890)
24	46.2(1.817)	52.2(2.055)

Recommended P.C. Board layout

P/N CP-014**160 / CP-014**170 / CP-014**1H0



Circuits	Dimension	
	A	B
4	4.2(.165)	15.2(.598)
6	8.4(.331)	19.4(.764)
10	16.8(.661)	27.8(1.094)
14	25.2(.992)	36.2(1.425)
18	33.6(1.323)	44.6(1.756)
24	46.2(1.819)	57.2(2.252)

Recommended P.C. Board layout