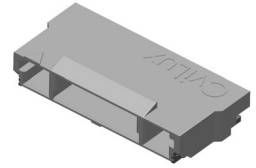
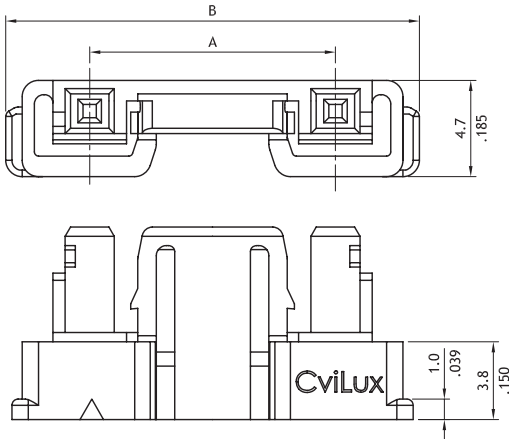


CP04 Series 13.0 mm(.512") Wire To Board Connectors

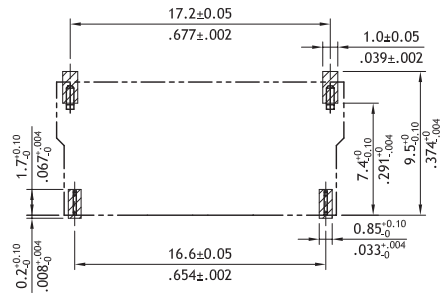
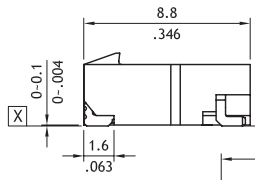
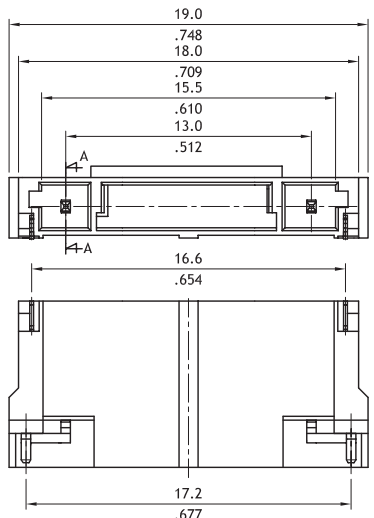
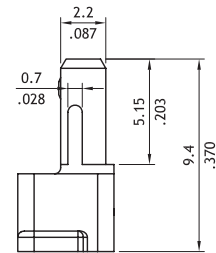
- ⊙ Current Rating: 1.0A AC/DC (AWG #24)
- ⊙ Voltage Rating: 3000V AC/DC (13.0mm Pitch)
- ⊙ Shrouded headers with Fixed Tabs
- ⊙ Low profile with polarizing device
- ⊙ Insulation: High temperature plastic UL 94V-0, Color Nature
- ⊙ Terminal: Tin plated Brass



RoHS Compliant



Circuits	DIM.A	DIM.B
2C	12.0(.472)	20.2(.795)
2D	16.0(.630)	24.2(.953)
2E	13.0(.512)	21.2(.835)



Sold Pad Pattern

Ordering Code

1
2
3
4
5
CP04
2E
S
C
000
1
2
E
P
1
M
D
0
-
LF

- ① Series No.
- ② No.of Circuits: 2E= 13.0 mm
- ③ S= Connector Housing
- ④ Type: C= Side Press C Type
- ⑤ Other option:
000= Color Nature
(Standard)

- ① Series No.
- ② No. of Circuits: 2 Pin
- ③ Circuits pitch: E= 13.0mm
- ④ P= Header
- ⑤ Plating code:
1= Tin over Nickel
- ⑥ Contact type:
M= SMT Type

- ⑦ Type:
D= Contact pitch 13.0mm
Soldering pitch 17.2mm
With Inner lock type
- ⑧ Other options: 0= Standard
- ⑨ Process:
-LF= Lead Free soldering process
-NH= For Lead Free IR process and
Halogen-Free

WIRE TO BOARD