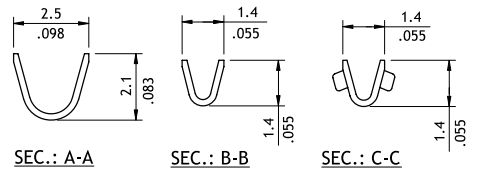
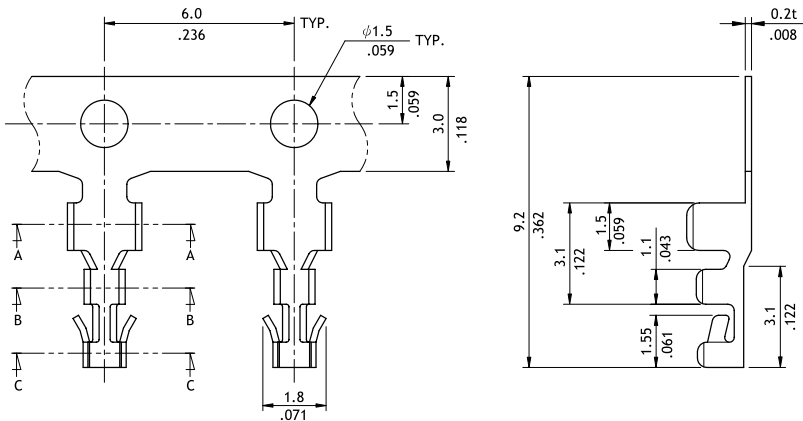


# CT01/CT03/CT05 Series Board in Terminal

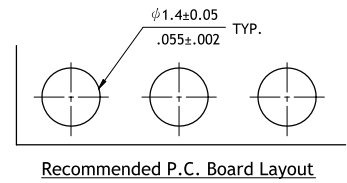
- ⊙ Accommodated wide range of wires in various of applications
- ⊙ Low cost and reliable
- ⊙ Terminals with latch or clipper to secure on PC board while soldering process
- ⊙ Can be used crimping machine for termination

**RoHS** Compliant

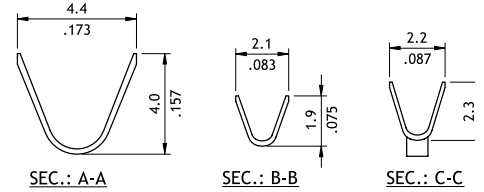
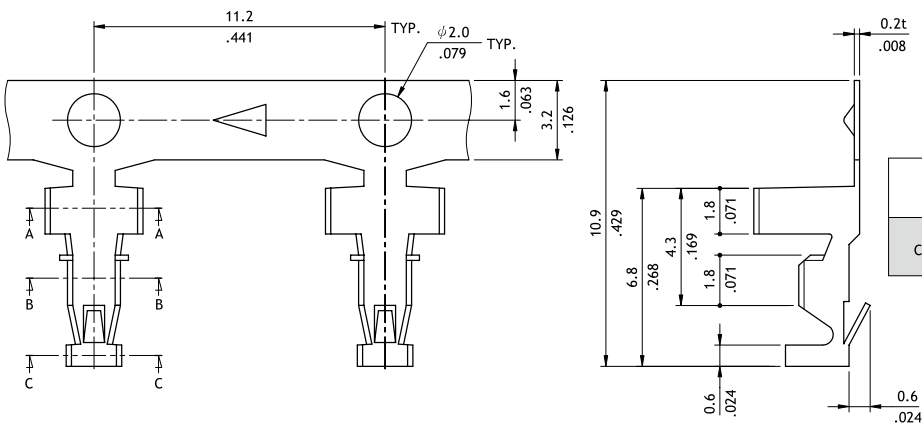
## ● CT01



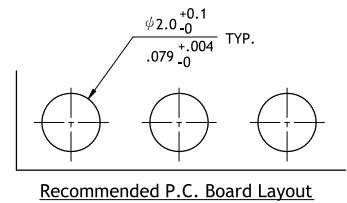
Part No.	Wire Range	Insulation Diameter	Reel Q'ty
CT01T021PP0	AWG #24-#28	1.45 (.057) MAX.	12,000 PCS



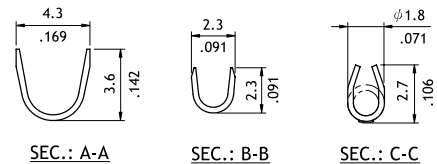
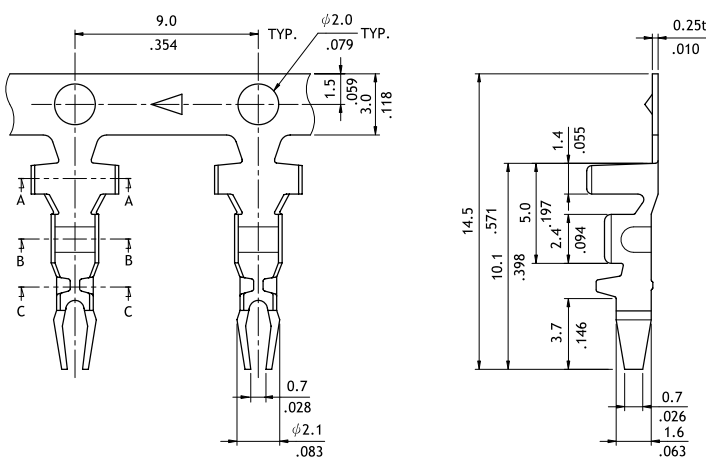
## ● CT03



Part No.	Wire Range	Insulation Diameter	Reel Q'ty
CT03T031PE0	AWG #18-#24	2.8 (.110) MAX.	4,000 PCS



## ● CT05



Part No.	Wire Range	Insulation Diameter	Reel Q'ty
CT05T031PE0	AWG #18-#24	2.65 (.104) MAX.	5,000 PCS

