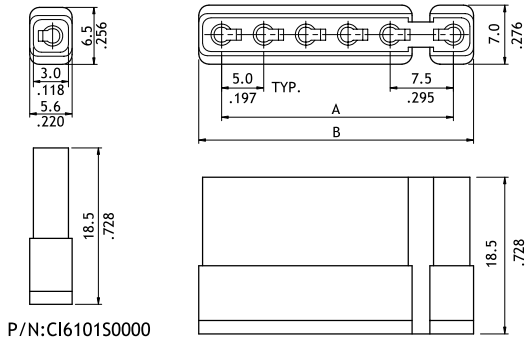


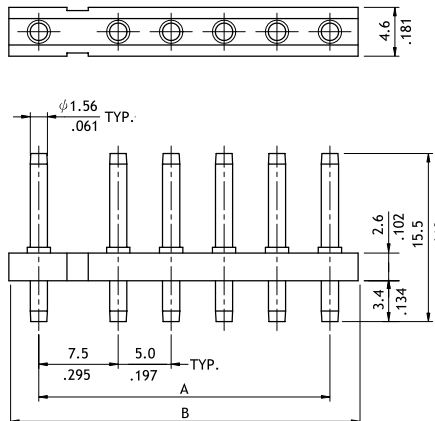
# CI61 Series 7.5-5.0mm(.295-.197")Wire to Board Connectors

- ⊙ Mate with CI61 header
- ⊙ Can be used CI61 crimp clip terminal
- ⊙ Insulator: Nylon 66 UL 94V-0 , Color Nature
- ⊙ With Tin plated 1.56mm round pin
- ⊙ Terminal: Tin plated Brass

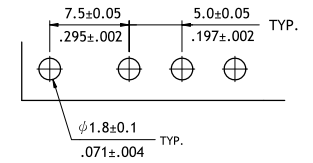


P/N:CI6101S0000

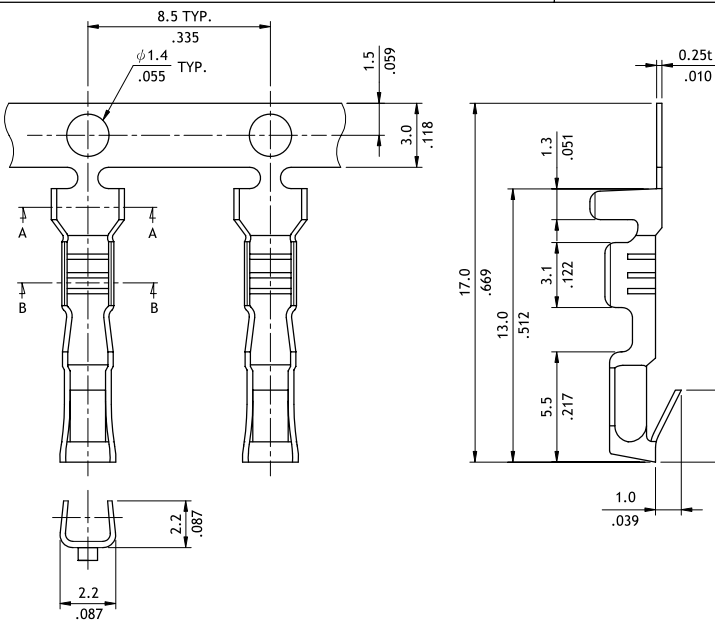
Circuits	Dimension		Circuits	Dimension	
	A	B		A	B
2	7.5(.295)	13.0(.512)	5	22.5(.886)	28.0(1.102)
3	12.5(.492)	17.5(.689)	6	27.5(1.083)	33.0(1.299)
4	17.5(.689)	23.0(.906)			



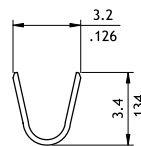
Circuits	Dimension	
	A	B
1	-	5.0(.197)
2	7.5(.295)	12.5(.492)
3	12.5(.492)	17.5(.689)
4	17.5(.689)	22.5(.886)
5	22.5(.886)	27.5(1.083)
6	27.5(1.083)	32.5(1.280)



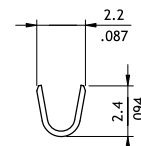
Recommended P.C. Board Layout



Part No.	Wire Range	Insulation Diameter	Reel Qty
CI61T031BE0	AWG #18-#22	2.10 (.083) MAX.	7,500 PCS



SEC.: A-A



SEC.: B-B

## Ordering Code

**1** **2** **3** **4**  
**CI61 06 S 0000**

- 1 Series No.
- 2 No. of Circuits: 01 to 06
- 3 S = Housing
- 4 Other Options:  
0000 = Standard  
\*Special options consult manufacturer

**1** **2** **3** **4** **5** **6**  
**CI61 06 P 1 V 00**

- 1 Series No.
- 2 No. of Circuits: 01 to 06
- 3 P = DIP Header
- 4 Plating: 1 = Tin over Nickel
- 5 Type: V = Straight
- 6 Other Options: 00 = Standard  
\*Special options consult manufacturer