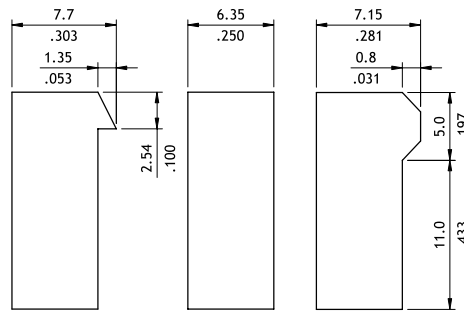
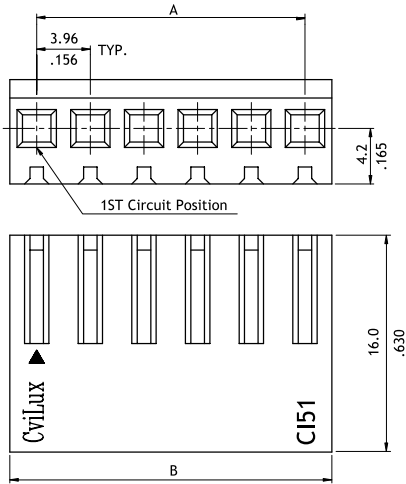


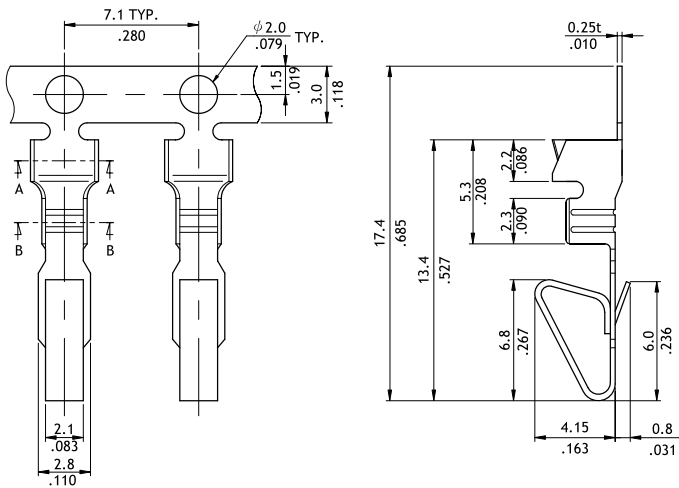
## CI51 Series 3.96mm(.156") Wire to Board Connectors

- ⊙ With locking ramps
- ⊙ Mate with CI51, CI77 header
- ⊙ Can be used CI51 crimp clip terminal
- ⊙ Insulator: Nylon 66 UL 94V-2 , Color Nature
- ⊙ Terminal: Tin plated Brass or Phosphor Bronze

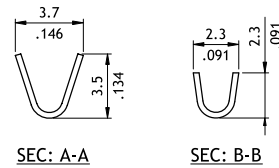


| Circuits | Dimension    |             |
|----------|--------------|-------------|
|          | A            | B           |
| 2        | 3.96(.156)   | 8.0(.315)   |
| 3        | 7.92(.312)   | 12.0(.472)  |
| 4        | 11.88(.468)  | 15.9(.626)  |
| 5        | 15.84(.624)  | 19.9(.783)  |
| 6        | 19.80(.780)  | 23.9(.941)  |
| 7        | 23.76(.935)  | 28.0(1.102) |
| 8        | 27.72(1.091) | 32.0(1.260) |
| 9        | 31.68(1.247) | 35.9(1.413) |
| 10       | 35.64(1.403) | 39.9(1.571) |
| 11       | 39.60(1.559) | 43.9(1.728) |
| 12       | 43.56(1.715) | 47.8(1.882) |
| 13       | 47.52(1.871) | 51.8(2.039) |
| 14       | 51.48(2.027) | 55.7(2.193) |
| 15       | 55.44(2.183) | 59.7(2.350) |
| 16       | 59.40(2.339) | 63.7(2.508) |
| 17       | 63.36(2.494) | 67.6(2.661) |
| 18       | 67.32(2.650) | 71.6(2.819) |
| 19       | 71.28(2.806) | 75.5(2.972) |
| 20       | 75.24(2.962) | 79.5(3.130) |

P/N:CI51\*\*S0000    P/N:CI51\*\*S000R    P/N:CI51\*\*S00DR



| Wire Range  | Insulation       | Reel Q'ty |
|-------------|------------------|-----------|
| AWG #18-#24 | 2.10 (.083) MAX. | 5,000 PCS |



### Ordering Code

**1** **2** **3** **4**  
**CI51 20 S 0000**

- 1** Series No.
- 2** No. of Circuits: 02 to 20
- 3** S = Housing
- 4** Other Options:  
 0000 = With locking Ramp(Standard)  
 000R = Without locking Ramp  
 00DR = Low force locking Ramp  
 \*Special options consult manufacturer

**1** **2** **3** **4** **5** **6**  
**CI51 T03 1 B E 0**

- 1** Series No.
- 2** Type: T03 = AWG #18-#24
- 3** Plating: 1 = Tin over Nickel
- 4** Material: B = Brass ; P = Phosphor Bronze
- 5** Plating method: E = Pre-tinned
- 6** Other Options:  
 0 = Standard