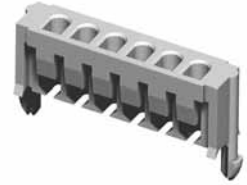
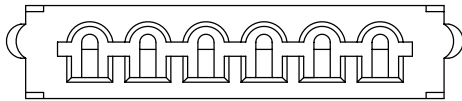


CI91 Series 2.50mm(.098") Straight Wire Holder Connectors

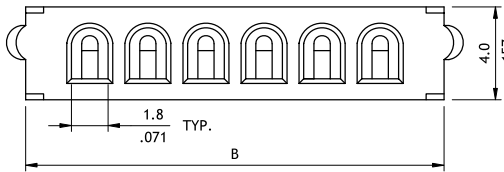
- ⦿ Low cost
- ⦿ With retaining PCB pegs
- ⦿ Insulator: Nylon 66 UL 94V-0 , Color Nature
- ⦿ Accommodated variety of cables
- ⦿ Accommodated AWG #24-#26 Cables



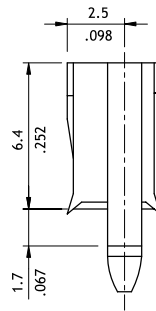
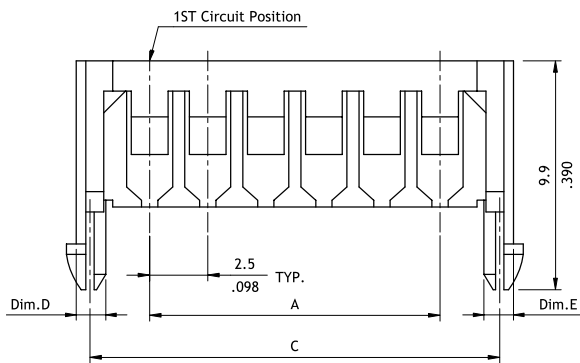
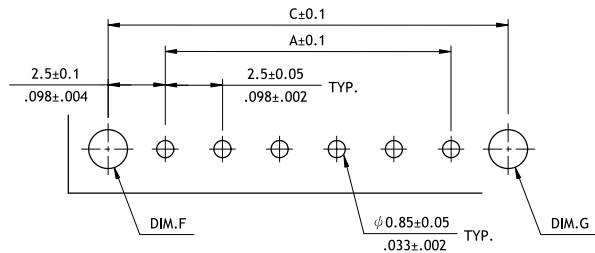
RoHS Compliant **HF**



P/N: CI91**SA000



P/N: CI91**SB000



A = 2.5 * No. of Spaces
 B = A + 5.3
 C = A + 5.0

ACCOMMODATED WIRE SIZE: AWG#24-#26			
Discrete Wire (Type 1)	Notched Flat Cable (Type 2)	Split Ribbon Cable (Type 3)	Stripped Flat Cable (Type 4)
P/N: CI91**SB000	P/N: CI91**SB000	P/N: CI91**SB000	P/N: CI91**SA000

Ordering Code

1 **2** **3** **4**
CI91 **15** **SA** **000**

- 1** Series No.
- 2** No. of Circuits:
02 to 15

- 3** Connector style:
SA = For Wire Type 4
SB = For Wire Type 1, 2, 3

- 4** Other Options:
000 = D = 1.60, E = 1.60, F = 1.75, G = 1.75
00B = D = 1.90, E = 1.60, F = 2.05, G = 1.75
*Special options consult manufacturer