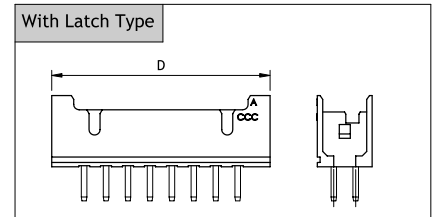
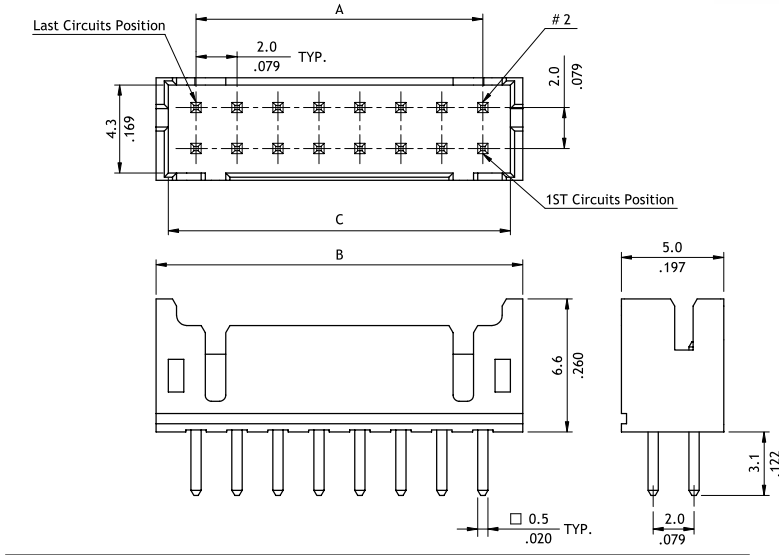
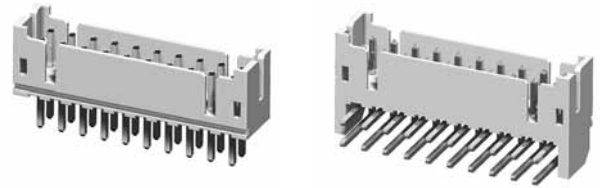
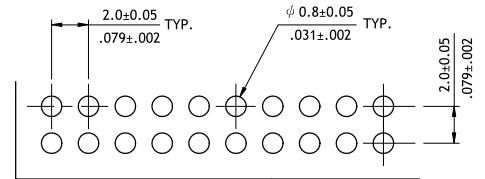


CI01 Series 2.00mm(.079") Dual Row Pin Headers

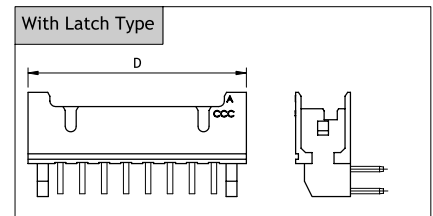
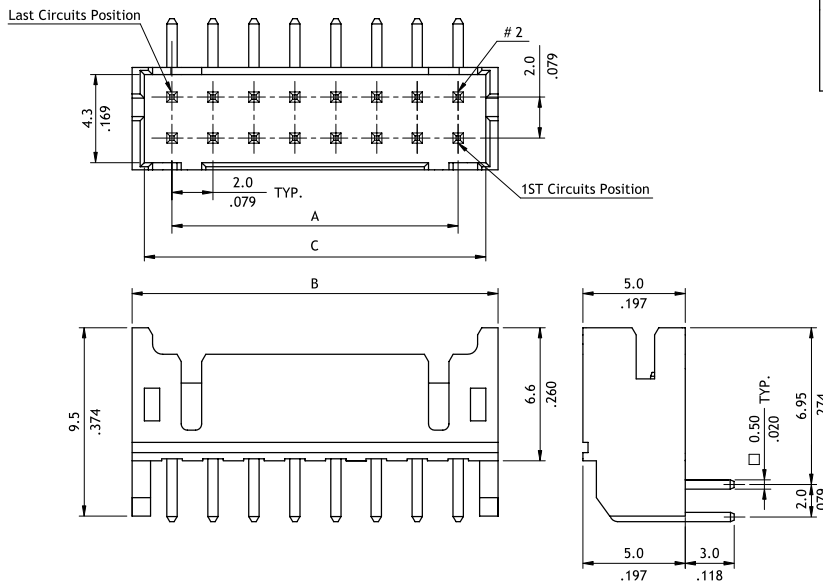
- ⊙ With locking slot
- ⊙ Mate with CI01 Dual row housing
- ⊙ Insulator: Polyamide UL 94V-0 , Color Nature
- ⊙ With Tin plated 0.5mm square pin



A = 2.0 x No. of Spaces
 B = A + 3.9
 C = A + 2.7
 D = A + 5.9



Recommended P.C. Board Layout



Ordering Code

1 **2** **3** **4** **5** **6** **7** **8**
CI01 16 P 1 V D 0 - LF

- 1** Series No.
- 2** No. of Circuits:
06 to 34
- 3** P = Pin header
- 4** Plating code:
1 = Tin over Nickel
- 5** Type: V = Straight
H = Right angle
- 6** D = Dual Row header
- 7** Other Options:
0 = Standard
L = With locking latch
- 8** Process:
-LF = For Lead Free soldering process
-NH = For Lead Free soldering process and Halogen-Free
* Special options consult manufacturer