

CI14 Series 1.00mm(.039") Wire to Board Connectors

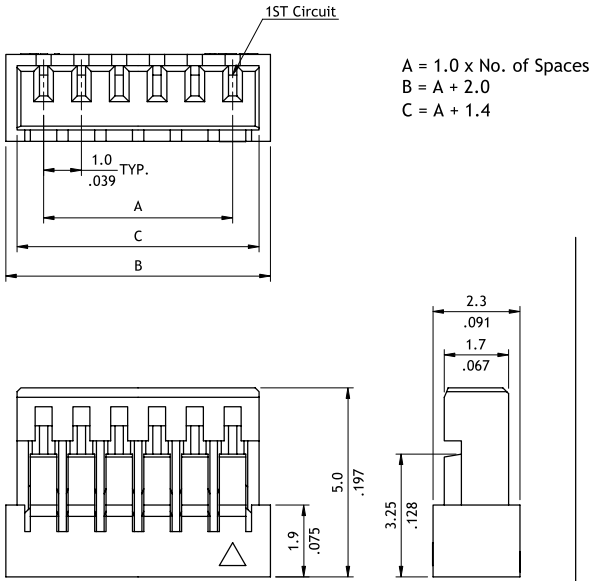
- ☉ Mate with CI14 Header
- ☉ Can be used CI14 crimp clip terminal
- ☉ Insulator: Glass filled polyester UL 94V-0, Color Nature

RoHS Compliant  

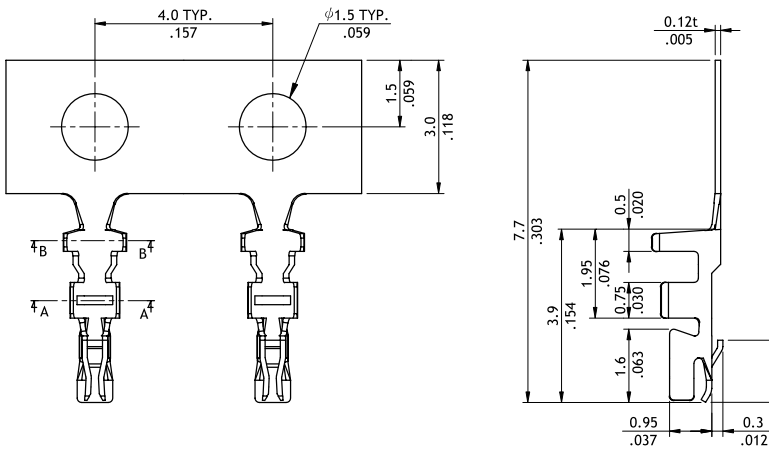
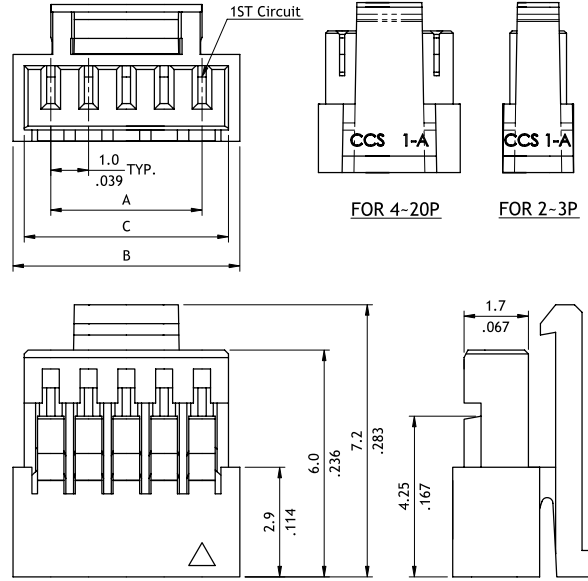


NEW

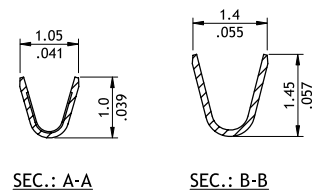
Without Latch Type



With Latch Type



Wire Range	Insulation Diameter	Reel Qty
AWG #28-#32	0.65-0.92(mm) (.026-.036)	16,000 PCS.



Ordering Code

1 **2** **3** **4** **5**
CI14 20 S 000A - NH

- 1** Series No.
- 2** No. of Circuits: 02 to 20
- 3** S = Connector Housing
- 4** Other Options:
000A = Without Locking Latch
L000 = With Locking Latch
- 5** Other Options: -NH = Halogen-Free

1 **2** **3** **4** **5** **6**
CI14 T01 1 P E 0

- 1** Series No.
- 2** Type: T01 = AWG#28-#32
- 3** Plating code: 1 = Tin over Nickel
- 4** Material: P = Phosphor Bronze
- 5** Plating method: E = Pre-tinned
- 6** Options: 0 = Standard