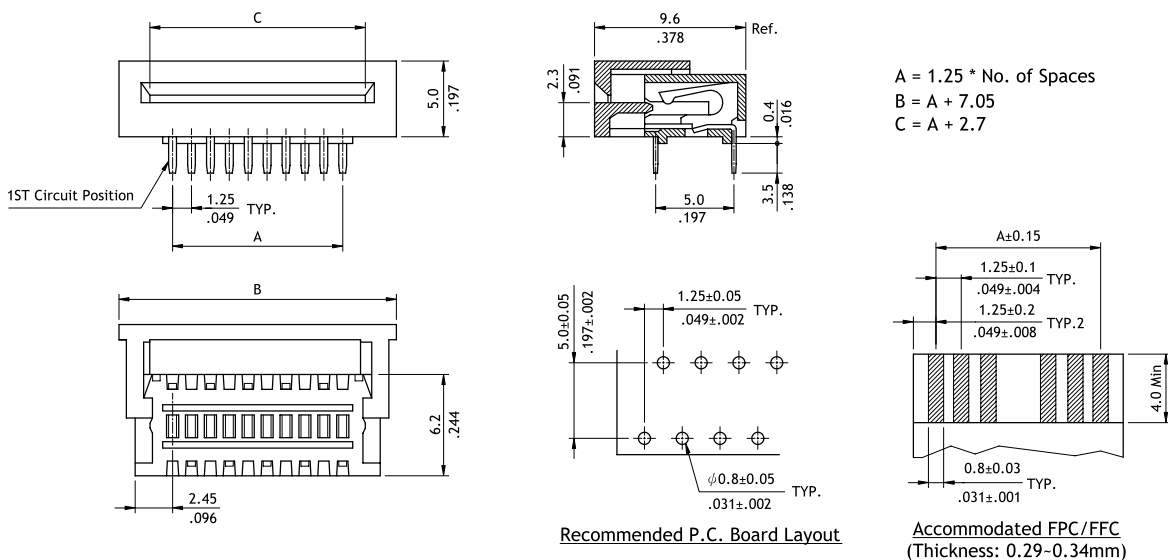
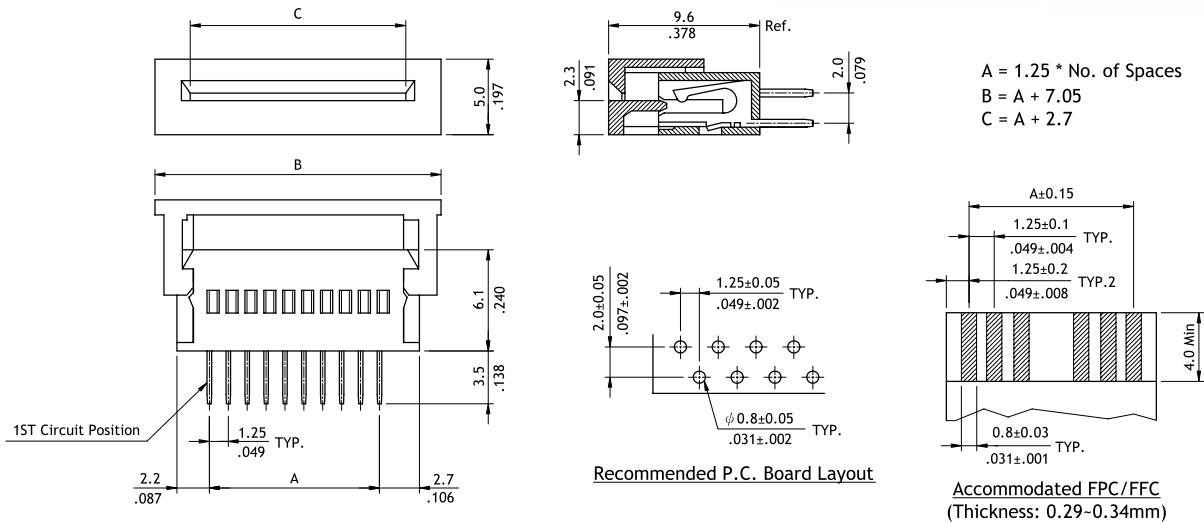


CF01 Series 1.25mm(.049") DIP ZIF FFC/FPC Connectors

© Insulator: Glass filled polyester UL 94V-0, Color Nature

RoHS Compliant



Ordering Code

① ② ③ ④ ⑤ ⑥
CF01 32 1 V 0 00

- ① Series No.
 ② Contacts : 03 to 32
 ③ Plating code:
 1 = Tin over Nickel

- ④ Entry Options:
 V = Straight
 H = Right angle
 ⑤ Color: 0 = Nature

- ⑥ Other Option:
 00 = Standard
 * Special options consult manufacturer