

Material:

Insulator: Glass filled Polyester UL 94V-0

Contact: Copper alloy

Shell: Steel, Tin plated as standard

Ordering Code

21W4 S0 S0 A 100 000
 ① ② ③ ④ ⑤ ⑥

① Series No.

② Connector Type:

S0= Receptacle

③ Contact tail Style:

S0= Solder Cup type

④ Signal Contact Plating:

A= Seletive Gold flash plated over Nickel

B= Seletive 15 μ " Gold plated over Nickel

C= Seletive 30 μ " Gold plated over Nickel

⑤ Insulator Color:

100= Black

600= Green

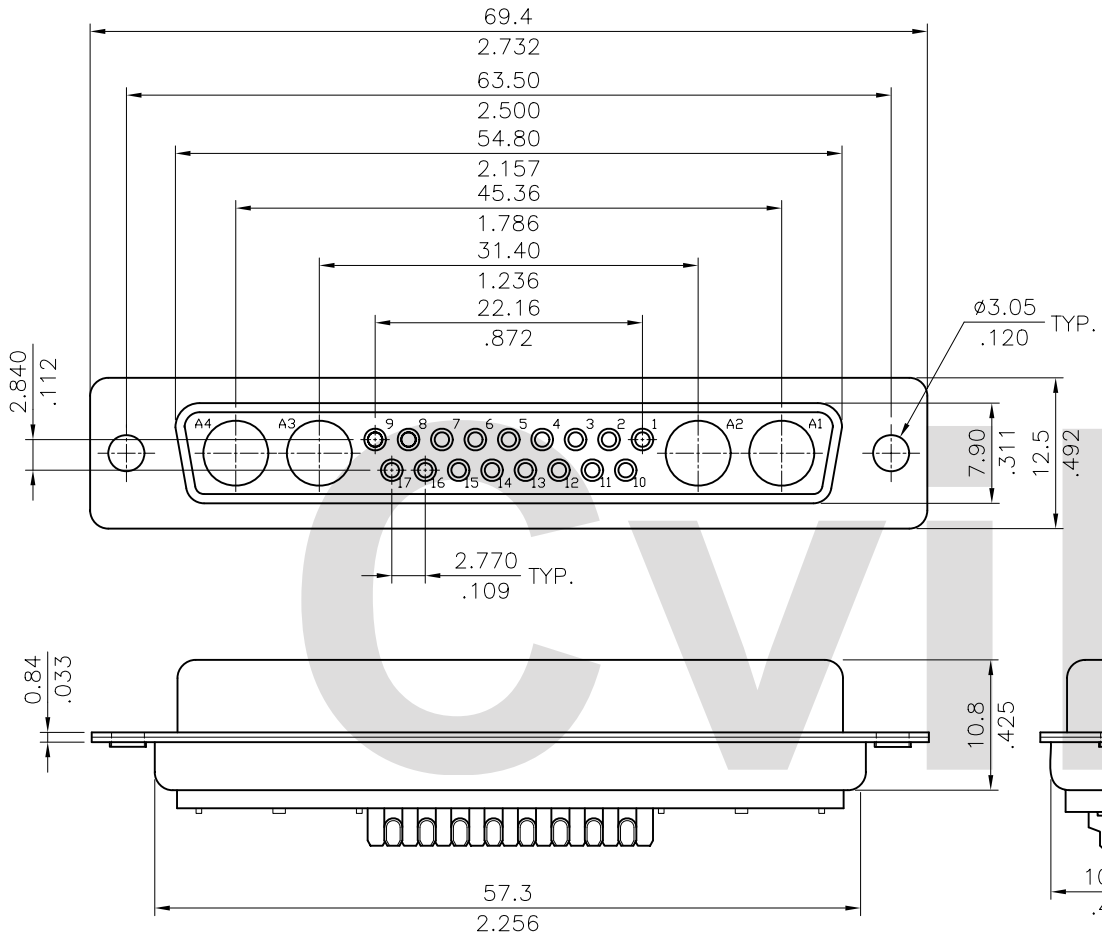
⑥ Mounting Style:

000= With ϕ 3.05mm holes on shell

A00= Riveted #4-40 UNC close nuts on front shell

B00= Riveted #4-40 UNC open nuts on front shell

C00= Riveted #4-40 UNC open nuts on rear shell



Mounting Style

RoHS Compliant

Code	000	Code	A00	Code	B00	Code	C00
			DIM. L= 5.8mm		DIM. L= 4.0mm		DIM. L= 4.0mm

4				DATE	UNIT: mm / inch	TITLE: 21W4 FEMALE COMBO D-SUB CONNECTOR (SOLDER CUP TYPE)	瀚荃股份有限公司 CviLux Corporation
3			DRAWN BY: James	11/18-02'	TOLERANCE UNLESS OTHERWISE SPECIFIED	MATERIAL:	
2			ENGINEER: David	11/19-02'	.X \pm 0.30/012	.X' \pm 1'	
1			CHECKED BY: David	11/19-02'	.XX \pm 0.20/008	.X' \pm	
SYM	NAME	DATE	APPROVED BY: Alex	11/19-02'	.XXX \pm 0.10/004	.XX' \pm	

CVILUX.CORP
 2001.10.22
 ISSUED

DRAWING NO.	21W402SC	PART NO.	21W4S0S0**00*00
SCALE	2 / 1	SHEET	1 OF 1