

Material:

Insulator: Glass filled Polyester UL 94V-0

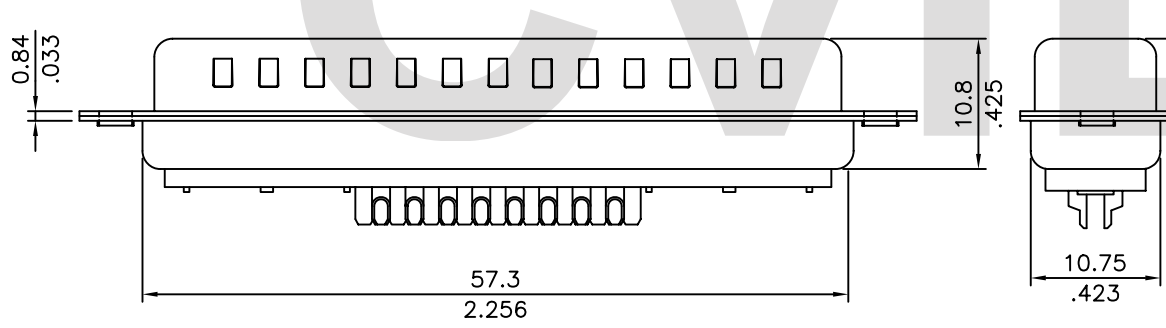
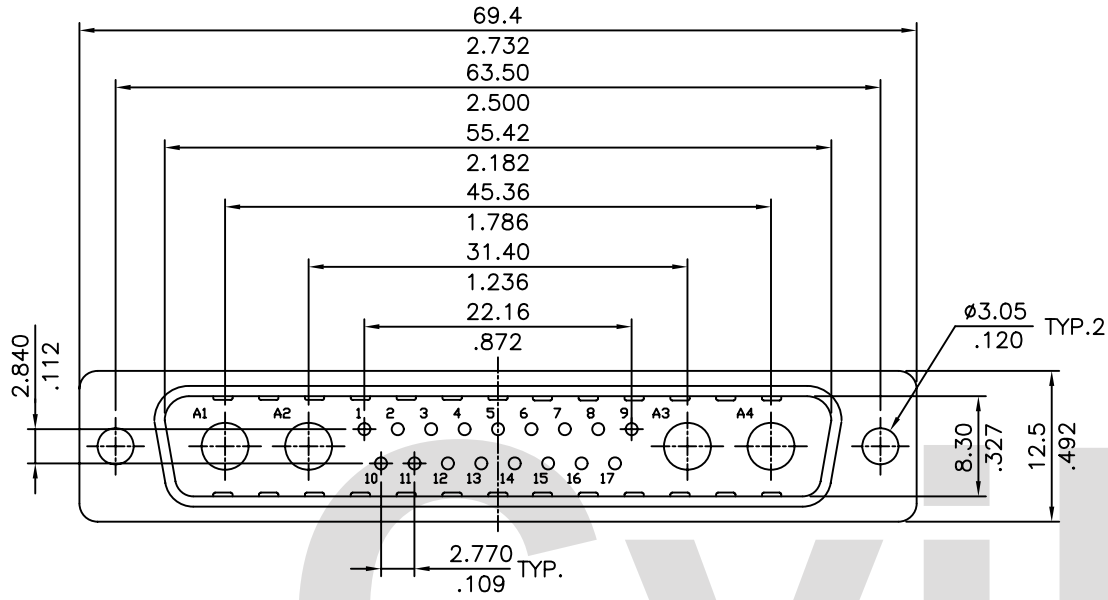
Contact: Brass

Shell: Steel, Tin plated as standard

Ordering Code

21W4 P0 S0 A 100 000
 ① ② ③ ④ ⑤ ⑥

- ① Series No.
- ② Connector Type:
P0= Plug
- ③ Contact tail Style:
S0= Solder Cup type
- ④ Singal Contact Plating:
A= Seletive Gold flash plated over Nickel
B= Seletive 15μ" Gold plated over Nickel
C= Seletive 30μ" Gold plated over Nickel
- ⑤ Insulator Color:
100= Black
600= Green
- ⑥ Mounting Style:
000= With ø3.05mm holes on shell
A00= Riveted #4-40 UNC close nuts on front shell
B00= Riveted #4-40 UNC open nuts on front shell
C00= Riveted #4-40 UNC open nuts on rear shell



Mounting Style

RoHS Compliant

Code	000	Code	A00	Code	B00	Code	C00
			DIM. L= 5.8mm		DIM. L= 4.0mm		DIM. L= 4.0mm

4				DATE	UNIT: mm / inch	TITLE: 21W4 MALE COMBO D-SUB CONNECTOR (SOLDER CUP TYPE)	株式会社 ヲウルク・エレクトロニクス CviLux Corporation	
3			DRAWN BY: James	11/18-02'	TOLERANCE UNLESS OTHERWISE SPECIFIED	MATERIAL:		
2			ENGINEER: David	11/19-02'	.X ±0.30/.012 X' ± 1'	DRAWING NO. 21W401SC PART NO. 21W4P0S0**00*00		
1			CHECKED BY: David	11/19-02'	.XX ±0.20/.008 .X' ±			SCALE 2 / 1
SYM	NAME	DATE	APPROVED BY: Alex	11/19-02'	.XXX ±0.10/.004 .XX' ±			SHEET 1 OF 1

CIVILUX.CORP
 2001.10.22
 ISSUED