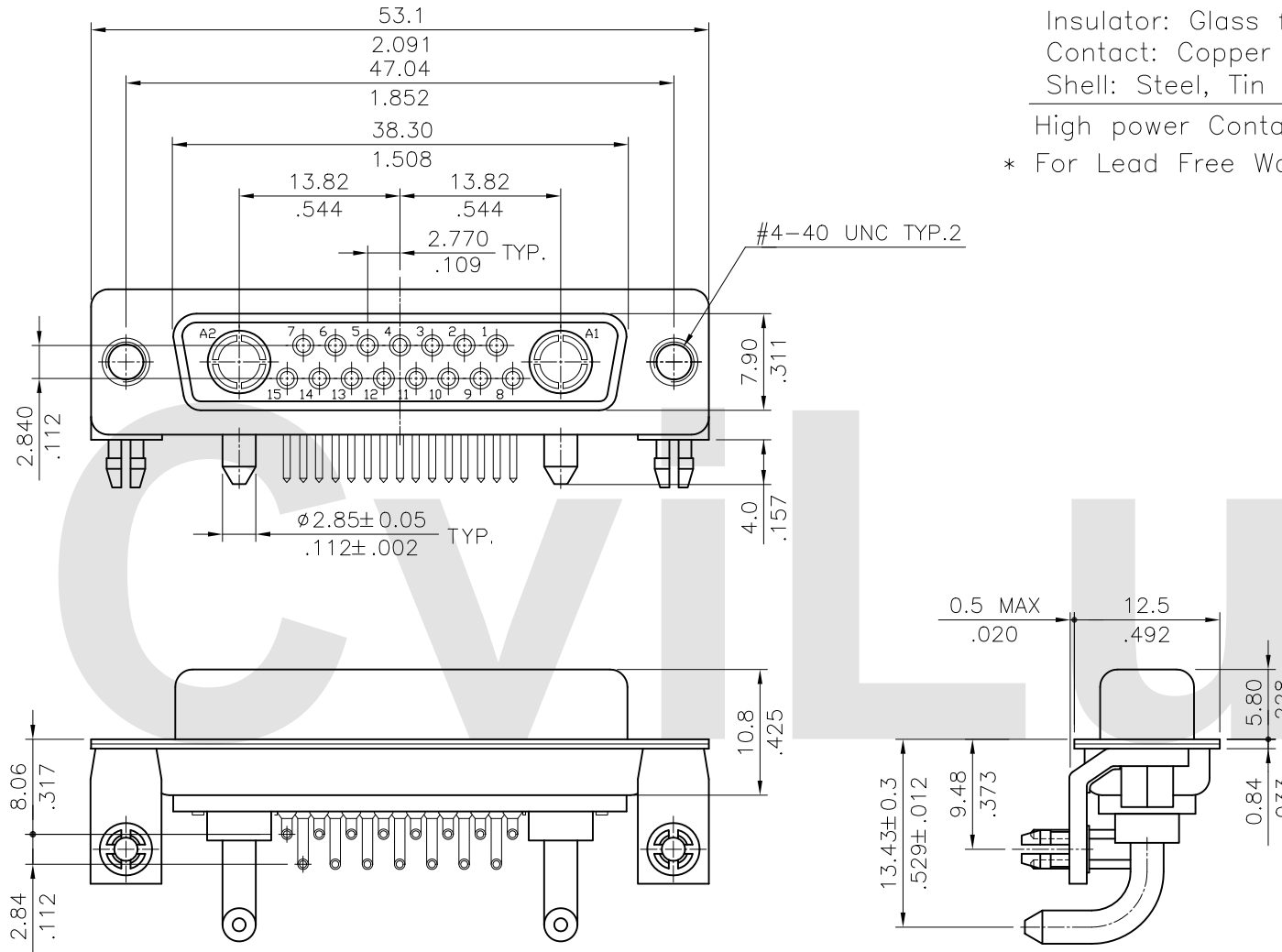


Notes:

Insulator: Glass filled Polyester UL 94V-0  
 Contact: Copper alloy  
 Shell: Steel, Tin plated as standard

High power Contact : Brass with Gold plated

\* For Lead Free Wave Flow Process



Lead Free Process  
 RoHS Compliant

	 2017.04.27 ISSUED			DRAWN BY: Karen		DATE: 4/20-17'	UNIT: mm / inch TOLERANCE UNLESS OTHERWISE SPECIFIED .X ± 0.30/.012 X: ± .XX ± 0.20/.008 .X: ± .XXX ± 0.10/.004 .XX: ±	TITLE: 17W2 20A HIGH POWER FEMALE D-SUB CONNECTOR (RIGHT ANGLE TYPE) MATERIAL: FINISH:	瀚荃股份有限公司 CviLux Corporation		
				ENGINEER: Sun		DATE: 4/21-17'					
				CHECKED BY: Eisley		DATE: 4/21-17'					
				APPROVED BY: Eisley		DATE: 4/21-17'					
SYM	NAME	DATE	REVISIONS					DRAWING NO. 17W212SC	PART NO. 17W2SPH***20***	SCALE 2 / 1	SHEET 1 OF 2

# Ordering Code

17W2 S P H 3 2 1 20 110  
 ① ② ③ ④ ⑤ ⑥ ⑦ ⑧ ⑨

- ① Series No.
- ② Connector Type: S= Receptacle
- ③ Contact type: P= High Power Contact
- ④ Contact tail style: H= Right Angle Dip type
- ⑤ High power contact plating:

2= Gold flash plated over Nickel  
 3= 15μ" Gold plated over Nickel  
 4= 30μ" Gold plated over Nickel  
 5= 50μ" Gold plated over Nickel

- ⑥ Signal contact plating:

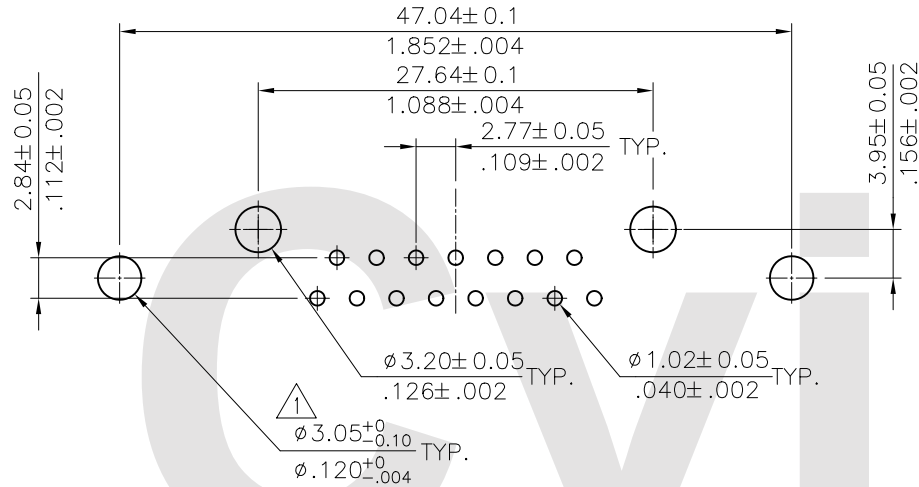
2= Gold flash plated over Nickel  
 3= 15μ" Gold plated over Nickel  
 4= 30μ" Gold plated over Nickel

- ⑦ Insulator color: 1= Black, 6= Green

- ⑧ Performance: 20= 20A

- ⑨ Mounting Style:

000= With ø3.05mm holes on shell  
 B00= Riveted #4-40 UNC open nuts on front shell  
 C00= Riveted #4-40 UNC open nuts on rear shell  
 I00= Riveted #4-40 UNC ground tabs with ø3.2mm holes  
 I10= Riveted #4-40 UNC ground tabs with board locks(standard)



Recommended P.C Board Layout

Lead Free Process

RoHS Compliant

Mounting Style		Code 000		Code B00		Code C00		Code I00		Code I10	
		DIM. L= 4.0mm		DIM. L= 4.0mm		øA=3.2mm					

④					DATE	UNIT: mm / inch	TITLE: 17W2 20A HIGH POWER FEMALE D-SUB CONNECTOR (RIGHT ANGLE TYPE)	瀚荃股份有限公司 CviLux Corporation
③				DRAWN BY: Karen	4/20-17'	TOLERANCE UNLESS OTHERWISE SPECIFIED	MATERIAL:	
②				ENGINEER: Sun	4/21-17'	.X ± 0.30/.012 X: ±	FINISH:	
①	Karen	4/18-17'	ECNT117049/ECRT117003	CHECKED BY: Eisley	4/21-17'	.XX ± 0.20/.008 .X: ±	DRAWING NO. 17W212SC PART NO. 17W2SPH***20***	
SYM	NAME	DATE	REVISIONS	APPROVED BY: Eisley	4/21-17'	.XXX ± 0.10/.004 .XX: ±	SCALE 2 / 1	SHEET 2 OF 2

CVILUX CORP  
 2017.04.27  
 ISSUED