

Material:
 Insulator: Glass filled Polyester UL 94V-0
 Contact: Copper alloy
 Shell: Steel, Tin plated as standard

High power Contact :
 Brass with Gold plated
 #4-40 UNC TYP.2

Ordering Code

17W2 S P V 3 2 1 40 D00
 ① ② ③ ④ ⑤ ⑥ ⑦ ⑧ ⑨

- ① Series No.
- ② Connector Type: S= Receptacle
- ③ Contact type: P= High Power Contact
- ④ Contact tail style: V= Straight Dip type
- ⑤ High Power contact plating:

- 2= Gold flash plated over Nickel
- 3= 15μ" Gold plated over Nickel
- 4= 30μ" Gold plated over Nickel
- 5= 50μ" Gold plated over Nickel

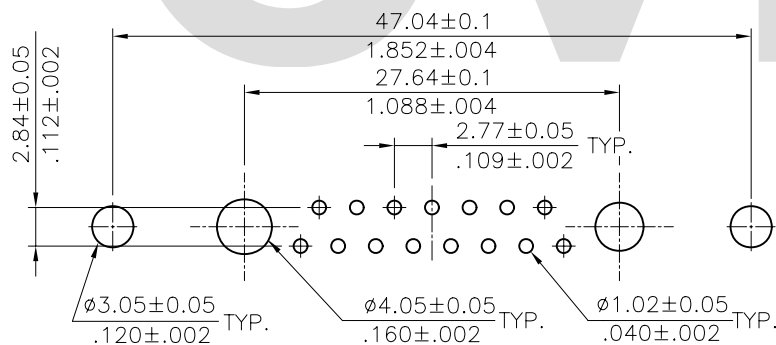
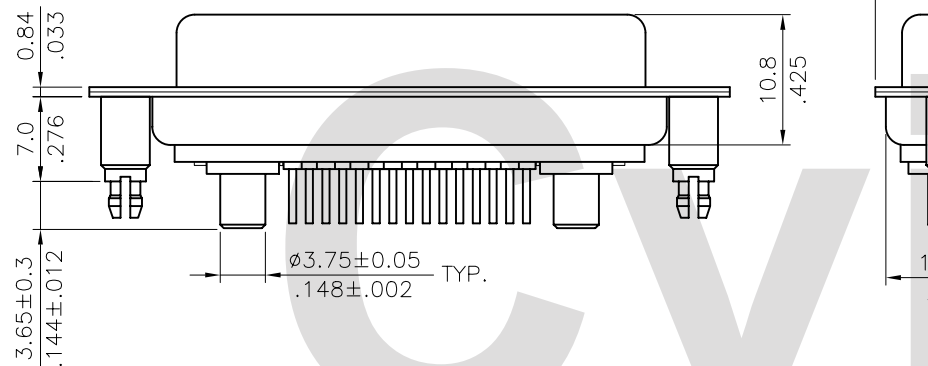
- ⑥ Signal contact plating:
- 2= Gold flash plated over Nickel
- 3= 15μ" Gold plated over Nickel
- 4= 30μ" Gold plated over Nickel

- ⑦ Insulator color: 1= Black, 6= Green

- ⑧ Performance: 40= 40A

- ⑨ Mounting Style:

- 000= With ø3.05mm holes on shell
- B00= Riveted #4-40 UNC open nuts on front shell
- C00= Riveted #4-40 UNC open nuts on rear shell
- D00= Riveted #4-40 UNC ground stand-off on rear shell(standard)



Recommended P.C Board Layout

Mounting Style

RoHS Compliant

Code	000	Code	B00	Code	C00	Code	D00
			DIM. L= 4.0mm		DIM. L= 4.0mm		DIM. L= 7.0mm

4					DATE	UNIT: mm / inch	TITLE: 17W2 40A HIGH POWER FEMALE D-SUB CONNECTOR (TOP ENTRY BOARD MOUNT TYPE)	瀚荃股份有限公司 CviLux Corporation
3				DRAWN BY: Rita	10/18-01'	TOLERANCE UNLESS OTHERWISE SPECIFIED	MATERIAL:	
2				ENGINEER: David	10/19-01'	.X ± 0.30/.012 X: ± 1'	FINISH:	
1				CHECKED BY: David	10/19-01'	.XX ± 0.20/.008 X: ±		
SYM	NAME	DATE	REVISIONS	APPROVED BY: Alex	10/19-01'	.XXX ± 0.10/.004 X: ±	DRAWING NO. 17W210SB PART NO. 17W2SPV***40*00	SCALE 2 / 1 SHEET 1 OF 1

