

DETAIL A

Note:

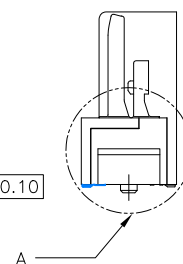
Material:

- * Insulation: LCP UL 94V-0
- * Contact: Phosphor Bronze
- * Latch: Steel (SUS)

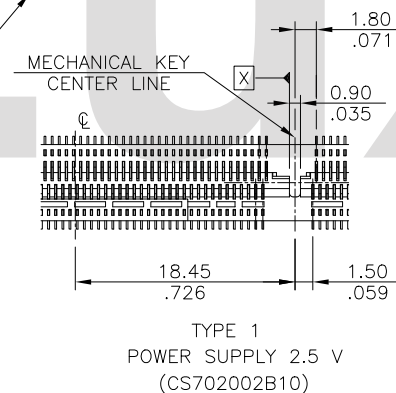
Ordering Code:

CS70 200 2 B *0
 ① ② ③ ④ ⑤

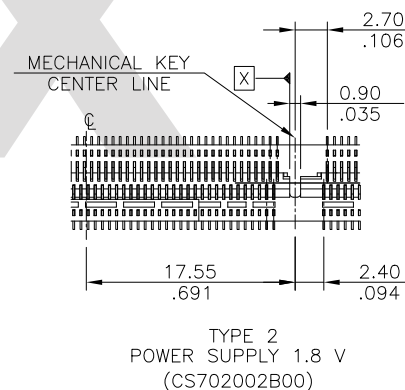
- ① Series No.
- ② No. of Circuits:
- ③ Plating :
2= Gold flash over 50u" Nickel
- ④ Type : B type
- ⑤ Option : 00=Type 2 (Power Supply 1.8V)
10=Type 1 (Power Supply 2.5V)



A



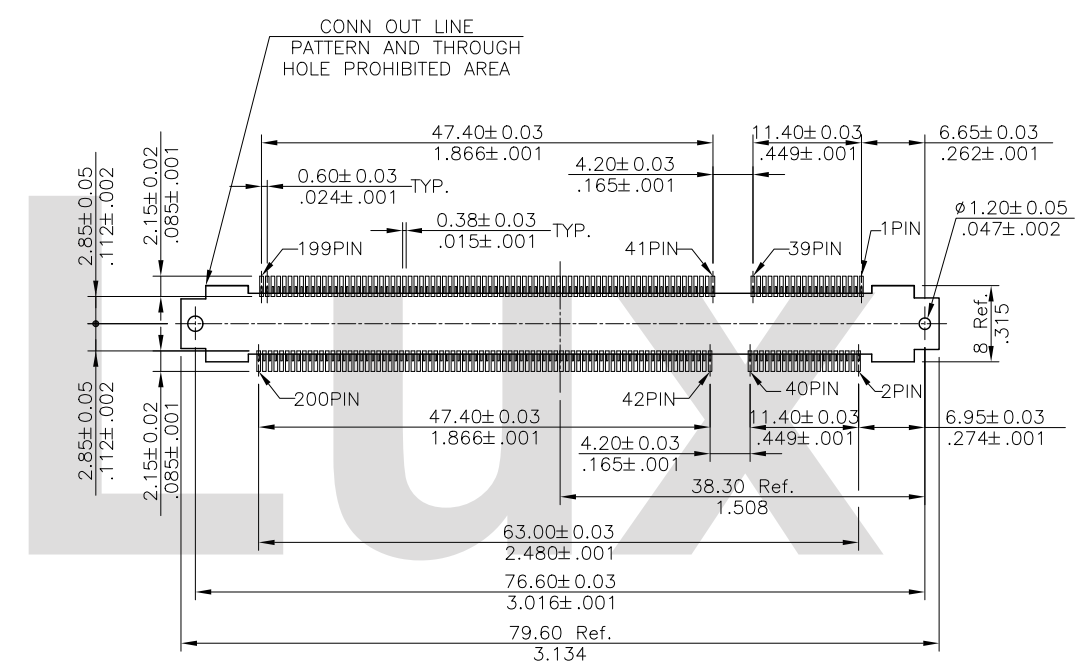
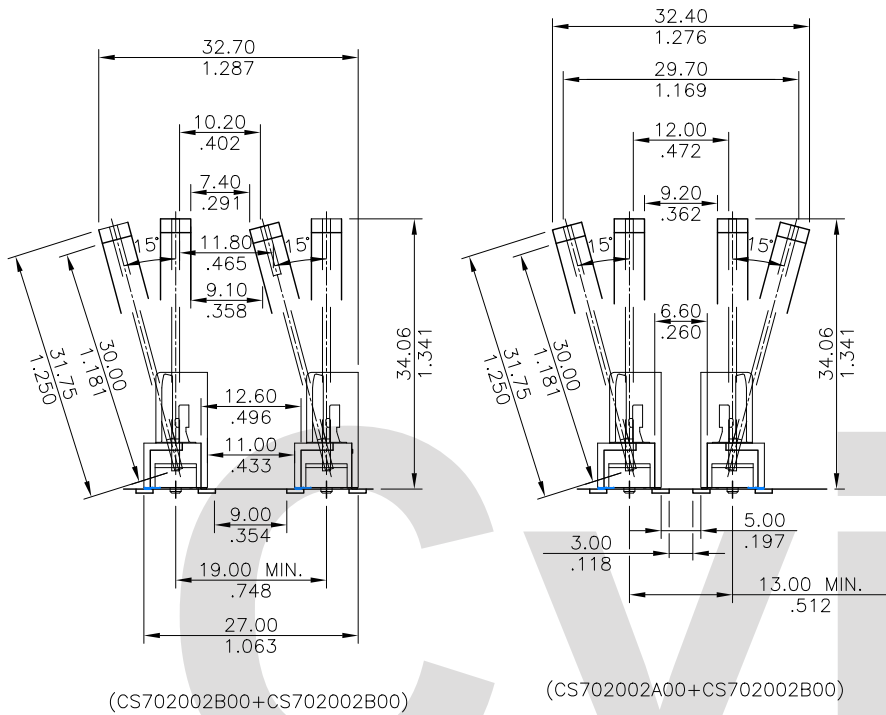
TYPE 1
POWER SUPPLY 2.5 V
(CS702002B10)



TYPE 2
POWER SUPPLY 1.8 V
(CS702002B00)

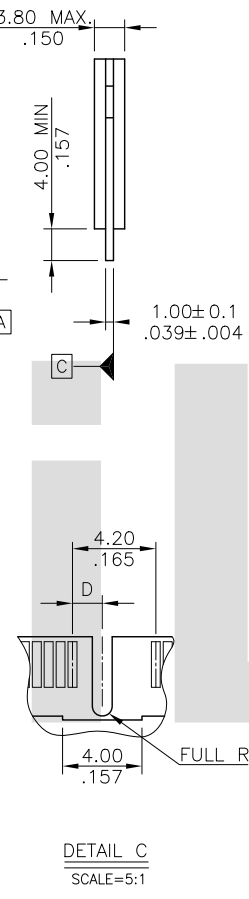
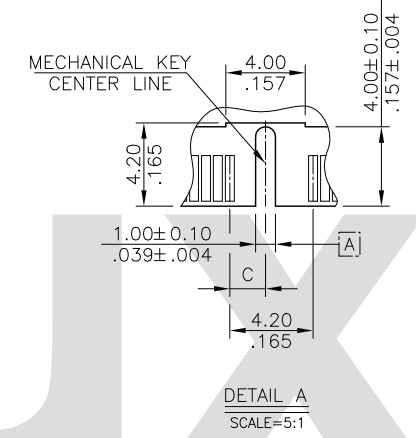
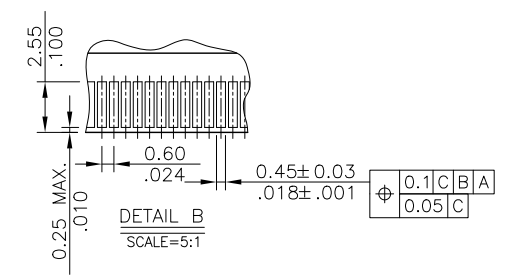
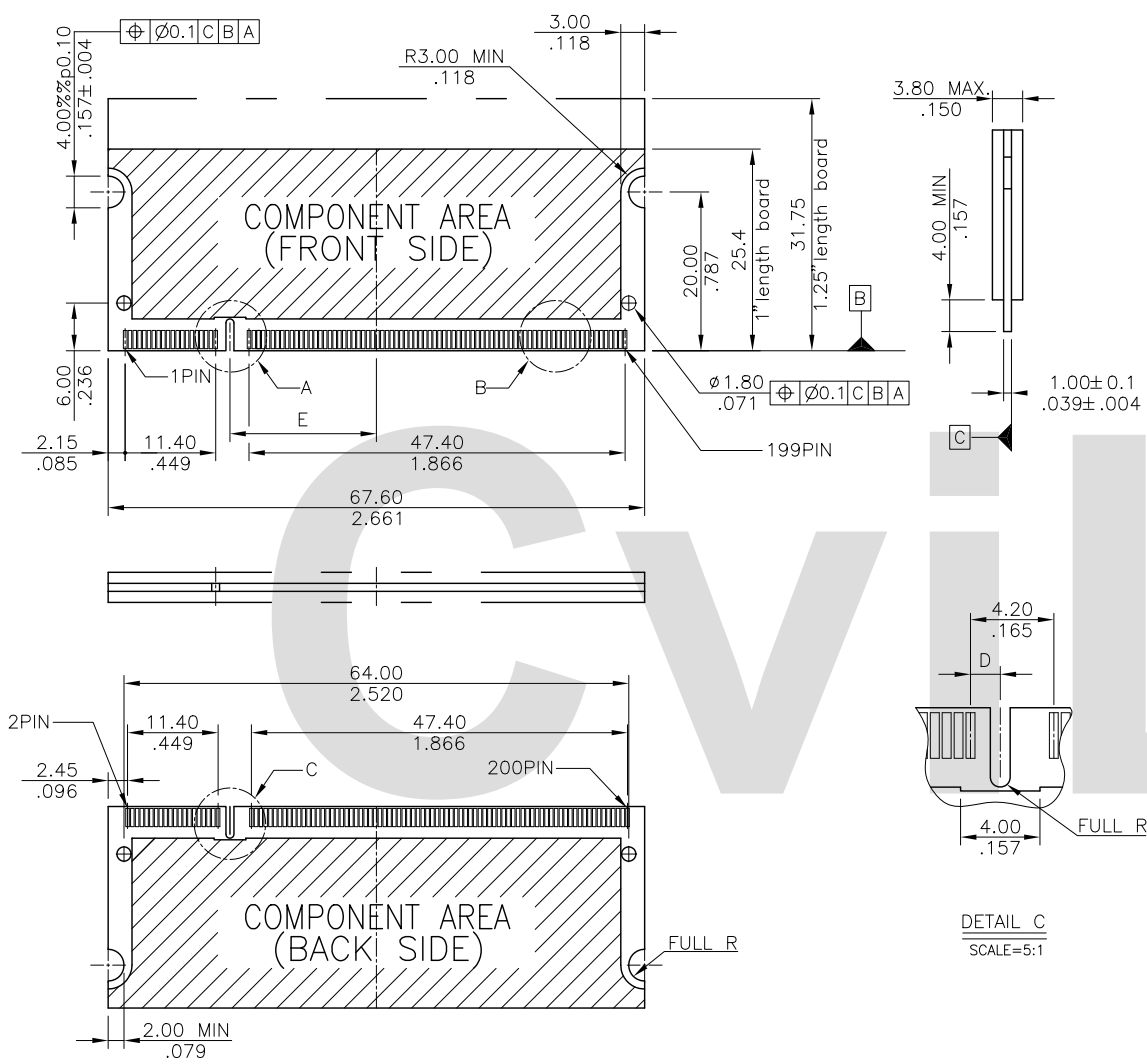
DETAIL C
MECHANICAL KEY TYPE

4						DATE	UNIT: mm / inch	TITLE:	 瀚荃股份有限公司 CviLux Corporation
3					DRAWN BY: Enya	10/23-12'	TOLERANCE UNLESS OTHERWISE SPECIFIED	DDR S.O DIMM SOCKET.(200PIN.)	
2					ENGINEER: Eisley	10/26-12'	.X ± - / - X' ± 3'	MATERIAL:	
1					CHECKED BY: Eisley	10/26-12'	.XX ± 0.20 / .009 .X' ±	FINISH:	
SYM	NAME	DATE	REVISIONS		APPROVED BY: David	10/26-12'	.XXX ± - / - .XX ±		
			DRAWING NO.	CS7002SA	PART NO.	CS702002B*0		DRAWING NO. CS7002SA PART NO. CS702002B*0	
			SCALE	1 / 1	SHEET 1 OF 4				



RECOMMENDED MOUNTING
P.C. BOARD PATTERN LAYOUT DIM.

4						DATE	UNIT: mm / inch	TITLE:	 瀚荃股份有限公司 CviLux Corporation
3			DRAWN BY: Enya		10/23-12'	TOLERANCE	DDR S.O DIMM SOCKET.(200PIN.)	MATERIAL:	
2			ENGINEER: Eisley		10/26-12'	UNLESS OTHERWISE SPECIFIED			
1			CHECKED BY: Eisley		10/26-12'	.X ± - / - X: ± 3'	FINISH:	DRAWING NO. CS7002SA	PART NO. CS702002B*0
SYM	NAME	DATE	APPROVED BY: David		10/26-12'	.XX ± 0.20 / .009 X: ±		SCALE 1 / 1	SHEET 2 OF 4



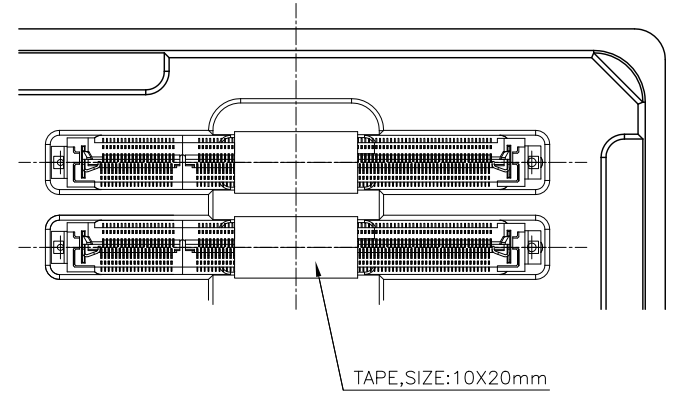
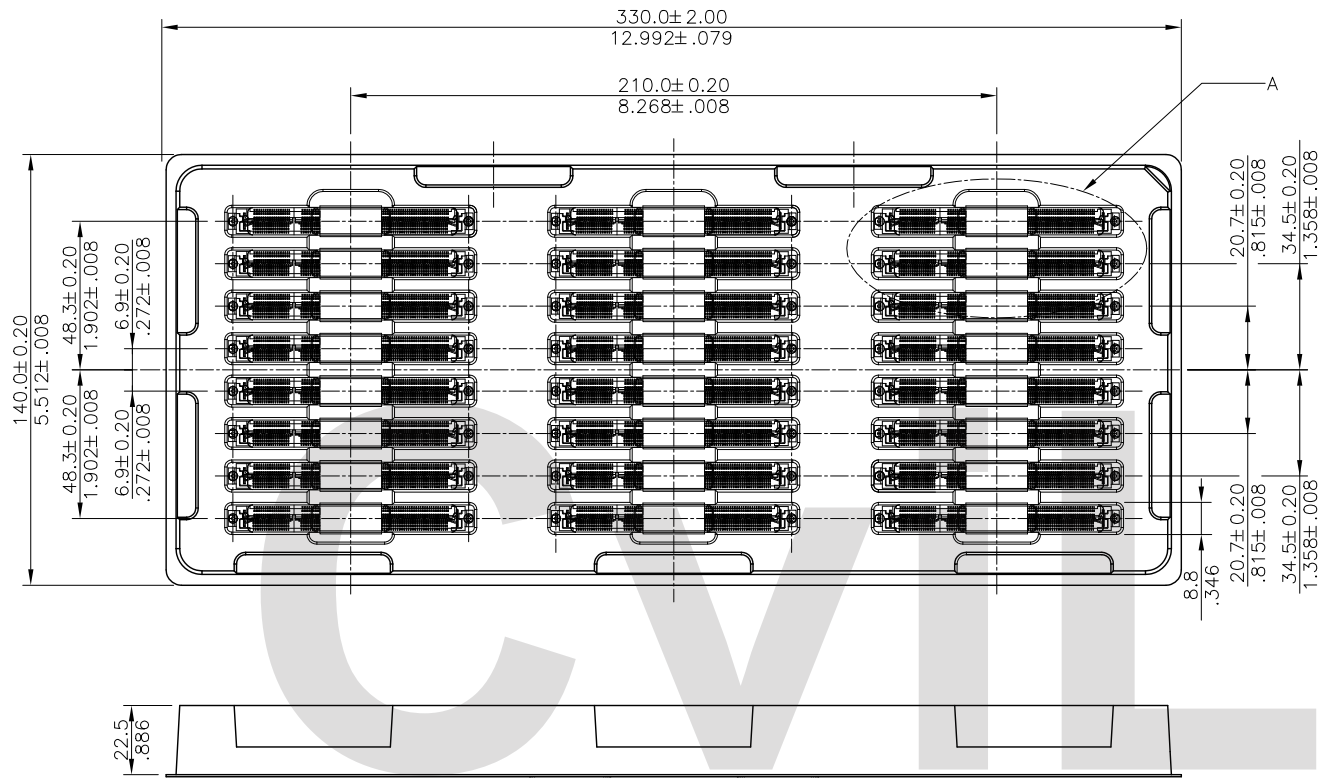
Cvlux P/N	POWER SUPPLY	Dimension		
		C	D	E
CS702002B00	1.8V	2.70(.106)	2.40(.094)	17.55(.691)
CS702002B10	2.5V	1.80(.071)	1.50(.059)	18.45(.726)

RECOMMENDED MATING
P.C. BOARD DIM.

4					DATE	UNIT: mm / inch	TITLE:
3					DRAWN BY: Enya	TOLERANCE	DDR S.O DIMM SOCKET.(200PIN.)
2					ENGINEER: Eisley	UNLESS OTHERWISE SPECIFIED	MATERIAL:
1					CHECKED BY: Eisley	.X ± - / - X: ± 3'	FINISH:
SYM	NAME	DATE	REVISIONS	APPROVED BY: David	10/26-12'	.XX ± 0.20 / .009 X: ±	
					10/26-12'	.XXX ± - / - .XX ±	



DRAWING NO.	CS7002SA	PART NO.	CS702002B*0
SCALE	1 / 1	SHEET	3 OF 4




DETAIL A

NOTE :

Quantity : 24 PCS/TRAY



4				DATE	UNIT: mm / inch		TITLE: DDR S.O DIMM SOCKET.(200PIN.)	 瀚荃股份有限公司 CviLux Corporation					
					DRAWN BY: Enya	10/23-12'						TOLERANCE	
												UNLESS OTHERWISE SPECIFIED	
												.X ± /	X' ±
2				ENGINEER: Eisley	10/26-12'	.XX ± /	.X' ±	MATERIAL:	DRAWING NO. CS7002SA	PART NO. CS702002B*0			
1				CHECKED BY: Eisley	10/26-12'	.XXX ± /	.XX' ±	FINISH:	SCALE 1 / 1	SHEET 4 OF 4			
SYM	NAME	DATE	REVISIONS	APPROVED BY: David	10/26-12'								