

Note:

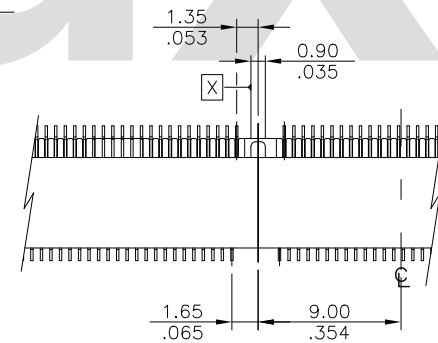
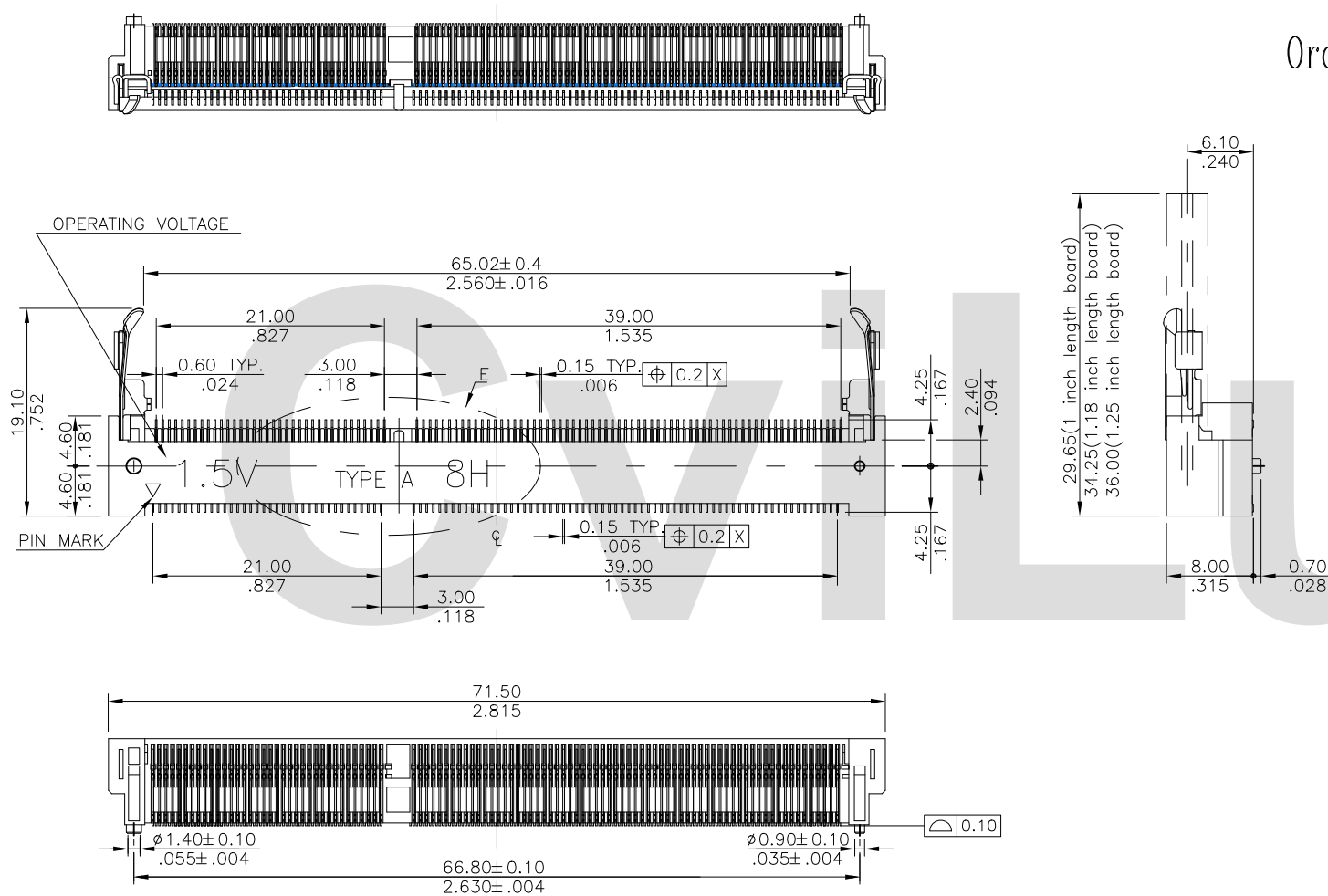
Material:

- \* Insulation: LCP UL 94V-0
- \* Contact: Copper alloy
- \* Latch: Steel (SUS)


Ordering Code:

CS69 204 2 A A0 - \*0  
 ① ② ③ ④ ⑤ ⑥

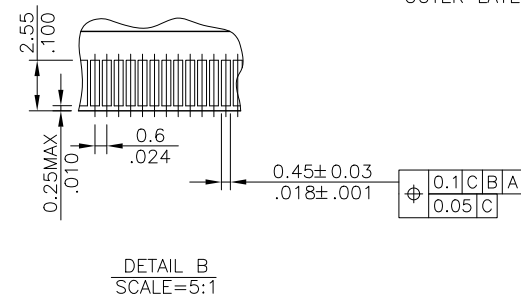
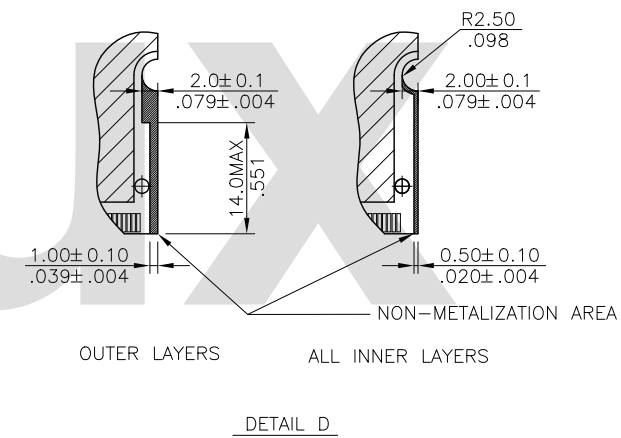
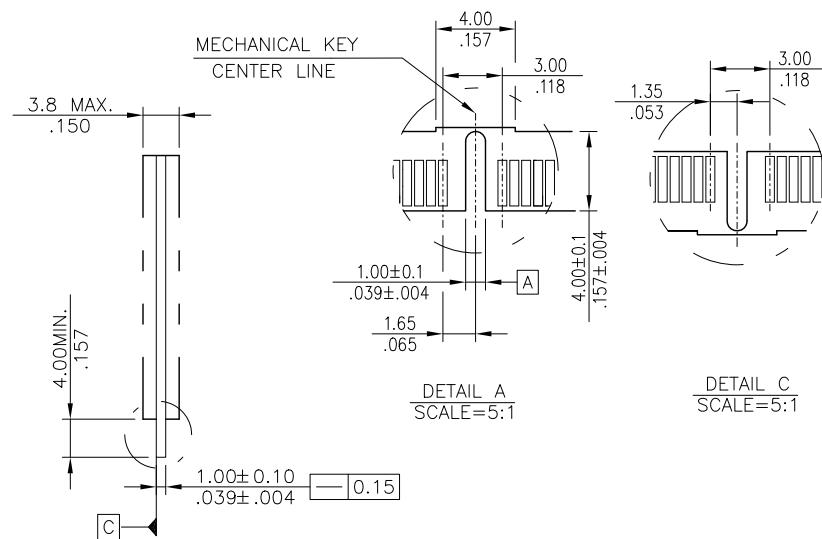
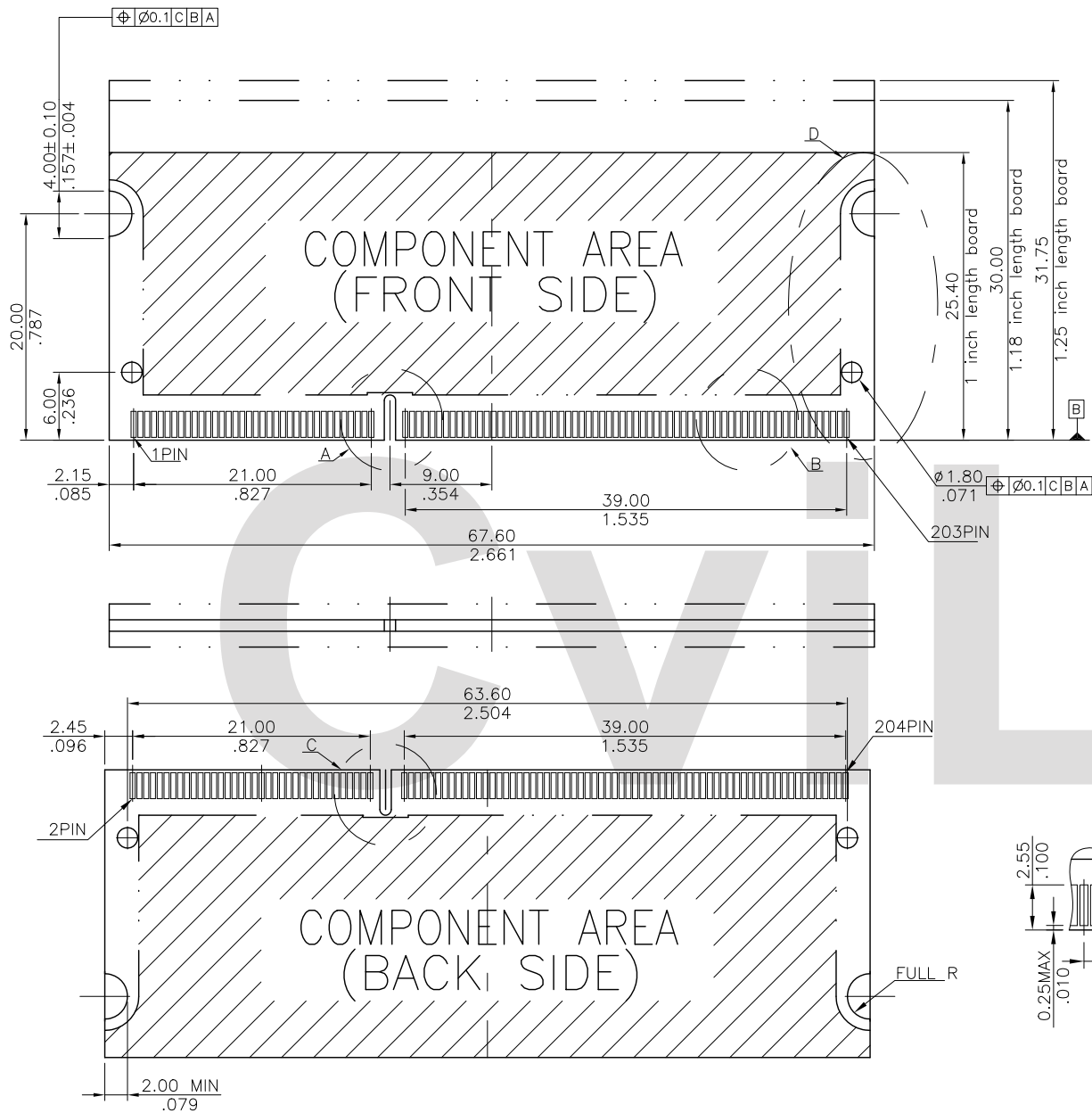
- ① Series No.
- ② No. of Circuits:
- ③ Plating :  
2= Gold flash over 50u" Nickel
- ④ Height : A=8.0mm
- ⑤ Type : A0= A type
- ⑥ Option: 00= Standard(Tray Packing)  
R0=Reel Packing




CVILUX CORP  
 2012.12.07  
 ISSUED

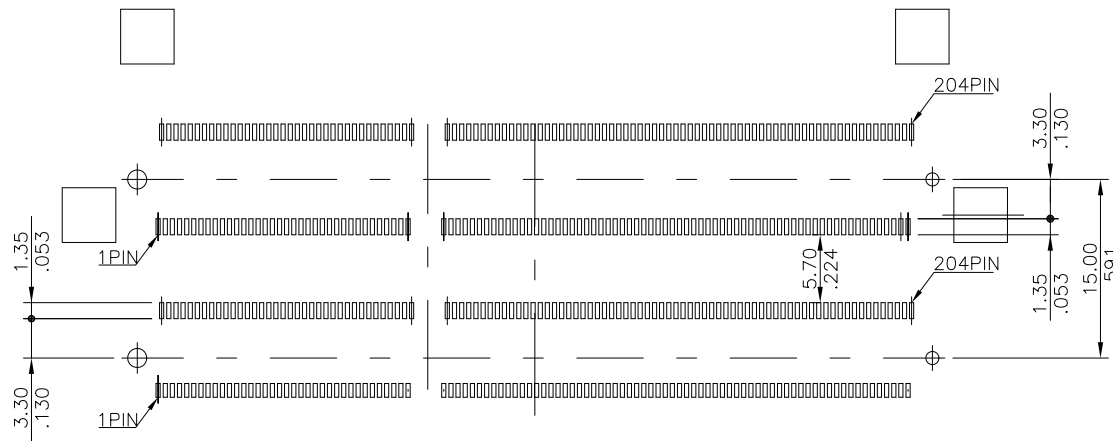
④					DATE	UNIT: mm / inch	TITLE:	 瀚荃股份有限公司 CviLux Corporation
③				DRAWN BY: Enya	11/06-12'	TOLERANCE UNLESS OTHERWISE SPECIFIED	DDR S.O DIMM SOCKET.(DDR3)	
②				ENGINEER: Eisley	11/07-12'	.X ± - / -    .X' ± 3'	MATERIAL:	
①				CHECKED BY: Eisley	11/07-12'	.XX ± 0.20 / .009    .X' ±	FINISH:	
SYM	NAME	DATE	REVISIONS	APPROVED BY: David	11/07-12'	.XXX ± - / -    .XX ±	DRAWING NO. CS6904SA	PART NO. CS692042AA0-*0
							SCALE 1 / 1	SHEET 1 OF 6



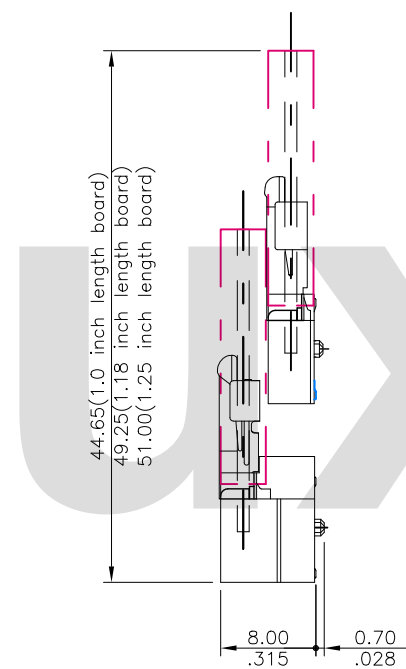
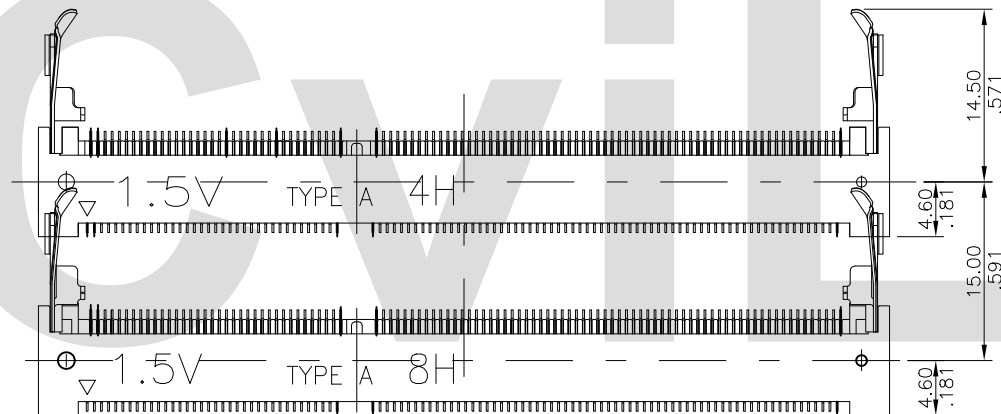


4					DATE	UNIT: mm / inch	TITLE:	 瀚荃股份有限公司 CviLux Corporation	DRAWING NO. CS6904SA	PART NO. CS692042AA0-#0
3				DRAWN BY: Enya	TOLERANCE UNLESS OTHERWISE SPECIFIED	DDR S.O DIMM SOCKET.(DDR3)				
2				ENGINEER: Eisley	.X ± - / - .X' ± 3'	MATERIAL:				
1				CHECKED BY: Eisley	.XX ± 0.15 / .006 .X' ±	FINISH:				
SYM	NAME	DATE	REVISIONS	APPROVED BY: David	11/07-12'	.XXX ± - / - .XX' ±		SCALE	1 / 1	SHEET 3 OF 6

CIVILUX CORP  
 2012.12.07  
 ISSUED



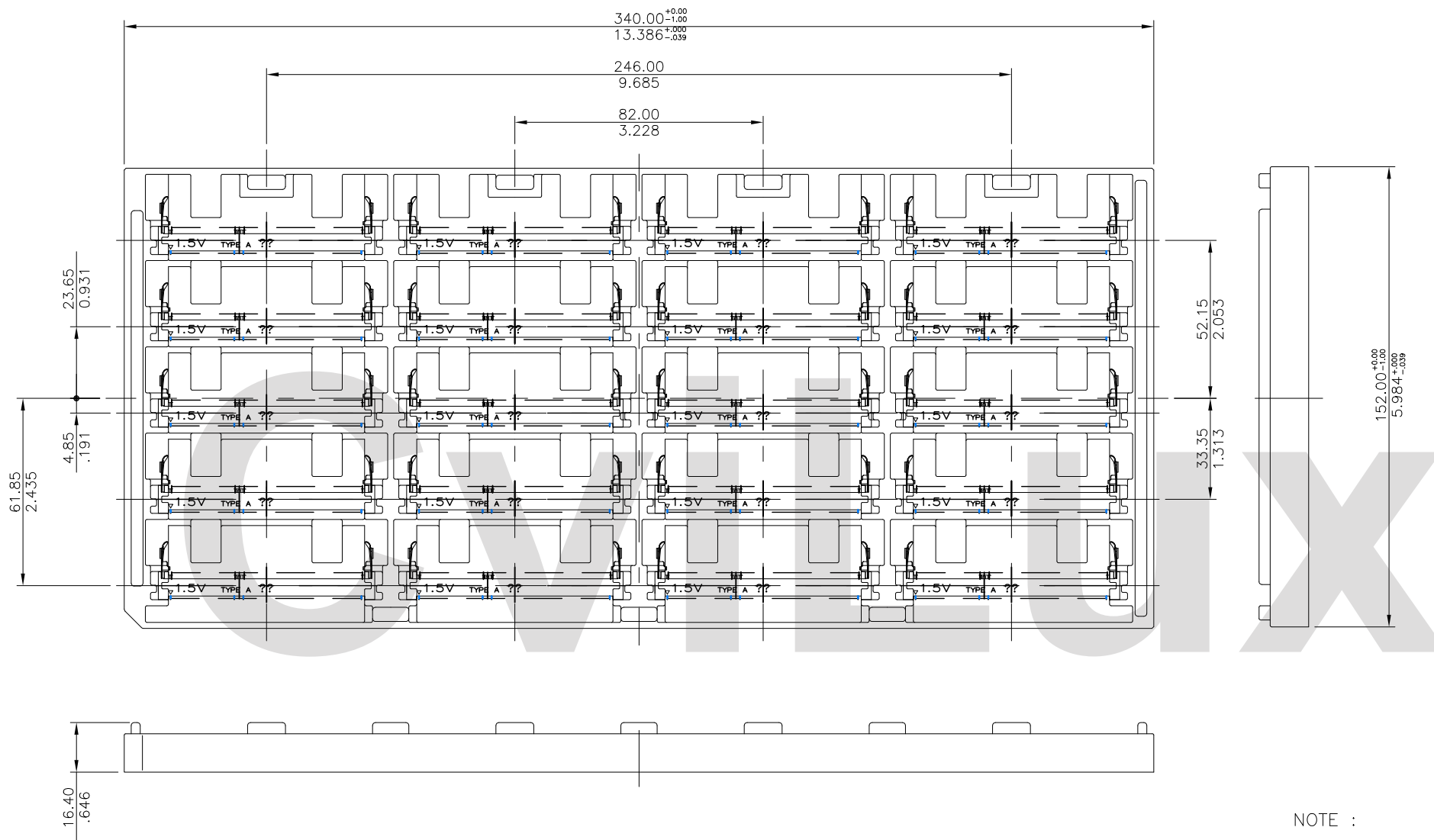
RECOMMENDED MOUNTING  
P.C. BOARD PATTERN LAYOUT DIM.



Combination Dimension for H=4.0 connector

(Only the combination of the P/N: CS692042BA0(H=4.0) and CS692042AA0(H=8.0) is possible.)

			 <b>2012.12.07</b> <b>ISSUED</b>		DATE	UNIT: mm / inch		TITLE:	 瀚荃股份有限公司 CviLux Corporation	
				DRAWN BY: Enya	11/06-12'	TOLERANCE UNLESS OTHERWISE SPECIFIED		DDR S.O DIMM SOCKET.(DDR3)		
				ENGINEER: Eisley	11/07-12'	.X ± - / -	X' ± 3'	MATERIAL:		
				CHECKED BY: Eisley	11/07-12'	.XX ± 0.20 / .009	.X' ±	FINISH:		
SYM	NAME	DATE	REVISIONS	APPROVED BY: David	11/07-12'	.XXX ± - / -	.XX ±		DRAWING NO. CS6904SA	PART NO. CS692042AA0-*0
								SCALE	1 / 1	SHEET 4 OF 6



HARD TRAY PACKAGING

NOTE :

Quantity : 20 PCS/TRAY

<table border="1"> <tr><td>4</td></tr> <tr><td>3</td></tr> <tr><td>2</td></tr> <tr><td>1</td></tr> </table>	4	3	2	1		DATE 11/06-12' 11/07-12' 11/07-12' 11/07-12'	UNIT: mm / inch TOLERANCE UNLESS OTHERWISE SPECIFIED .X ± / X' ± 3" .XX ± 0.50 / .020 X' ± .XXX ± / .XX ±	TITLE: DDR S.O DIMM SOCKET.(DDR3) MATERIAL: FINISH:		瀚荃股份有限公司 CviLux Corporation	DRAWING NO.	CS6904SA	PART NO.	CS692042AA0-*0
	4													
	3													
	2													
1														
SCALE	1 / 1	SHEET	5 OF 6											

