

Note:

Material:

- \* Insulation: LCP UL 94V-0
- \* Contact: Copper alloy
- \* Latch: Steel (SUS)

Ordering Code:

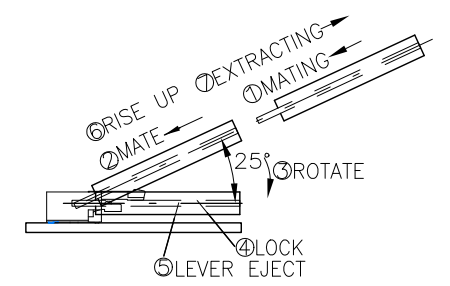
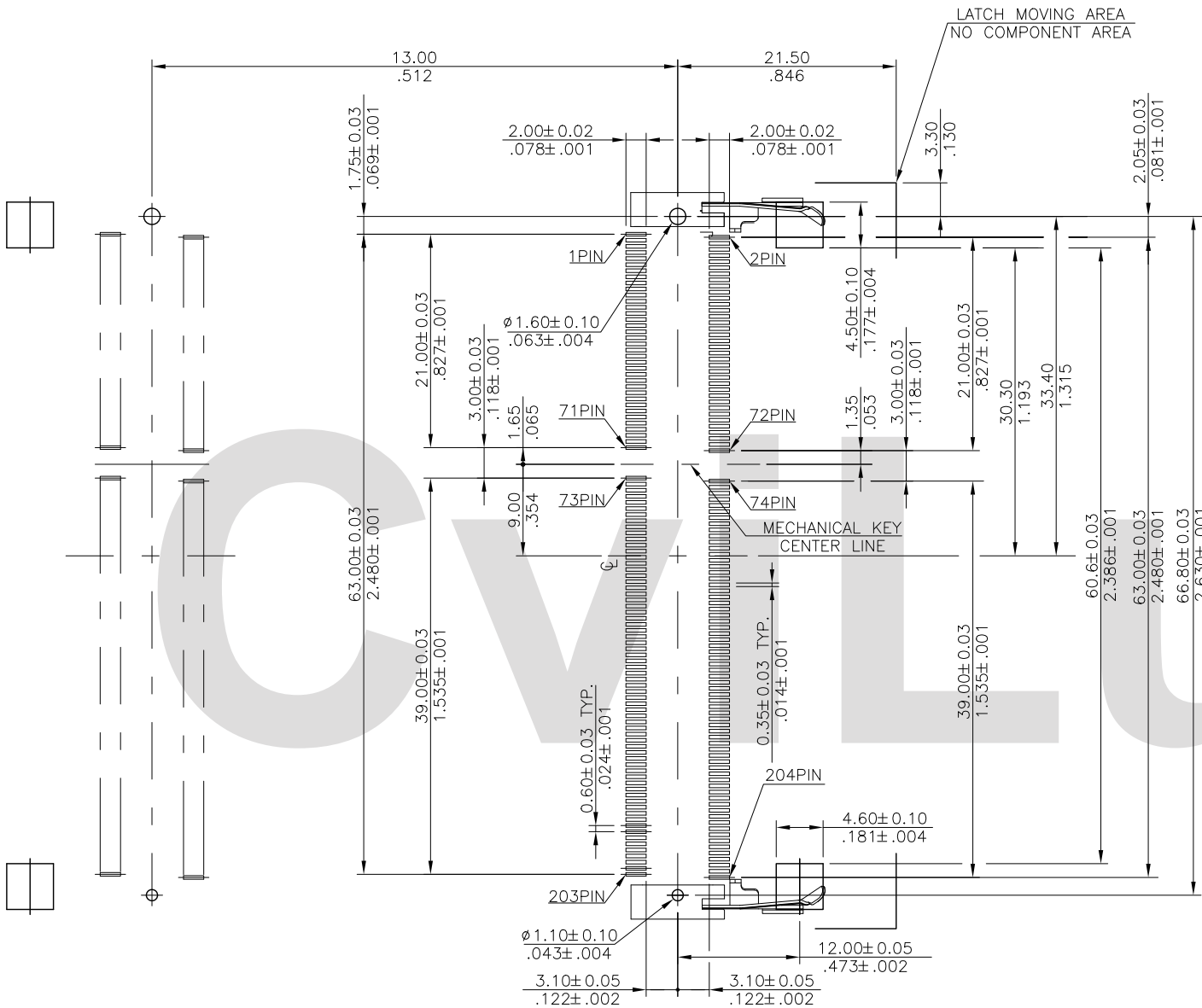
CS69 204 2 B A0 - \*0  
① ② ③ ④ ⑤ ⑥

- ① Series No.
- ② No. of Circuits:
- ③ Plating :  
2= Gold flash over 50u" Nickel
- ④ Height : B=4.0mm
- ⑤ Type : A0= A type
- ⑥ Option: 00= Standard(Tray Packing)  
R0=Reel Packing

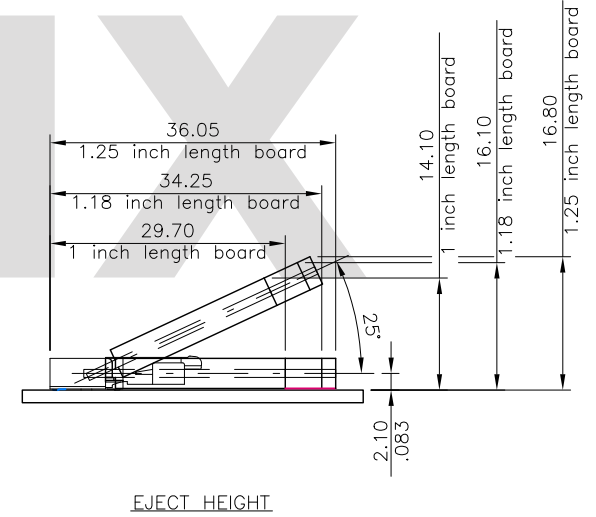
CVILUX CORP  
2012.11.07  
ISSUED

瀚荃股份有限公司  
CviLux Corporation


4				DATE	UNIT: mm / inch	TITLE: DDR S.O DIMM SOCKET.(DDR3)	DRAWING NO. CS6902SA SCALE 1 / 1	PART NO. SHEET 1 OF 5	PART NO. CS692042BA0-*0
3			DRAWN BY: Enya	10/30-12'	TOLERANCE UNLESS OTHERWISE SPECIFIED	MATERIAL:			
2			ENGINEER: Eisley	10/31-12'	.X ± - / - X' ± 3'				
1			CHECKED BY: Eisley	10/31-12'	.XX ± 0.20 / .009 .X' ±				
SYM	NAME	DATE	APPROVED BY: David	10/31-12'	.XXX ± - / - .XX ±	FINISH:			



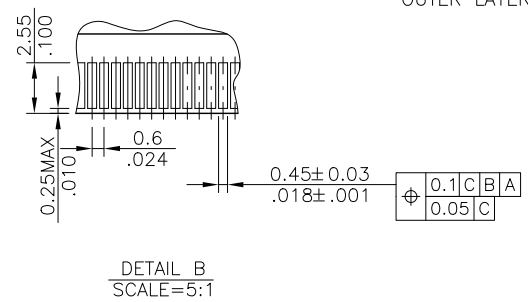
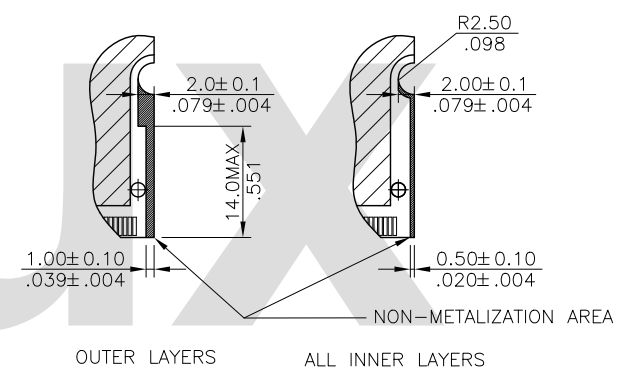
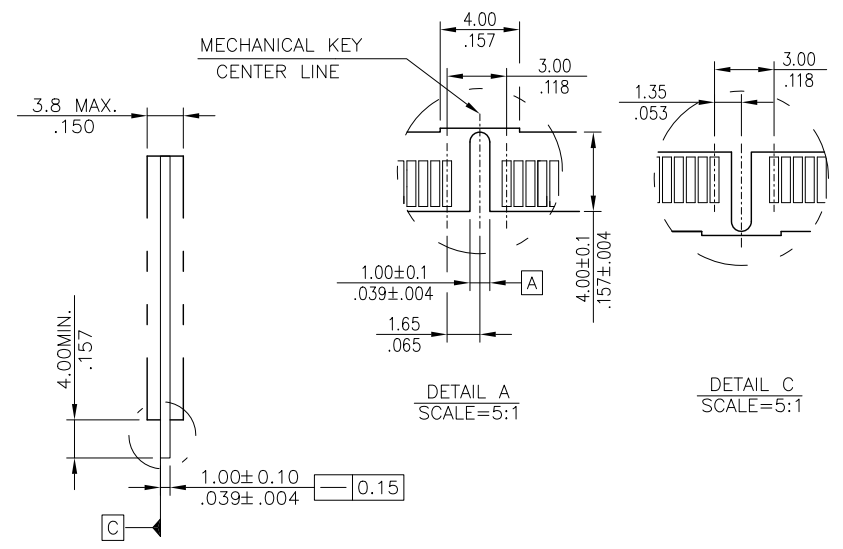
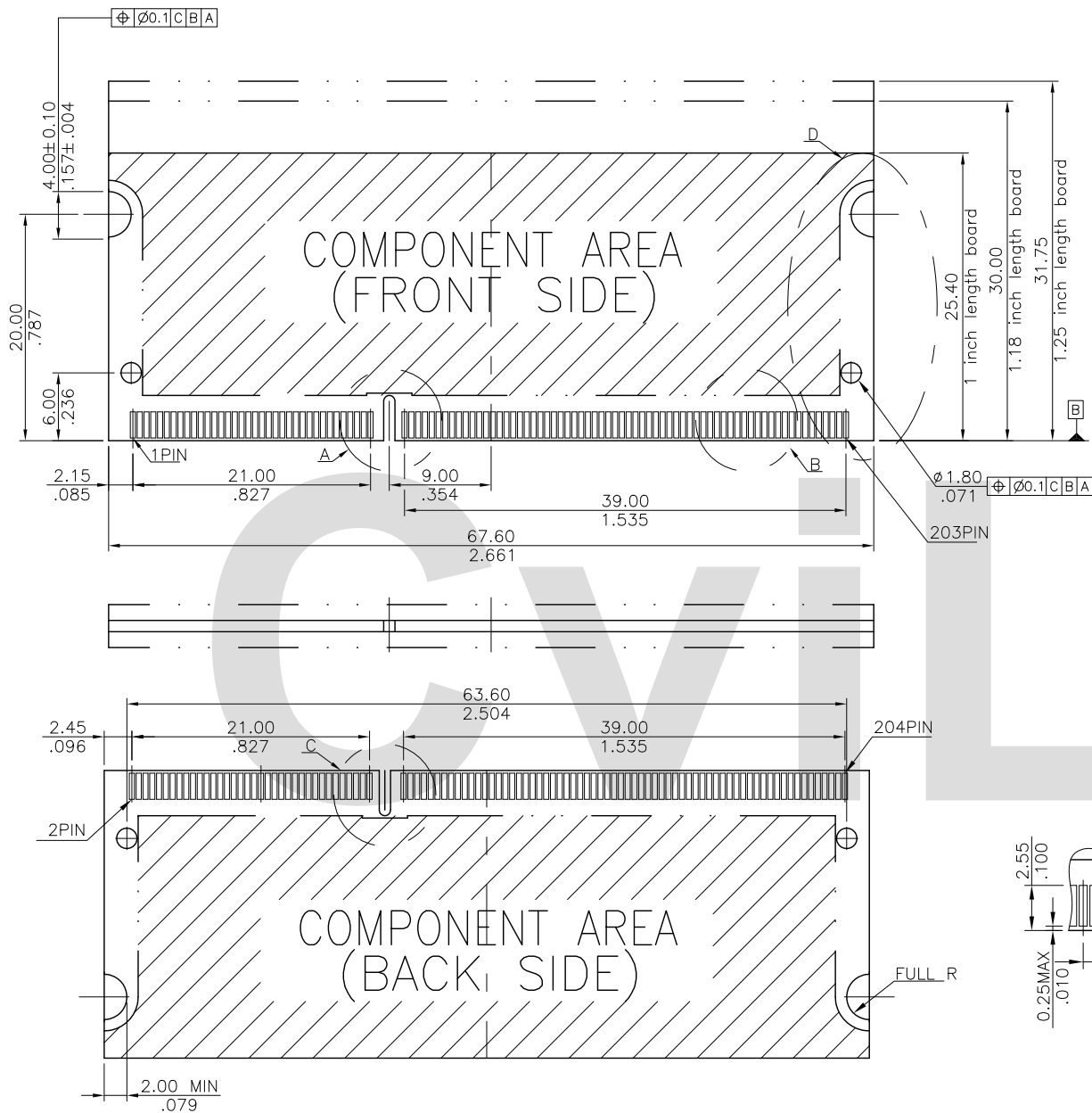
HOW TO MATE AND UNMATE  
 MATE ① - ④  
 UNMATE ⑤ - ⑦




RECOMMENDED MOUNTING  
 P.C. BOARD PATTERN LAYOUT DIM.

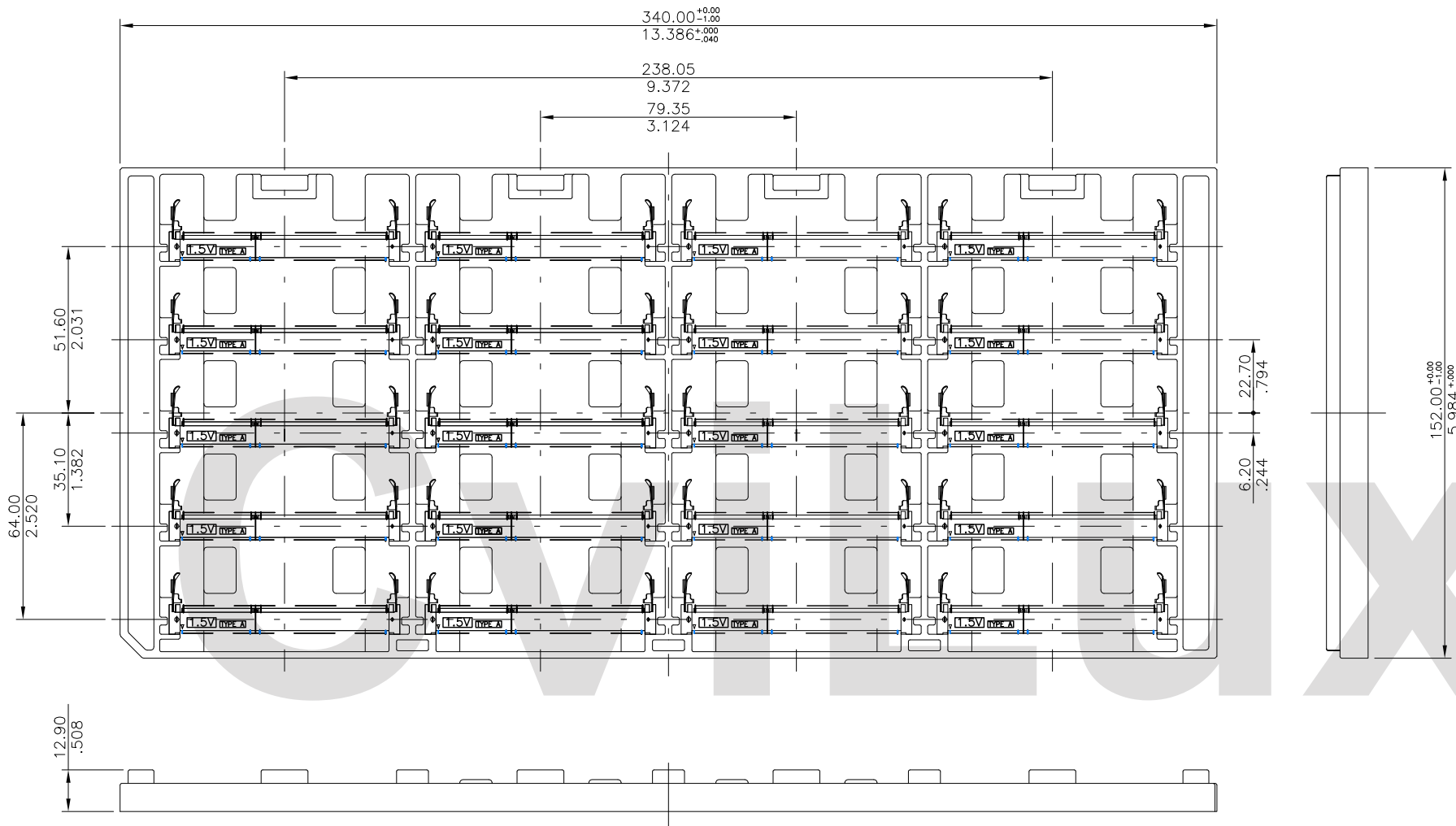
4					DATE	UNIT: mm / inch	TITLE: DDR S.O DIMM SOCKET.(DDR3)	 瀚荃股份有限公司 CviLux Corporation
3				DRAWN BY: Enya	10/30-12'	TOLERANCE UNLESS OTHERWISE SPECIFIED	MATERIAL:	
2				ENGINEER: Eisley	10/31-12'	.X ± - / - X: ± 3'	DRAWING NO. CS6902SA PART NO. CS692042BA0-*0	
1				CHECKED BY: Eisley	10/31-12'	.XX ± 0.20 / .009 .X ±		
				APPROVED BY: David	10/31-12'	.XXX ± - / - .XX ±		
SYM	NAME	DATE	REVISIONS				SCALE 1 / 1	SHEET 2 OF 5





4					DATE	UNIT: mm / inch	TITLE:	 瀚荃股份有限公司 CviLux Corporation	DRAWING NO. CS6902SA	PART NO. CS692042BA0-#0
3				DRAWN BY: Enya	TOLERANCE UNLESS OTHERWISE SPECIFIED	DDR S.O DIMM SOCKET.(DDR3)				
2				ENGINEER: Eisley	.X ± - / - X' ± 3'	MATERIAL:				
1				CHECKED BY: Eisley	.XX ± 0.15 / .006 .X' ±	FINISH:				
SYM	NAME	DATE	REVISIONS	APPROVED BY: David	10/31-12'	.XXX ± - / - .XX' ±		SCALE	1 / 1	SHEET 3 OF 5


  
 CVILUX CORP  
 2012.11.07  
 ISSUED



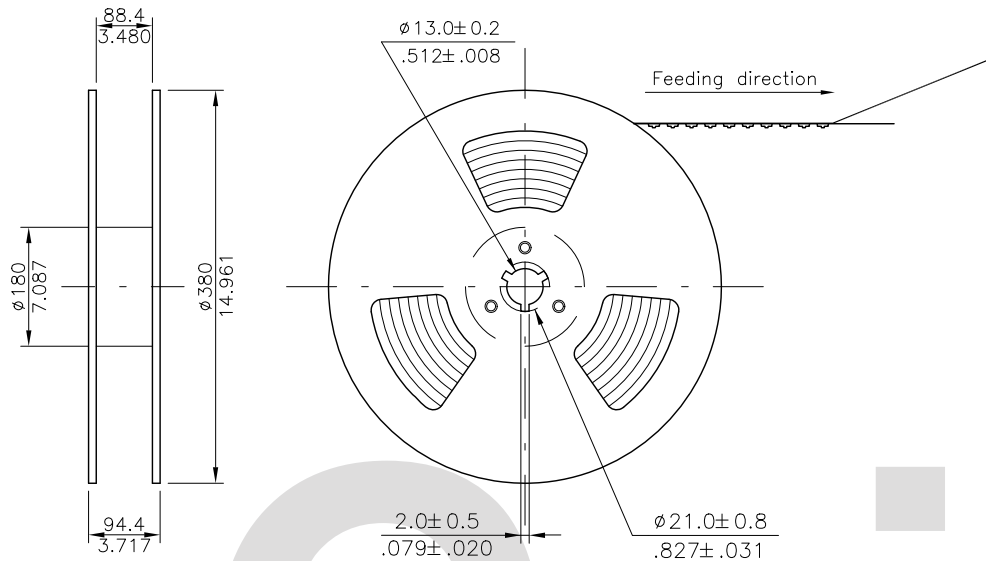
HARD TRAY PACKAGING

NOTE :

Quantity : 20 PCS/TRAY

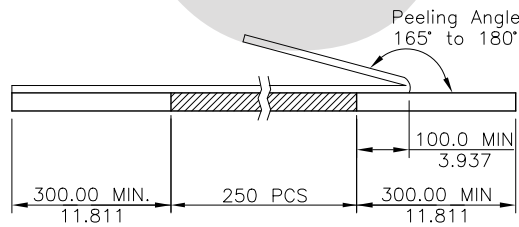
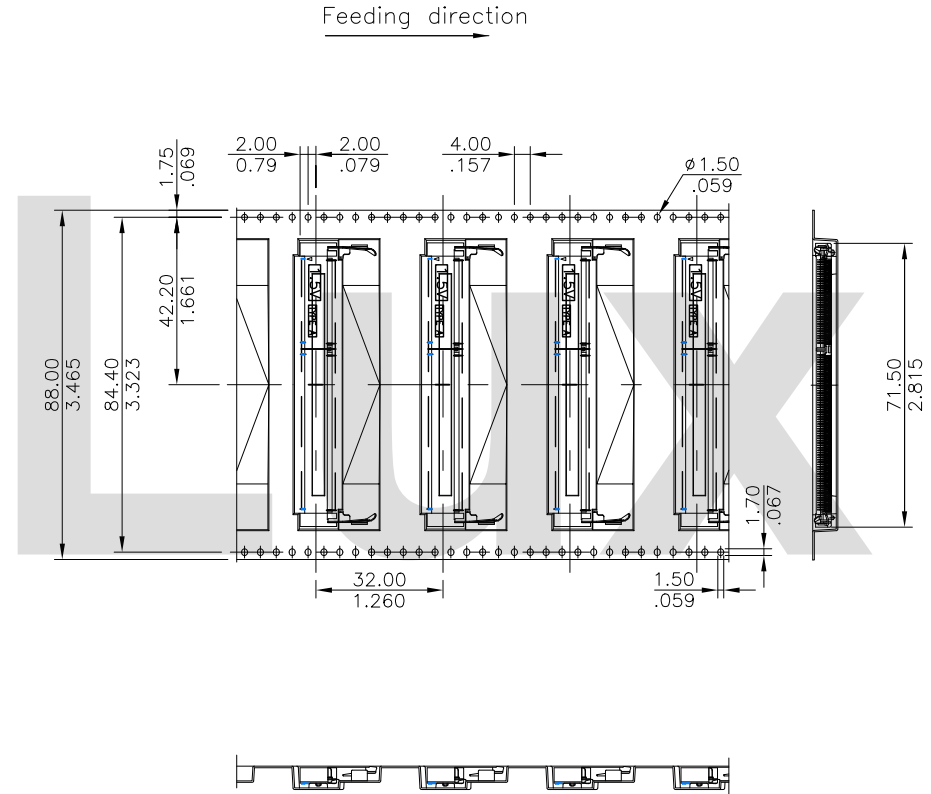
4					DATE	UNIT: mm / inch	TITLE:	 瀚荃股份有限公司 CviLux Corporation	DRAWING NO. CS6902SA	PART NO. CS692042BA0-*0
3				DRAWN BY: Enya	TOLERANCE	DDR S.O DIMM SOCKET.(DDR3)				
2				ENGINEER: Eisley	UNLESS OTHERWISE SPECIFIED	MATERIAL:				
1				CHECKED BY: Eisley	.X ± / X' ±	FINISH:				
SYM	NAME	DATE	REVISIONS	APPROVED BY: David	10/31-12'	.XX ± 0.50 / .020	.X' ±	SCALE	1 / 1	SHEET 4 OF 5

CVILUX CORP  
 2012.11.07  
 ISSUED




NOTES:

- \* Cover Tape Peeling Angle : 165° to 180°
- \* Exfoliation Speed : 300mm/minute
- \* Cover Tape Peel Strength : 10.0~150.0gf
- \* Quantity : 250 PCS/Reel



Empty    Packaging Portion    Empty

4					DATE	UNIT: mm / inch	TITLE:	 瀚荃股份有限公司 CviLux Corporation
3				DRAWN BY: Enya	10/30-12'	TOLERANCE UNLESS OTHERWISE SPECIFIED	DDR S.O DIMM SOCKET.(DDR3)	
2				ENGINEER: Eisley	10/31-12'	.X ± / X' ±	MATERIAL:	
1				CHECKED BY: Eisley	10/31-12'	.XX ± / .X' ±	FINISH:	
SYM	NAME	DATE	REVISIONS	APPROVED BY: David	10/31-12'	.XXX ± / .XX' ±		DRAWING NO. CS6902SA
								PART NO. CS692042BA0-*0
								SCALE 1 / 1
								SHEET 5 OF 5

