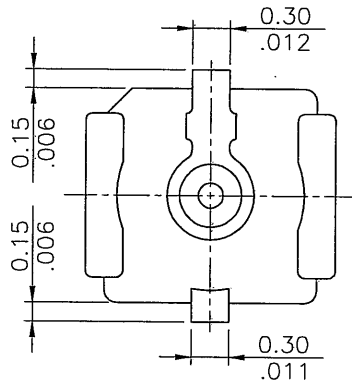
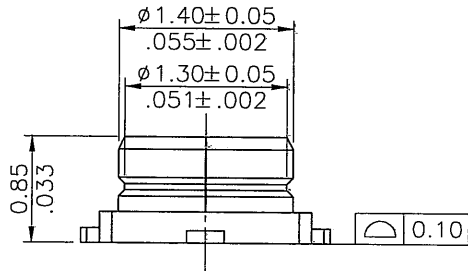
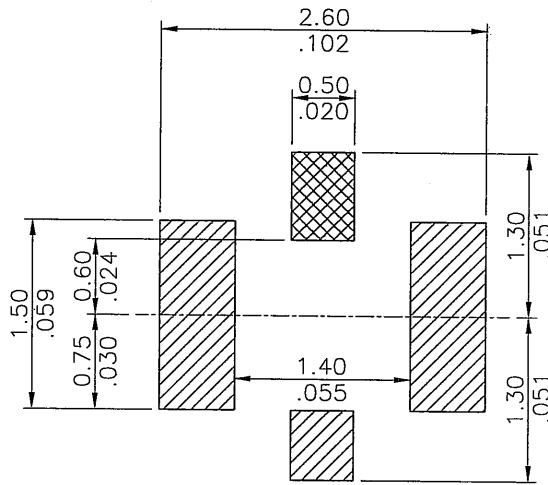


SECTION A-A



Back view



Recommended P.C. Board Layout
(TOLERANCE:±0.05)



Center Contact Soldering Area



Ground Contact Soldering Area

RoHS Compliant

Material:

- * Housing: LCP , Color Black
- * Center Contact: Copper Alloy
- * Ground Contact: Copper Alloy

Ordering Code

CRA3 S 7 2 0000
① ② ③ ④ ⑤

- ① Series No.
CRA3= Type III
- ② S= Receptacle Connector
- ③ Center Contact Plating:
7= 3μ" Gold flash plated Nickel
- ④ Ground Contact Plating:
2= Gold flash plated over Nickel
- ⑤ Other option:
0000= Standard

4					DATE	UNIT: mm / inch	TITLE:	瀚荃股份有限公司 CviLux Corporation			
3				DRAWN BY: Fung	7/29-13	TOLERANCE UNLESS OTHERWISE SPECIFIED	RF III RECEPTACLE CONN.				
2				ENGINEER: Esley	7/25-13	.X ± 0.25/.010 X' ± 1"	MATERIAL:				
1				CHECKED BY: Esley	7/25-13	.XX ± 0.13/.005 X ±	CUSTOMER:				
SYM	NAME	DATE		APPROVED BY: Davill	7/25-13	.XXX ± 0.10/.004 .XX ±		DRAWING NO. CRA301S1	PART NO.	CRA3S720000	
							SCALE	3 / 1	SHEET	1 OF 1	