

Note:

\*Material:

Base: High temperature plastic  
UL 94V-0, Color Nature

Contact: Copper alloy

\*For Lead Free IR Processes  
and Halogen-Free

Ordering Code:

CP27 04 M 1 V 00 - NH  
① ② ③ ④ ⑤ ⑥ ⑦

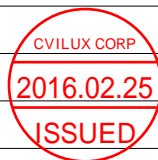
- ① Series No.
- ② No. of Circuits: 04 Pin
- ③ M= SMT type header
- ④ Plating: 1= 3.05um(120u") ~ 4.88um(192u")  
Matte Tin over 1.27um(50u") Nickel
- ⑤ Type: V= Straight
- ⑥ Option: 00= Standard
- ⑦ Other option:  
-NH= For Lead Free IR Processes and Halogen-Free

Halogen-Free

Lead Free Process

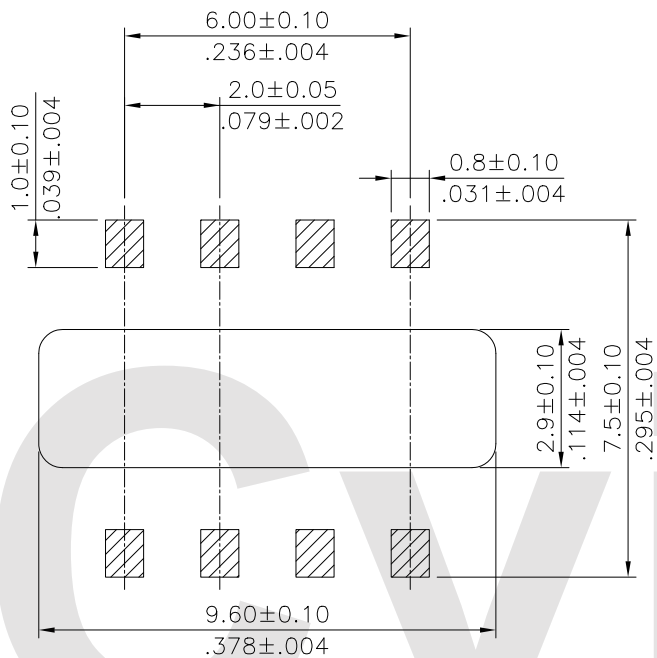
RoHS Compliant

4					DATE	UNIT: mm / inch	TITLE: 2.00MM(.079") WIRE TO BOARD CONNECTOR
3					DRAWN BY: Hank	2/18-16'	MATERIAL:
2					ENGINEER: Easley	2/19-16'	
1					CHECKED BY: David	2/19-16'	FINISH:
SYM	NAME	DATE	REVISIONS	APPROVED BY: David	2/19-16'	.XXX ± 0.05/.002	

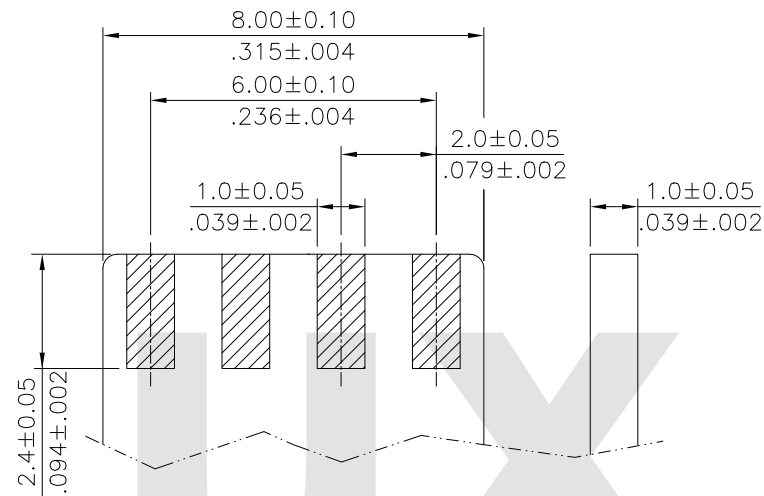


瀚荃股份有限公司  
CviLux Corporation

DRAWING NO.	CP2701SA	PART NO.	CP2704M1V00-NH
SHEET	1	OF	2



Recommended P.C. Board Layout

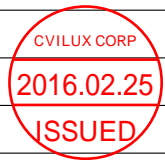


Accommodated P.C.B

Halogen-Free

Lead Free Process

RoHS Compliant



4				DATE	UNIT: mm / inch	TITLE: 2.00MM(.079") WIRE TO BOARD CONNECTOR
3				DRAWN BY: Hank	2/18-16'	MATERIAL:
2				ENGINEER: Eisley	2/19-16'	
1				CHECKED BY: David	2/19-16'	FINISH:
SYM	NAME	DATE	REVISIONS	APPROVED BY: David	2/19-16'	

TOLERANCE UNLESS OTHERWISE SPECIFIED	
.X ± 0.25/.010	.X' ± 1"
.XX ± 0.15/.006	.X" ±
.XXX ± 0.05/.002	.XX' ±



瀚荃股份有限公司  
CviLux Corporation

DRAWING NO.	CP2701SA	PART NO.	CP2704M1V00-NH
SCALE	6 / 1	SHEET	2 OF 2