

Material:
 Insulator: Glass filled Polyester UL 94V-0
 Contact: Copper alloy
 Shell: Steel, Tin plated as standard

Ordering Code

17W2 S C V 3 2 1 75 D00
 ① ② ③ ④ ⑤ ⑥ ⑦ ⑧ ⑨

Coaxial terminal
 Insulator: Teflon UL 94V-0, Color white
 Contact: Brass
 #4-40 UNC TYP.2

- ① Series No.
- ② Connector Type: S= Receptacle
- ③ Contact type: C= Coaxial Contact
- ④ Contact tail style: V= Straight Dip type
- ⑤ Coaxial contact plating:

2= Gold flash plated over Nickel
 3= 15μ" Gold plated over Nickel
 4= 30μ" Gold plated over Nickel
 5= 50μ" Gold plated over Nickel

- ⑥ Signal contact plating:

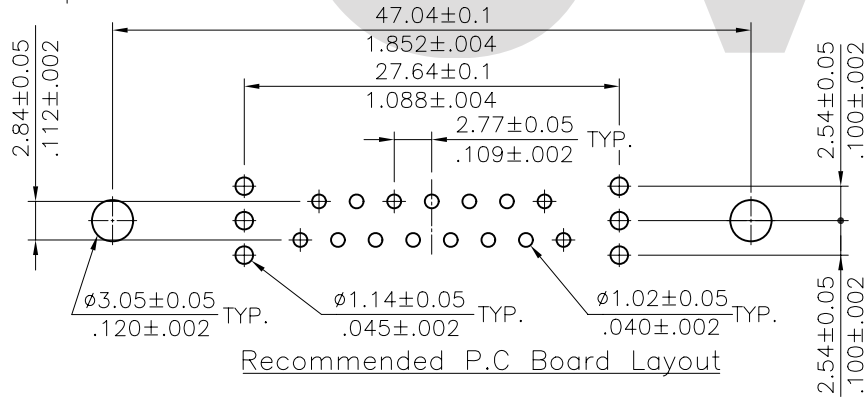
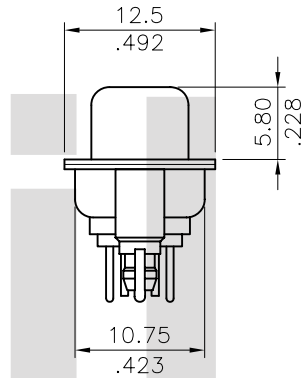
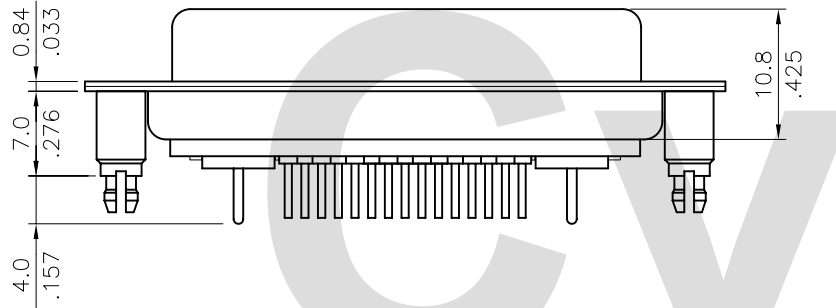
2= Gold flash plated over Nickel
 3= 15μ" Gold plated over Nickel
 4= 30μ" Gold plated over Nickel

- ⑦ Insulator color: 1= Black, 6= Green

- ⑧ Performance: 50= 50Ω, 75= 75Ω

- ⑨ Mounting Style:

000= With ø3.05mm holes on shell
 B00= Riveted #4-40 UNC open nuts on front shell
 C00= Riveted #4-40 UNC open nuts on rear shell
 D00= Riveted #4-40 UNC ground stand-off on rear shell(standard)



Mounting Style

RoHS Compliant

Code	000	Code	B00	Code	C00	Code	D00
			DIM. L= 4.0mm		DIM. L= 4.0mm		DIM. L= 7.0mm

4				DATE	UNIT: mm / inch	TITLE: 17W2 COAXIAL FEMALE D-SUB CONNECTOR (TOP ENTRY BOARD MOUNT TYPE)		瀚荃股份有限公司 CviLux Corporation		
3			DRAWN BY: Rita	10/18-01'	TOLERANCE UNLESS OTHERWISE SPECIFIED					
2			ENGINEER: David	10/19-01'	.X ± 0.30/012	X' ± 1'	MATERIAL:		DRAWING NO. 17W204SB	PART NO. 17W2SCV*****00
1			CHECKED BY: David	10/19-01'	.XX ± 0.20/008	.X' ±			FINISH:	
SYM	NAME	DATE	APPROVED BY: Alex	10/19-01'	.XXX ± 0.10/004	.XX' ±				

