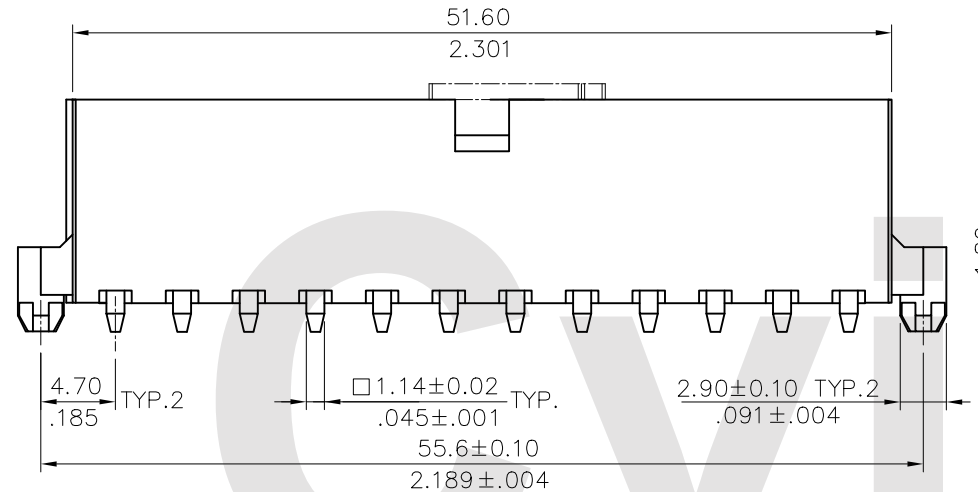


Note:

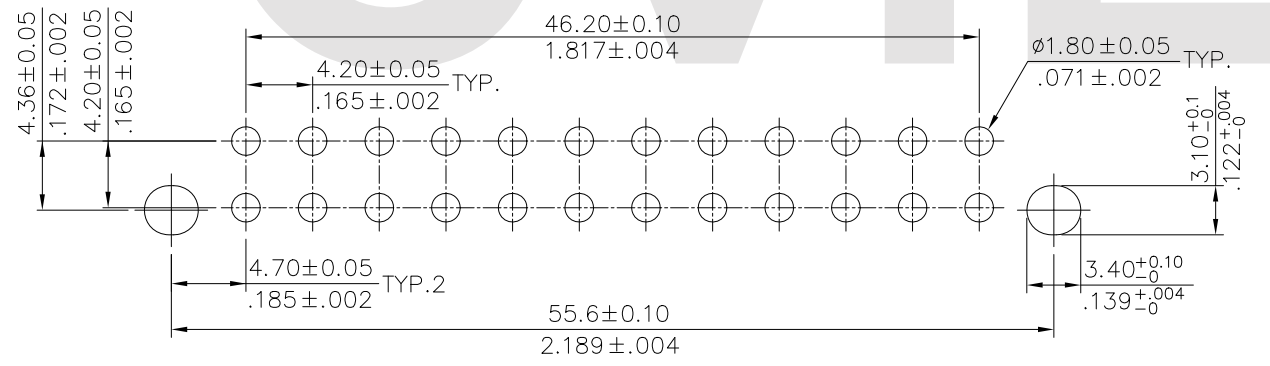
- * Insulation: PA10T + 30% G.F. UL 94V-0, Color Black
- * Contact: Brass
- * For Lead Free IR Reflow Process
- * Pad: PA6T + 30% G.F. ,Color Nature



Ordering Code:


CP-01 3 24 2 Z0 -R0 -NH
 ① ② ③ ④ ⑤ ⑥ ⑦

- ① Series No.
- ② Type of Connector:
3= Straight PCB mount header
- ③ No of Circuits: 24 PIN
- ④ Plating Code:
2= 0.02µm(0.8µ") Min. Gold Flash Plating on Contact area and Solderails, 1.27um(50u") Nickel Underplating over all
- ⑤ Variation:
Z0= With mounting pegs(H= 1.8mm)
- ⑥ Packing option: R0= Tape & Reel packing
- ⑦ -NH= For Lead Free IR Processes and Halogen-Free



Recommended P.C. Board layout

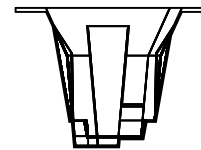
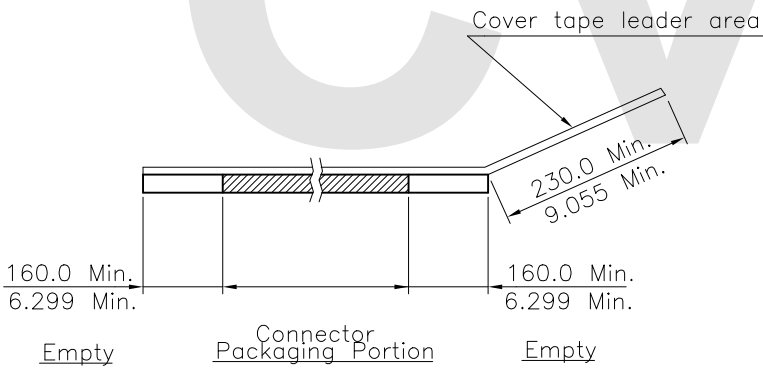
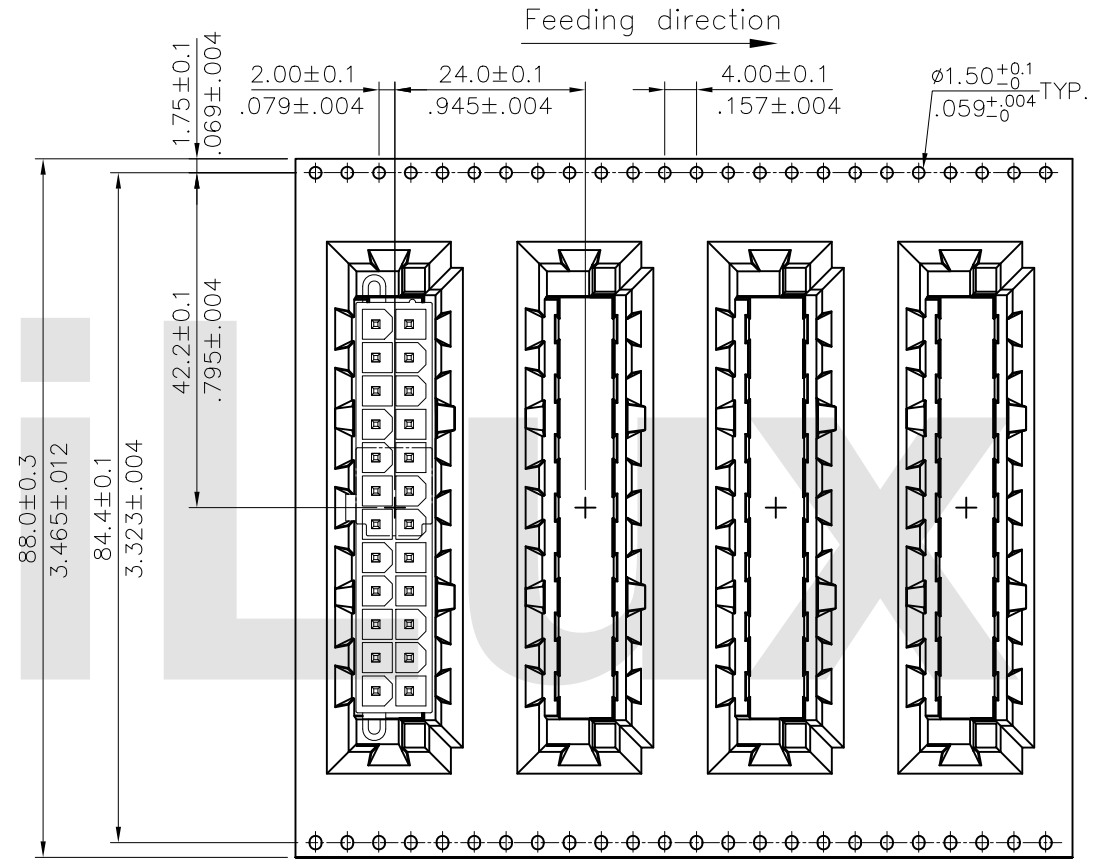
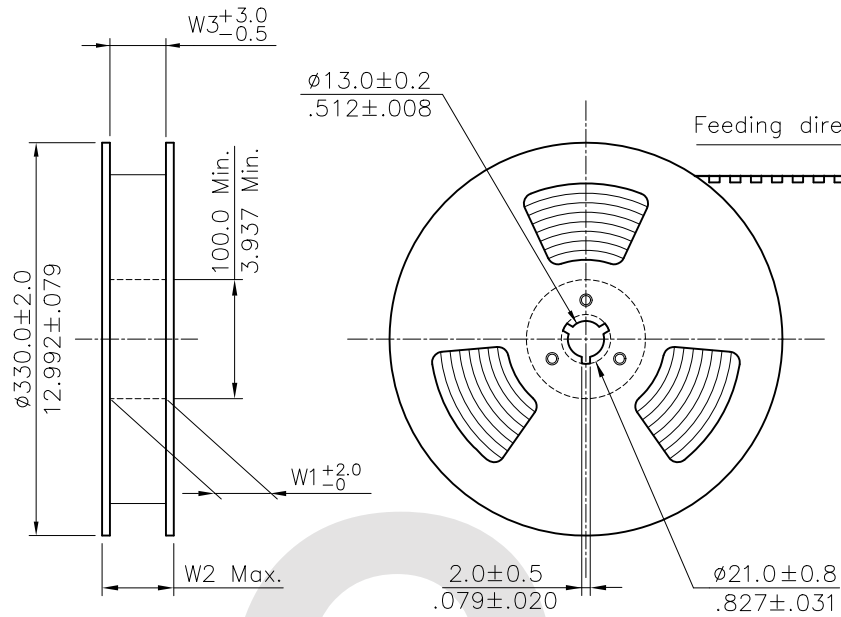
Halogen-Free
 Lead Free Process
 RoHS Compliant

4						UNIT: mm / inch	TITLE: STRAIGHT HEADER	 瀚荃股份有限公司 CviLux Corporation	
3						TOLERANCE UNLESS OTHERWISE SPECIFIED	CP-01 POWER CONNECTOR		
2						.X ± 0.38/.015 X' ± r'	MATERIAL:		
1	Sun	2/02-16'	ECRB116003/ECNT116021	CHECKED BY: Easley	2/4-16'	.XX ± 0.25/.010 X' ±	FINISH:		
SYM	NAME	DATE	REVISIONS	APPROVED BY: Easley	2/4-16'	.XXX ± 0.10/.004 XX' ±	DRAWING NO. CP01209SB	PART NO. CP-013242Z0-R0-NH	
								SCALE	3 / 1
								SHEET	1 OF 2

CIVILUX CORP
 2016.02.18
 ISSUED

NOTES:

1. 10 sprocket hole pitch cumulative tolerance ± 0.20
2. Carrier camber is within 1 mm in 250 mm.
3. Material :Transparent ps.
4. All dimensions meet EIA-481-B requirements.
5. Thickness : 0.50 ± 0.05 mm.
6. Component load per 13" Reel : 150 pcs.



RoHS Compliant

CVILUX CORP
2016.02.18
ISSUED

4					DATE	UNIT: mm / inch	TITLE: RIGHT ANGLE HEADER CP-01 POWER CONNECTOR	瀚荃股份有限公司 CviLux Corporation		
3				DRAWN BY: Sun	2/2-16'	TOLERANCE UNLESS OTHERWISE SPECIFIED	MATERIAL:			DRAWING NO. CP01209SB
2				ENGINEER: Sun	2/2-16'	.X ±	.X' ± 1'	CUSTOMER:	SCALE	SHEET 2 OF 2
1	Sun	2/02-16'	ECRB116003/ECNT116021	CHECKED BY: Easley	2/4-16'	.XX ±	.X' ±			
SYM	NAME	DATE	REVISIONS	APPROVED BY: Easley	2/4-16'	.XXX ±	.XX' ±			