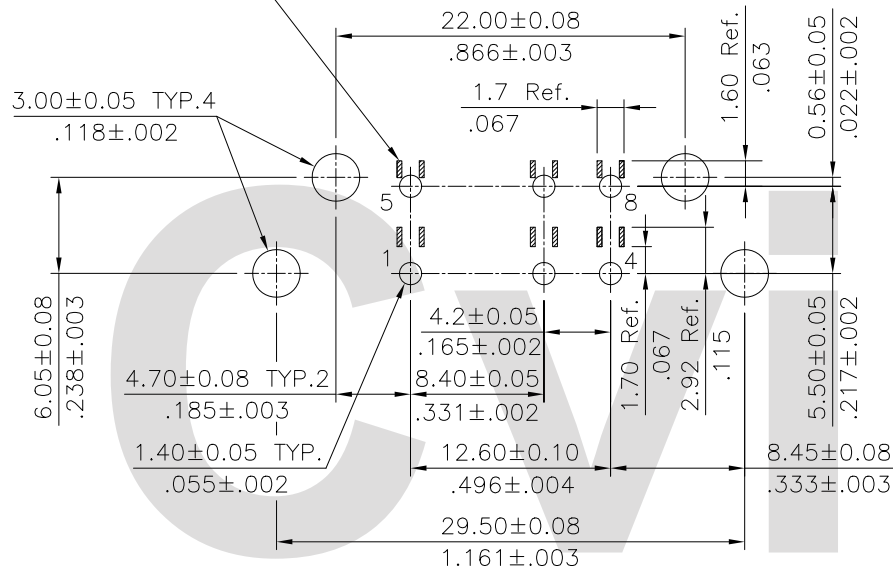


Phantom lines indicate areas where terminal standoffs contact P.C.Board.




Recommended P.C. Board Layout

Ordering Code:

CP-011 08 1 3 A -PB
 ① ② ③ ④ ⑤ ⑥

- ① Series No.
- ② No of Circuits:
- ③ Plating Code:
1 = 30μ" Tin Plated (Reflow Plated)
- ④ Variation:
3 = Nylon 66 UL 94V-2 Color Nature
(Glow wire test available)
- ⑤ Other options: A = A Type
- ⑥ Option Code: PB = Omitted Pin No.2 & 6

RoHS Compliant

4					DATE	UNIT: mm / inch	TITLE: CP-01 POWER CONNECTOR (BOARD MOUNT TYPE)	 瀚荃股份有限公司 CviLux Corporation
3				DRAWN BY: Clark	1/22-14'	TOLERANCE UNLESS OTHERWISE SPECIFIED	MATERIAL:	
2				ENGINEER: Clark	1/22-14'	.X ± 0.38/.015 X' ± r	CUSTOMER: TCF0276	SCALE 2 / 1 SHEET 2 OF 2
1	Andy	1/12-13'	ECNT113117	CHECKED BY: Eisley	1/22-14'	.XX ± 0.25/.010 X' ±		
SYM	NAME	DATE	REVISIONS	APPROVED BY: David	1/22-14'	.XXX ± 0.10/.004 XX' ±		

