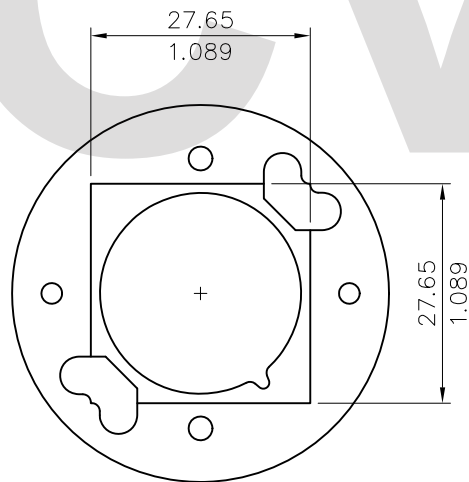


Material :
Glass filled polyester UL94V-0
Color Nature

Ordering Code:

CL01 A0 H00 0 0
① ② ③ ④ ⑤

- ① Series No.
- ② Type: A0 = $\phi 47.5$ mm
- ③ H00 = LED Holder
- ④ Color: 0 = Color Nature
- ⑤ Other options: 0 = Standard



RoHS Compliant

④					DATE	UNIT: mm / inch	TITLE:	瀚荃股份有限公司 CviLux Corporation
③					DRAWN BY: Clark	8/08-14'	LED HOLDER	
②					ENGINEER: Clark	8/08-14'	MATERIAL:	DRAWING NO. CL0101SA PART NO. CL01A0H0000 SCALE 1 / 1 SHEET 1 OF 1
①	Clark	08/06-14	ECNT114168		CHECKED BY: Eisley	8/11-14'	FINISH:	
SYM	NAME	DATE	REVISIONS		APPROVED BY: David	8/11-14'		

2014.08.15
ISSUED

TOLERANCE UNLESS OTHERWISE SPECIFIED	
.X ± 0.30/.012	X' ± r'
.XX ± 0.20/.008	.X' ±
.XXX ± 0.10/.004	.XX' ±