

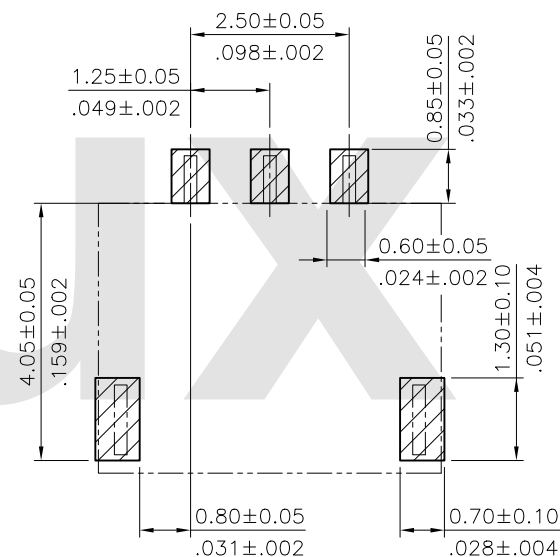
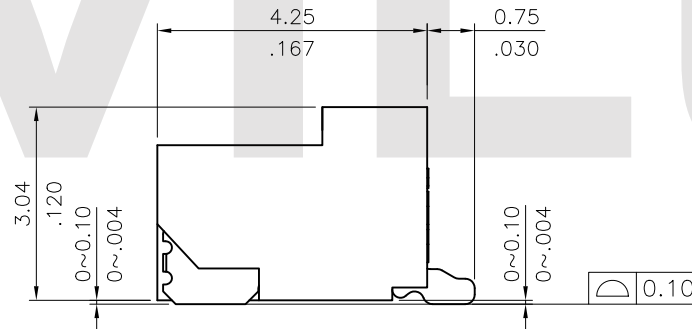
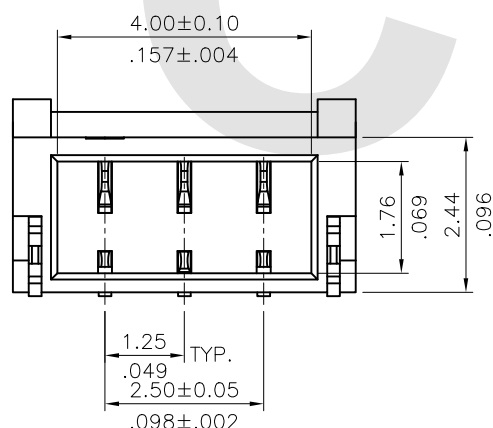
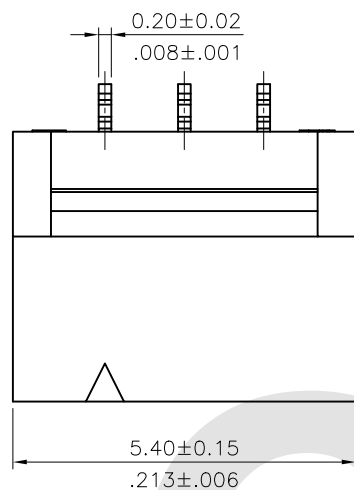
# Ordering Code:

CIDL 03 M 1 H R 0 - NH  
 ① ② ③ ④ ⑤ ⑥ ⑦ ⑧

- ① Series No.
- ② No. of Circuits: 03 Pin
- ③ M= SMT type header
- ④ Plating: 1= 3.05um(120u") ~ 4.88um(192u")  
Matte Tin over 1.27um(50u") Nickel
- ⑤ Type: H= Side Entry
- ⑥ Packing Options: R= Tape & Reel packing
- ⑦ Option: 0= Standard
- ⑧ Other option:  
-NH= For Lead Free IR Processes and Halogen-Free

## Material:

Base: High temperature plastic  
 UL 94V-0, Color Nature  
 Contact: Copper alloy  
 Tab: Copper alloy with Matte Tin plated



P.C. Board Layout

Halogen-Free

Lead Free Process

RoHS Compliant

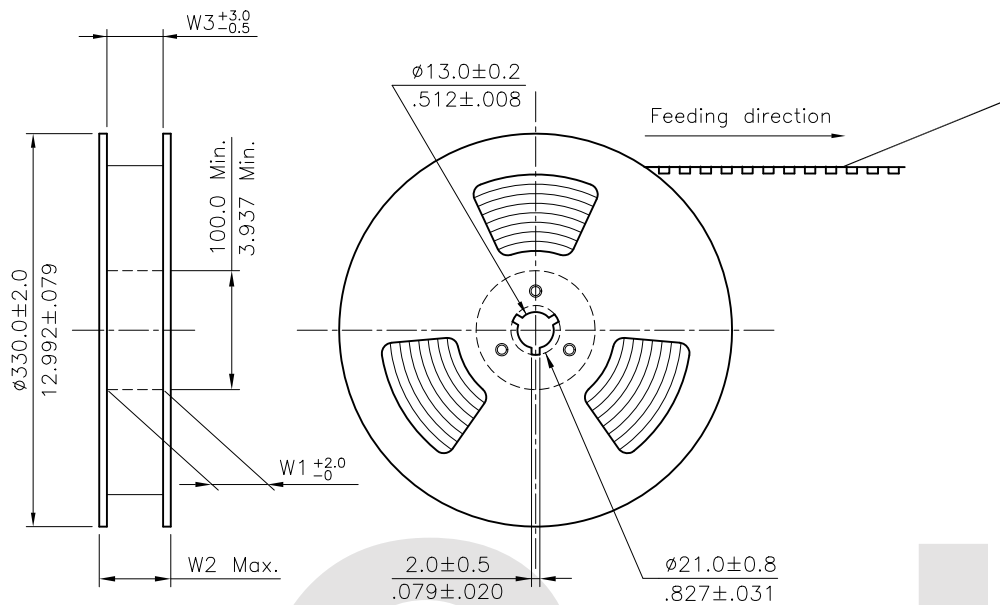
④					DATE	UNIT: mm / inch	TITLE: 1.25MM(.049") WIRE TO BOARD CONNECTOR
③					DRAWN BY: Hank	7/13-16'	MATERIAL:
②					ENGINEER: Eisley	7/13-16'	
①					CHECKED BY: Eisley	7/13-16'	CUSTOMER:
SYM	NAME	DATE	REVISIONS	APPROVED BY: David	7/13-16'		

CIVILUX CORP  
 2016.07.14  
 ISSUED



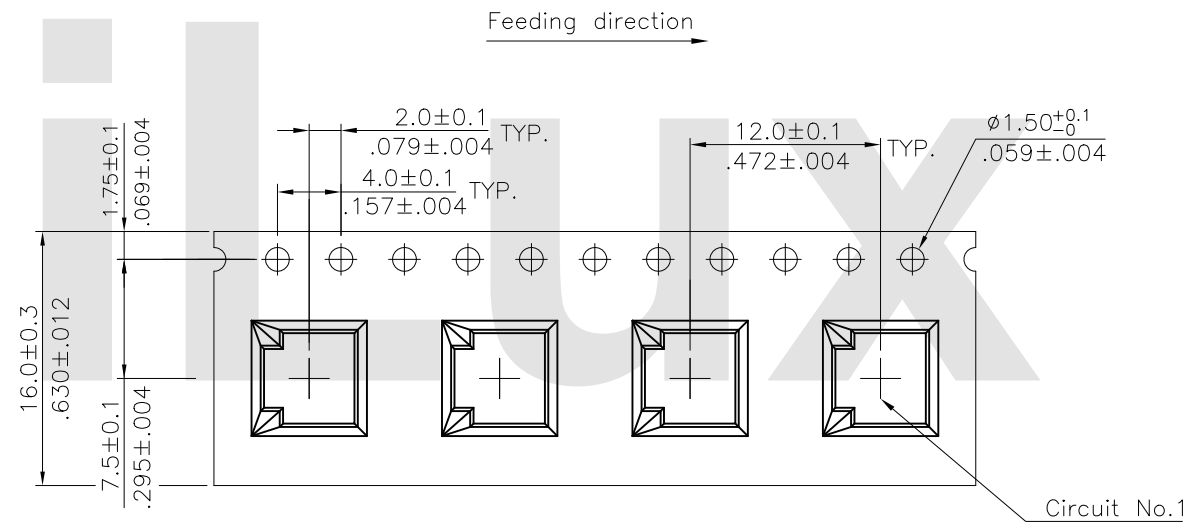
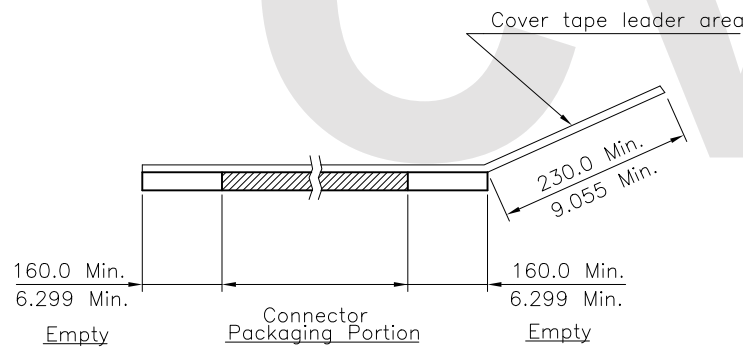
瀚荃股份有限公司  
 CviLux Corporation

DRAWING NO.	CIDL02SA	PART NO.	CIDL03M1HR0-NH
SCALE	6 / 1	SHEET	1 OF 2




- NOTES:
1. 10 sprocket hole pitch cumulative tolerance  $\pm 0.20$
  2. Carrier camber is within 1 mm in 250 mm.
  3. Material :Transparent ps.
  4. All dimensions meet EIA-481-B requirements.
  5. Thickness :  $0.35 \pm 0.05$ mm.
  6. Packing length per 22" Reel : 55.08 Meters.
  7. Component load per 13" Reel : 1500 pcs.

Circuits	Dimension			Packing (Reel/Catton)
	W1	W2	W3	
03	16.5(.650)	22.5(.886)	16.5(.650)	11



RoHS Compliant

4						DATE	UNIT: mm / inch	TITLE: 1.25MM(.049")	 瀚荃股份有限公司 CviLux Corporation	
3						DRAWN BY: Hank	TOLERANCE UNLESS OTHERWISE SPECIFIED	WIRE TO BOARD CONNECTOR		
2						ENGINEER: Eisley	.X ±      .X' ± 1'	MATERIAL:		
1						CHECKED BY: Eisley	.XX ±     .X' ±	CUSTOMER:		
SYM	NAME	DATE	REVISIONS	APPROVED BY: David	7/13-16'		.XXX ±    .XX' ±		DRAWING NO. CIDL02SA	PART NO. CIDL03M1HR0-NH
									SCALE	SHEET 2 OF 2

CVILUX CORP  
 2016.07.14  
 ISSUED