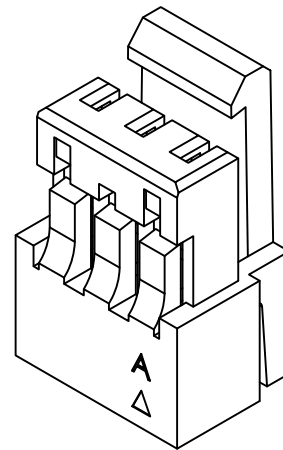


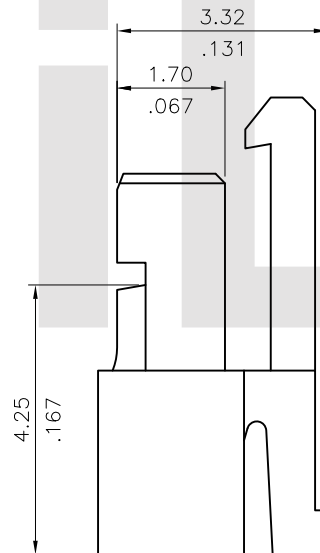
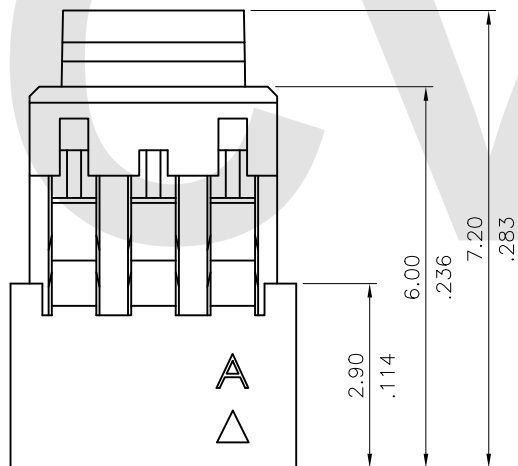
Material:
 NYLON 66 UL 94V-0,
 Color Nature



Ordering Code

CIDL 03 S L000 - NH
 ① ② ③ ④ ⑤

- ① Series No.
- ② No. of Circuits: 3 Pin
- ③ S= Connector housing
- ④ Other option:
L000= With Locking Latch
- ⑤ Other option:
-NH= Halogen-Free



Halogen-Free

RoHS Compliant

④					DATE	UNIT: mm / inch	TITLE:	瀚荃股份有限公司 CviLux Corporation	
③				DRAWN BY: Hank	7/11-16'	TOLERANCE UNLESS OTHERWISE SPECIFIED .X ± 0.25/.010 X: ± 1' .XX ± 0.15/.006 .X: ±	MATERIAL:		
②				ENGINEER: Eisley	7/12-16'		FINISH:		
①				CHECKED BY: Eisley	7/12-16'	.XXX ± 0.08/.003 .XX: ±	DRAWING NO. CIDL01SA		PART NO. CIDL03SL000-NH
SYM	NAME	DATE		APPROVED BY: David	7/12-16'		SCALE 8 / 1		SHEET 1 OF 1