

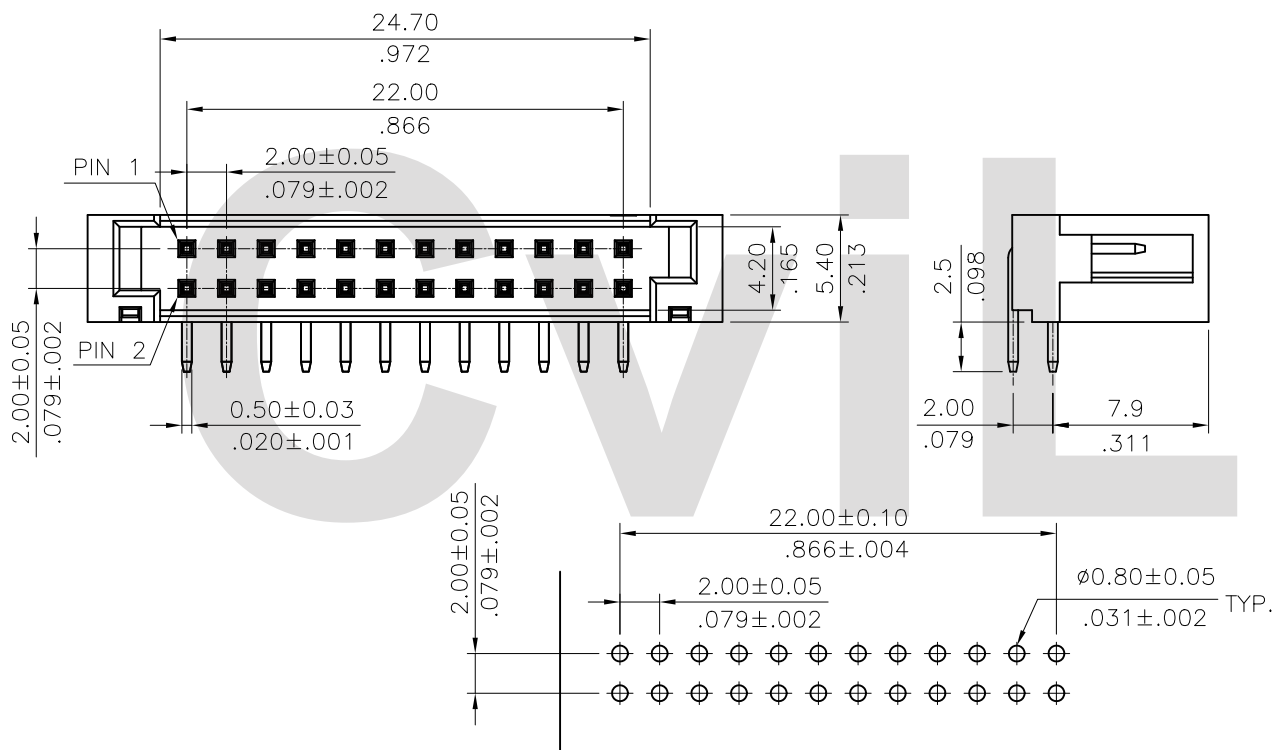
Note:

1. Material:
 - * Insulation: High Temperature Plastic UL 94V-0 Color Nature (Halogen-Free)
 - * Contact: Brass
2. For Lead-Free Wave Flow Process

Ordering Code:

CID6 24 P 1 H 00 -NH
 ① ② ③ ④ ⑤ ⑥ ⑦

- ① Series No.
- ② No. of Circuits:
- ③ P= Pin header
- ④ Plating: 1= Matte Tin Plated over Nickel
- ⑤ Type:H= Right angle
- ⑥ Other option: 00= Standard
- ⑦ NH= For Lead Free Wave flow Process and Halogen-Free



Recommended P.C. Board Layout

Halogen-Free Lead Free Process RoHS Compliant

4					DATE	UNIT: mm / inch	TITLE:	瀚荃股份有限公司 CviLux Corporation
3				DRAWN BY: Sandy	11/19-14'	TOLERANCE UNLESS OTHERWISE SPECIFIED	CID6 series connector	
2				ENGINEER: Karen	11/21-14'	.X ± 0.25/.010 X' ± r'	MATERIAL:	
1				CHECKED BY: Eisley	11/21-14'	.XX ± 0.20/.008 .X' ±	FINISH:	
SYM	NAME	DATE	REVISIONS	APPROVED BY: Eisley	11/21-14'	.XXX ± .XX' ±		DRAWING NO. CID601SA
								PART NO. CID624P1H00-NH
								SCALE 2 / 1
								SHEET 1 OF 1

