

Material:

Insulator: Glass filled Polyester UL 94V-0

Contact: Copper alloy

Shell: Steel, Tin plated as standard

Ordering Code

17W2 S0 S0 A 100 000
 ① ② ③ ④ ⑤ ⑥

① Series No.

② Connector Type:
S0= Receptacle

③ Contact tail Style:
S0= Solder Cup type

④ Signal Contact Plating:

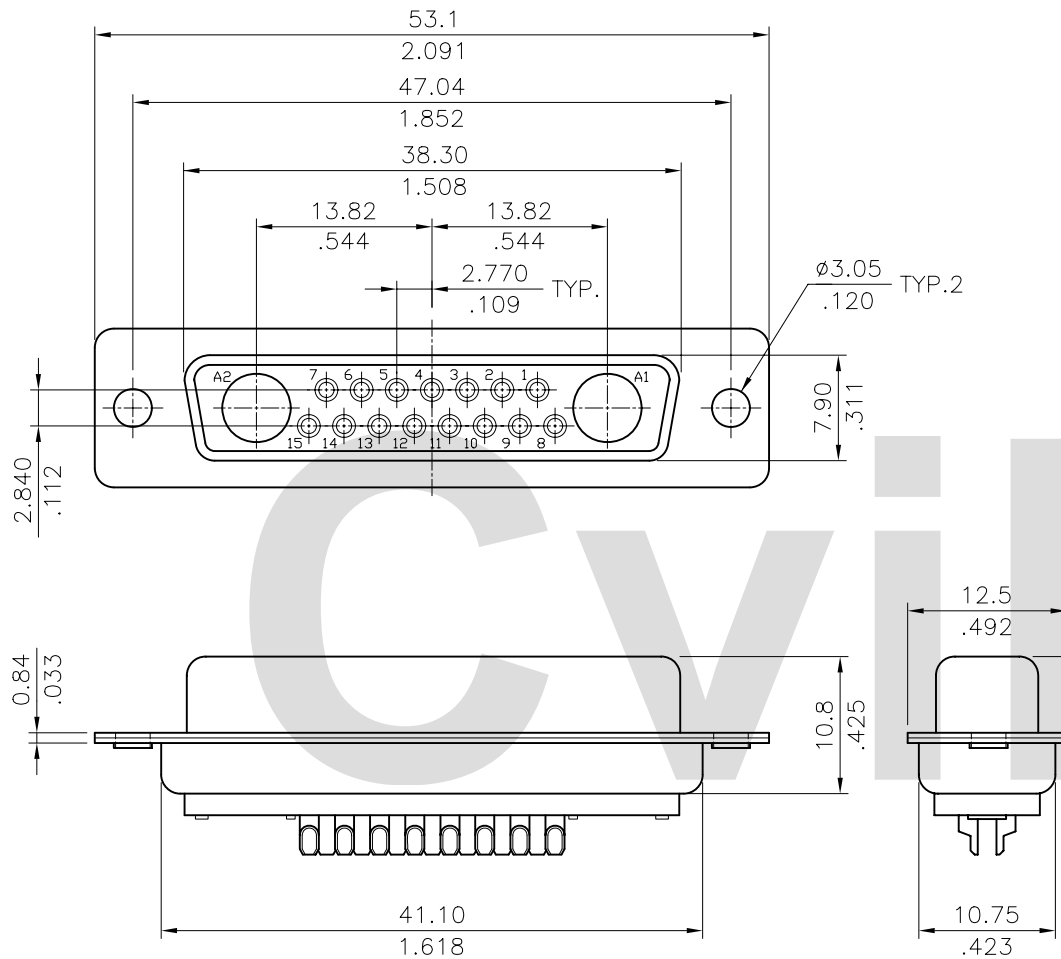
A= Seletive Gold flash plated over Nickel
 B= Seletive 15 μ " Gold plated over Nickel
 C= Seletive 30 μ " Gold plated over Nickel

⑤ Insulator Color:

100= Black
 600= Green

⑥ Mounting Style:

000= With ϕ 3.05mm holes on shell
 A00= Riveted #4-40 UNC close nuts on front shell
 B00= Riveted #4-40 UNC open nuts on front shell
 C00= Riveted #4-40 UNC open nuts on rear shell



Mounting Style

RoHS Compliant

Code	000	Code	A00	Code	B00	Code	C00
			DIM. L= 5.8mm		DIM. L= 4.0mm		DIM. L= 4.0mm

4				DATE	UNIT: mm / inch	TITLE: 17W2 FEMALE COMBO D-SUB CONNECTOR (SOLDER CUP TYPE)	瀚荃股份有限公司 CviLux Corporation
3			DRAWN BY: James	11/18-02'	TOLERANCE UNLESS OTHERWISE SPECIFIED	MATERIAL:	
2			ENGINEER: David	11/19-02'	.X \pm 0.30/.012 .X' \pm 1'		
1			CHECKED BY: David	11/19-02'	.XX \pm 0.20/.008 .X' \pm	FINISH:	
SYM	NAME	DATE	APPROVED BY: Alex	11/19-02'	.XXX \pm 0.10/.004 .XX' \pm		



DRAWING NO.	17W202SC	PART NO.	17W2S0S0**00*00
SCALE	2 / 1	SHEET	1 OF 1