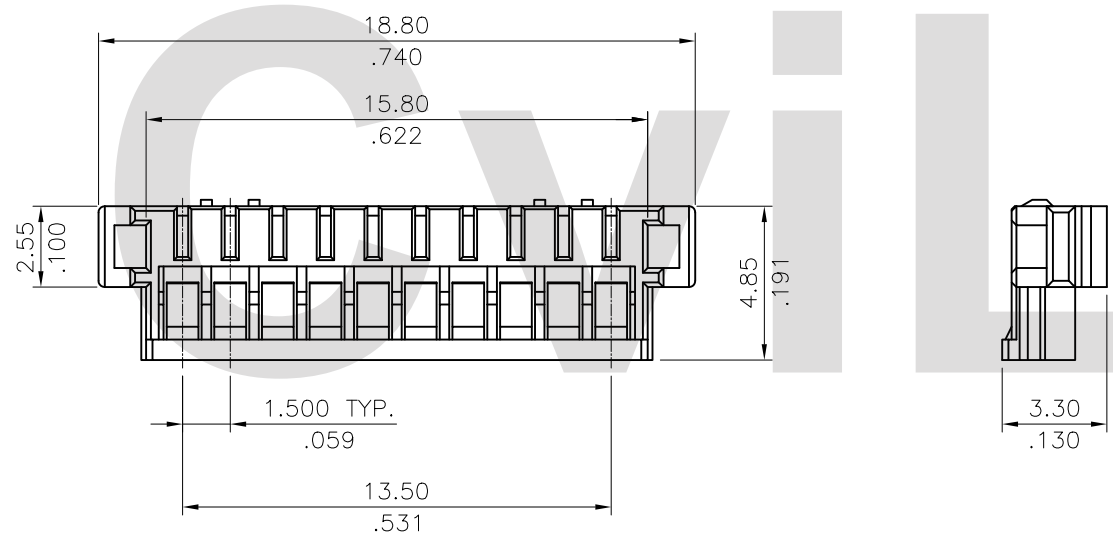


Material:
Nylon 66 UL94 V-0 , Color Nature



Ordering Code:

CI87 10 S 0000
① ② ③ ④

- ① Series No.
- ② No. of Circuits: 10 Pin
- ③ Type: S= Housing
- ④ Other options: 0000= Standard

Halogen-Free RoHS Compliant

④					DATE	UNIT: mm / inch	TITLE:
③					DRAWN BY: Clark	12/25-14'	CI87 Series Housing
②					ENGINEER: Clark	12/25-14'	MATERIAL:
①	Clark	12/17-14	ECNT114294		CHECKED BY: Eisley	12/31-14'	FINISH:
SYM	NAME	DATE	REVISIONS		APPROVED BY: Eisley	12/31-14'	

CVILUX CORP
2015.02.12
ISSUED

瀚荃股份有限公司
CviLux Corporation

DRAWING NO.	CI8702SA	PART NO.	CI8710S0000
SCALE	4 / 1	SHEET	1 OF 1