

**Recommended
P.C. Board Layout**

Material :

- * Base & Pad:
High Temperature Plastic UL 94V-0
Color Black (Halogen-Free)
- * Contact : Copper Alloy
- * Tab : Copper Alloy

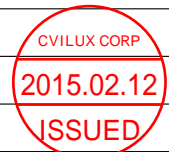
Ordering Code:

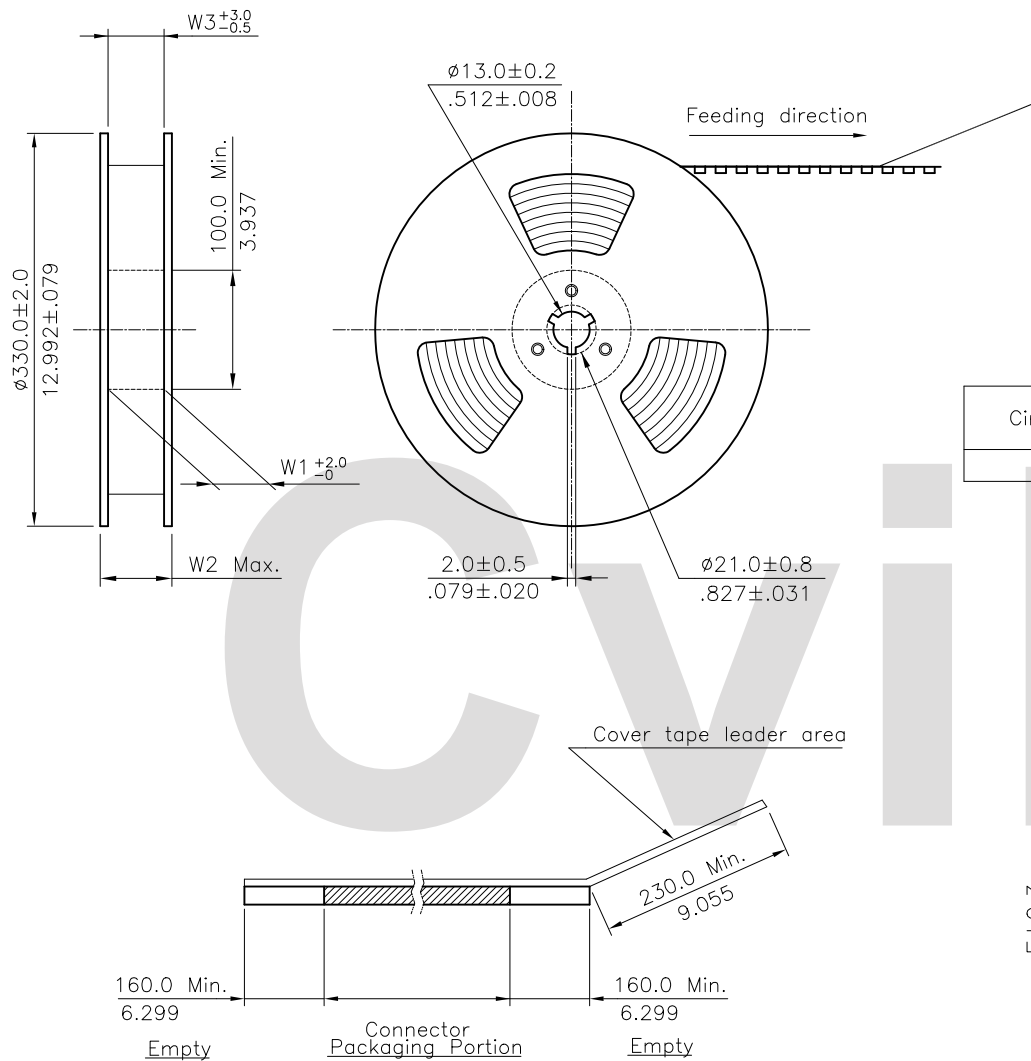
CI87 10 M 2 V R 0 -NH
① ② ③ ④ ⑤ ⑥ ⑦ ⑧

- ① Series No.
- ② No. of Circuits: 10 Pin
- ③ M= SMT Type
- ④ Plating: 2= 0.03μm(1.2μ") Min. Gold Flash Plating on Contact area and Solder tails, 1.27μm(50μ") Nickel Underplating over all
- ⑤ Type: V= Vertical
- ⑥ Packing Options: R= Tape & Reel packing
- ⑦ Option: 0= Standard
- ⑧ Other option:
-NH= For Lead Free IR Processes and Halogen-Free

Halogen-Free **Lead Free Process** **RoHS compliant**

④					DATE	UNIT: mm / inch	TITLE:	瀚荃股份有限公司 CviLux Corporation
③				DRAWN BY: Clark	12/8-14'	TOLERANCE UNLESS OTHERWISE SPECIFIED	CI87 Series Header	
②				ENGINEER: Clark	12/8-14'	.X ± 0.30/.012 X' ± r'	MATERIAL:	
①	Clark	12/17-14	ECNT114294	CHECKED BY: Eisley	12/22-14'	.XX ± 0.20/.008 .X' ±	FINISH:	
SYM	NAME	DATE	REVISIONS	APPROVED BY: Eisley	12/22-14'	.XXX ± 0.10/.004 .XX' ±		DRAWING NO. CI8701SA
								PART NO. CI8710M2VRO-NH
								SCALE 4 / 1
								SHEET 1 OF 2

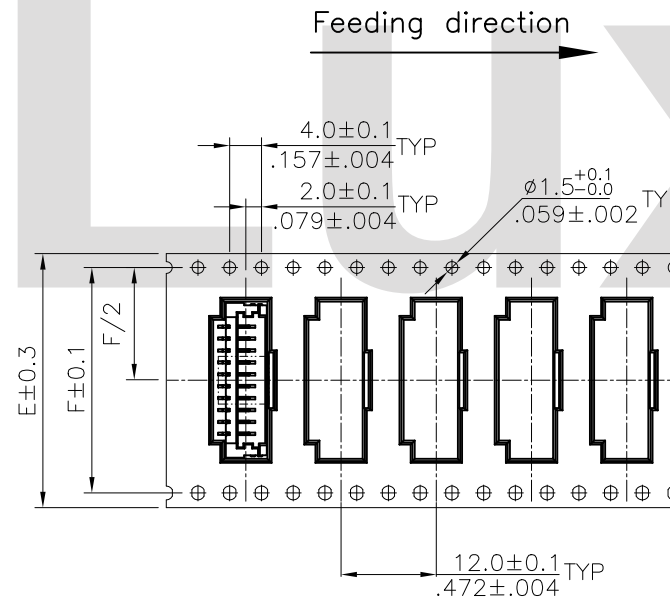




NOTE :

- * Reel Material : Corrugated Paper
- * Carrier Material : Clear, Conductive Polystyrene Alloy
- * Cover Tape Material : Polyester
- * Cover Tape Peel Strength : 0.1N – 1.3N
- * Carrier camber is within 1mm in 100mm
- * All dimensions meet EIA-481-2 & EIA-481-3 requirements.
- * Quantity : 1200 PCS/Reel

Circuits	Dimension					Packing (Reel/Caton)
	E	F	W1	W2	W3	
10	32.0(1.260)	28.40(1.118)	32.5(1.280)	38.5(1.516)	32.5(1.280)	7



RoHS Compliant

4					DATE	UNIT: mm / inch	TITLE:	瀚荃股份有限公司 CviLux Corporation			
3					DRAWN BY: Clark	TOLERANCE UNLESS OTHERWISE SPECIFIED	CI87 Series Header				
2					ENGINEER: Clark	.X ± 0.30/.012 X' ±	MATERIAL:	DRAWING NO. CI8701SA	PART NO. CI8710M2VR0-NH		
1	Clark	12/17-14	ECNT114294		CHECKED BY: Eisley	.XX ± 0.20/.008 X' ±	FINISH:	SCALE	SHEET 2 OF 2		
SYM	NAME	DATE	REVISIONS		APPROVED BY: Eisley	.XXX ± 0.10/.004 X' ±					

CIVILUX CORP
 2015.02.12
 ISSUED