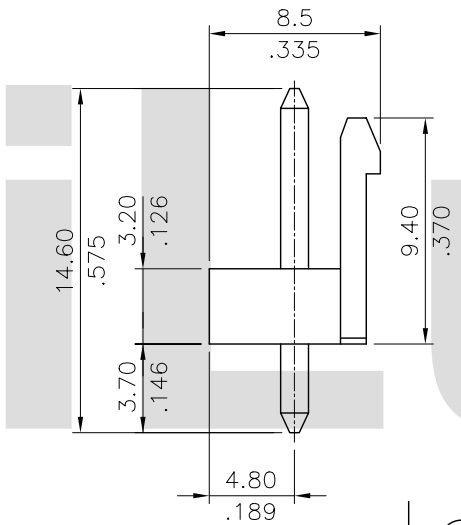
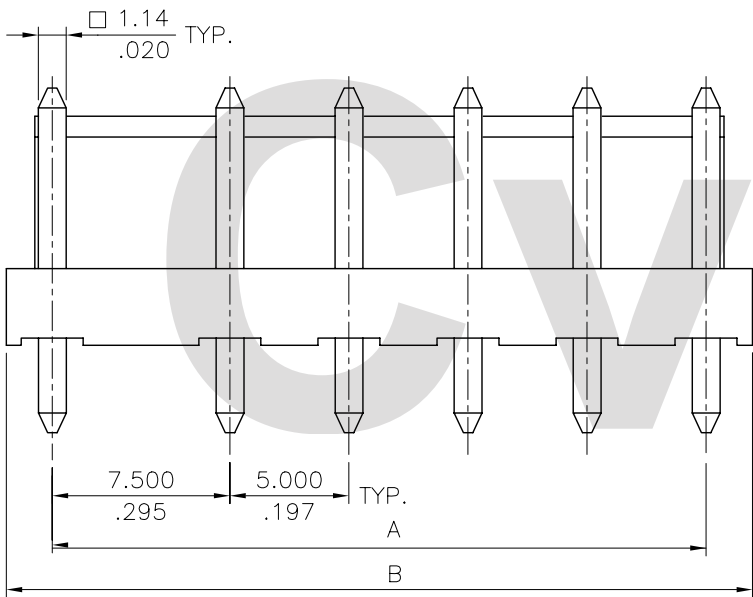
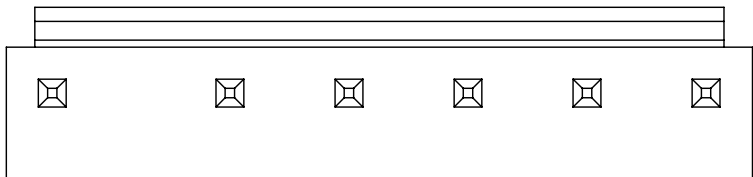
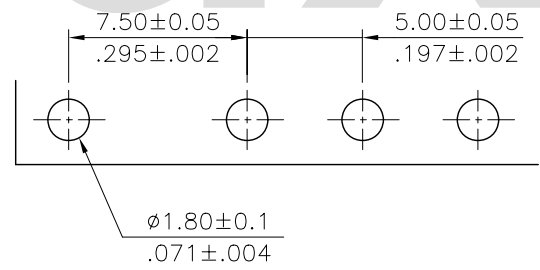


Material:  
 \* Insulation: Nylon 66 UL 94V-0  
 Color Nature  
 \* Contact: Brass





Circuits	Dimension	
	A	B
2	7.50(.295)	12.4(.488)
3	12.50(.492)	17.4(.685)
4	17.50(.689)	22.4(.882)
5	22.50(.886)	27.4(1.079)
6	27.50(1.083)	32.4(1.276)
7	32.50(1.280)	37.4(1.472)
8	37.50(1.476)	42.4(1.669)
9	42.50(1.673)	47.4(1.866)
10	47.50(1.870)	52.4(2.063)
11	52.50(2.067)	57.4(2.260)
12	57.50(2.264)	62.4(2.457)



Recommended P.C. Board Layout

Tin-Lead Process  
 RoHS Compliant

4					DATE	UNIT: mm / inch	TITLE: 7.50-5.00MM(.295"-.197")	 瀚荃股份有限公司 CviLux Corporation	
3				DRAWN BY: Sandy	08/15-96'	TOLERANCE UNLESS OTHERWISE SPECIFIED	STRAIGHT HEADERS		
2				ENGINEER: David	08/15-96'	.X ± 0.38 / .015    X' ± 1"	MATERIAL:		
1				CHECKED BY: Alex	08/15-96'	.XX ± 0.25 / .010    .X' ±	FINISH:		
SYM	NAME	DATE		REVISIONS	APPROVED BY: Alex	08/15-96'	.XXX ± 0.15 / .006    .XX' ±		DRAWING NO. CI7601SA
								SCALE 3 / 1	SHEET 1 OF 1