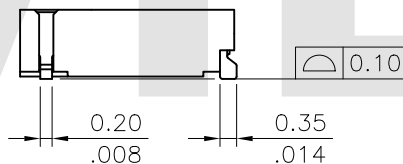
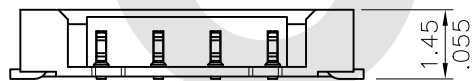


Recommended P.C.B Layout



Material :

- * Base:
High Temperature Plastic UL 94V-0
Black Color (Halogen-Free)
- * Contact :
Phosphor Bronze
- * Tab :
Brass, With Tin plated

Ordering Code:

CI63 ** M 2 V R 0 -NH
① ② ③ ④ ⑤ ⑥ ⑦ ⑧

- ① Series No.
- ② No. of Circuits:
- ③ M= SMT Type
- ④ Plating: 2= Gold flash over 50μ” min. Nickel
- ⑤ Type: V= Vertical Type
- ⑥ Packing Options: R= Tape & Reel packing
- ⑦ Other Option: 0= Standard
- ⑧ -NH= For Lead Free IR Processes and Halogen-Free

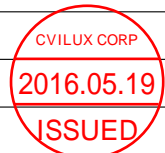
Circuits	DIM.A	DIM.B	DIM.C	DIM.D
2	1.2(.047)	4.6(.181)	3.3(.130)	2.6(.102)
4	2.4(.094)	5.8(.228)	4.5(.177)	3.8(.150)
8	8.4(.331)	11.8(.465)	10.5(.413)	9.8(.386)
10	10.8(.425)	14.2(.559)	12.9(.507)	12.2(.480)

Halogen-Free

Lead Free Process

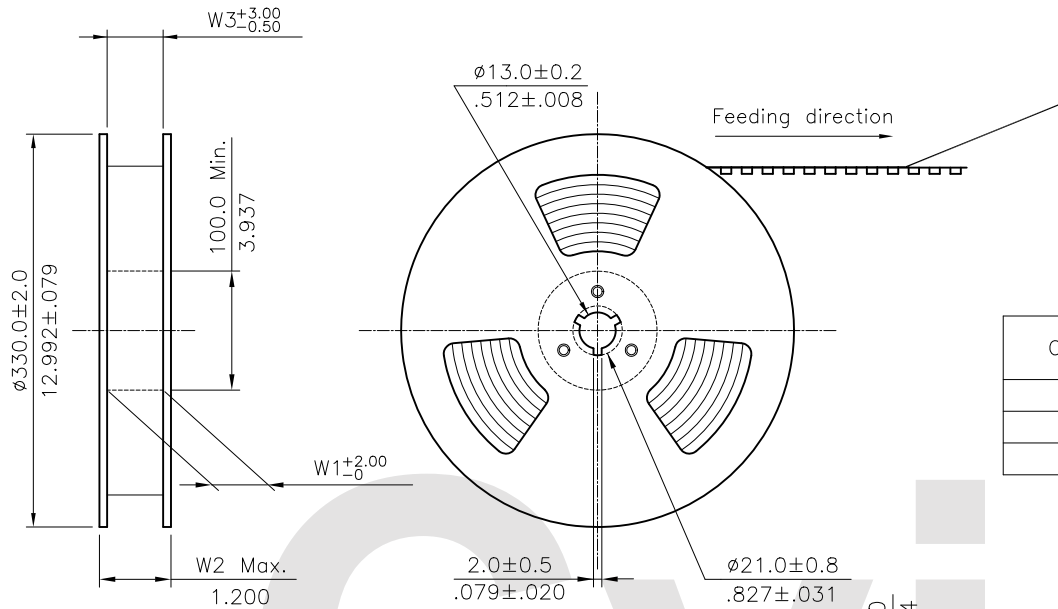
RoHS compliant

④					DATE	UNIT: mm / inch	TITLE: 1.20mm Wire to Board CONNECTOR	 瀚荃股份有限公司 CviLux Corporation
③					DRAWN BY: Clark	TOLERANCE UNLESS OTHERWISE SPECIFIED	MATERIAL:	
②					ENGINEER: Clark	.X ± 0.25/.010 X: ± r	FINISH:	
①	Clark	05/06-16	ECNT116090		CHECKED BY: Eisley	.XX ± 0.15/.006 X: ±		
SYM	NAME	DATE	REVISIONS		APPROVED BY: Eisley	.XXX ± 0.10/.004 XX: ±		DRAWING NO. CI6304SA PART NO. CI63**M2VR0-NH SCALE 6 / 1 SHEET 1 OF 2

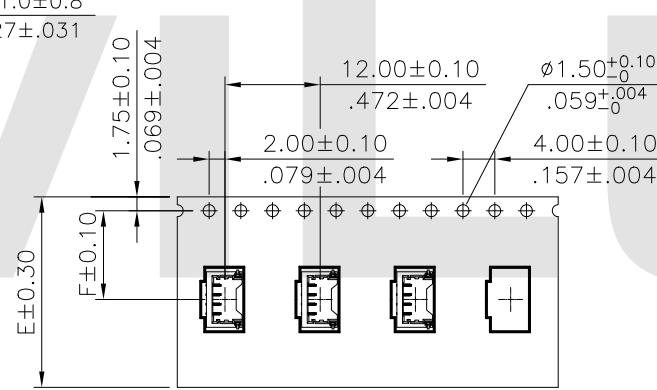
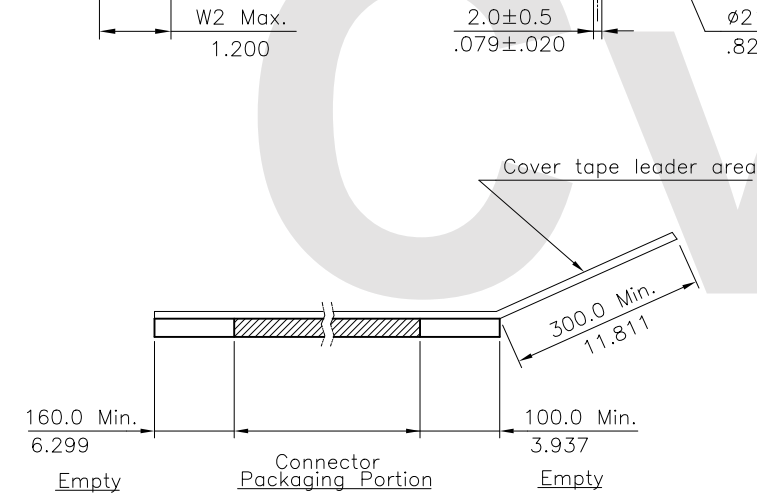


NOTE :

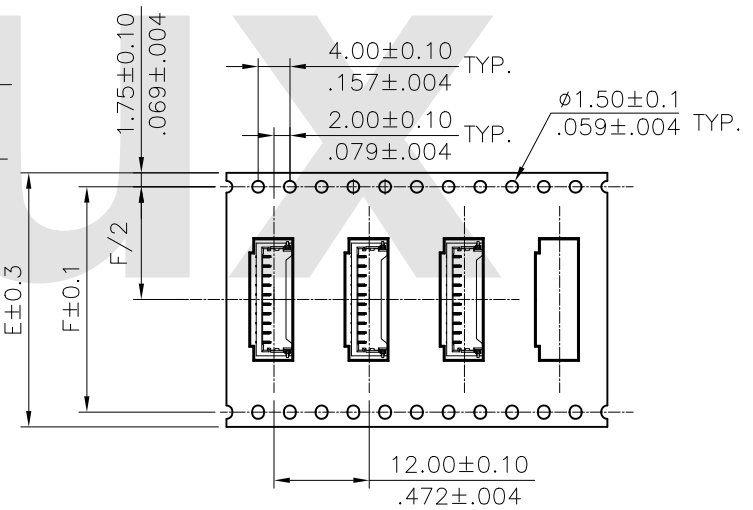
- * Reel Material : Corrugated Paper
- * Carrier Material : Clear, Conductive Polystyrene Alloy
- * Cover Tape Material : Polyester
- * Cover Tape Peel Strength : 0.1N – 1.3N
- * Carrier camber is within 1mm in 100mm
- * All dimensions meet EIA-481-2 & EIA-481-3 requirements.
- * Quantity : 3000 PCS/Reel



Circuits	Dimension					Packing (Reel/Caton)
	E	F	W1	W2	W3	
02	16.0(.630)	7.5(.295)	16.5(.650)	22.5(.886)	16.5(.650)	11
04,08	24.0(.945)	11.5(.453)	24.5(.965)	30.5(1.200)	24.5(.965)	9
10	32.0(1.260)	28.5(1.122)	32.5(1.280)	38.5(1.516)	32.5(1.280)	7



WIDTH : 16,24 mm Carrier



WIDTH : 32 mm Carrier

RoHS Compliant

CVILUX CORP
2016.05.19
ISSUED

REV	SYM	NAME	DATE	REVISIONS	APPROVED BY:	DATE	UNIT: mm / inch	TOLERANCE UNLESS OTHERWISE SPECIFIED	TITLE:	
4										
3										
2										
1	Clark	05/06-16	ECNT116090		Clark	5/06-16'	.X ± 0.25/.010	.X' ± r'	MATERIAL:	
					Clark	5/06-16'	.XX ± 0.15/.006	.X' ±		FINISH:
					Eisley	5/11-16'	.XXX ± 0.08/.003	.XX' ±		

瀚荃股份有限公司
CviLux Corporation

DRAWING NO.	CI6304SA	PART NO.	CI63**M2VR0-NH
SCALE		SHEET	2 OF 2