

Material:

* Insulation: Nylon 6T UL 94V-0
Color Nature

* Contact: Brass

Ordering Code:

CI52 ** P 1 V 00 -NH
① ② ③ ④ ⑤ ⑥ ⑦

① Series No.

② No. of Circuits:

③ P= Pin header

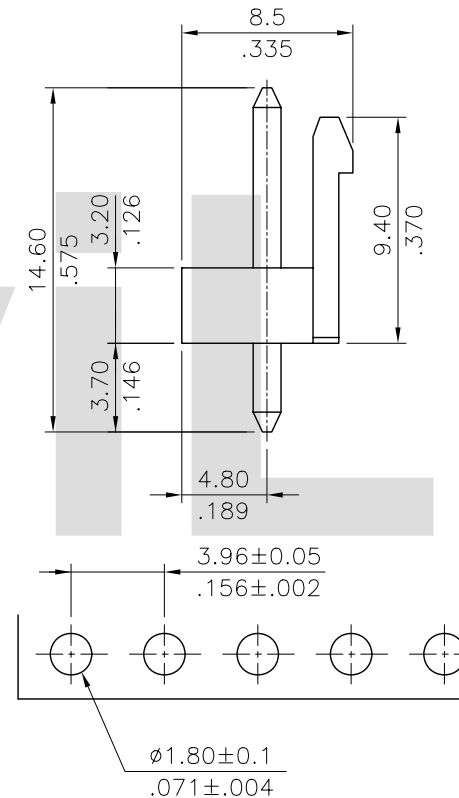
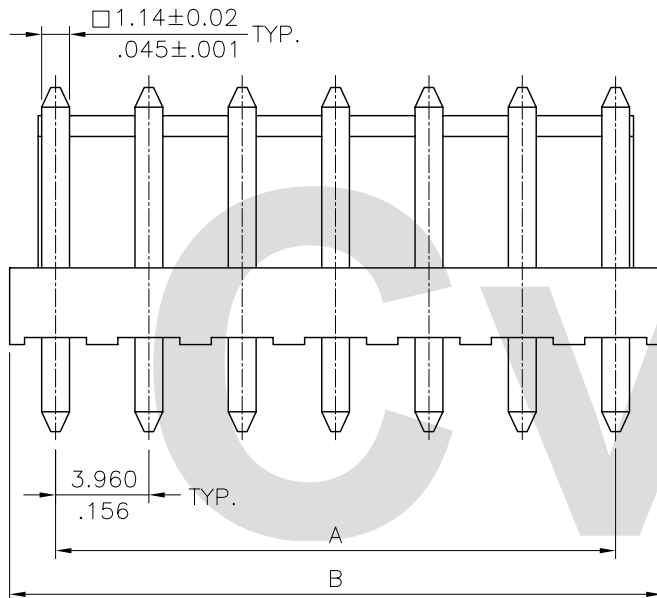
④ Plating: 1= 3.05 μ m(120 μ "") Min. Tin over
0.76 μ m(30 μ "") Nickel
(Matte Tin Plated)

2= Gold flash plated over
1.27 μ m(50 μ "") Nickel

⑤ Type: V= Straight

⑥ Other option: 00= Standard

⑦ NH= For Lead Free IR Processes and Halogen-Free




Circuits	Dimension	
	A	B
2	3.96(.156)	7.8(.307)
3	7.92(.312)	11.8(.465)
4	11.88(.468)	15.8(.622)
5	15.84(.624)	19.7(.776)
6	19.80(.780)	23.7(.933)
7	23.76(.936)	27.6(1.087)
8	27.72(1.091)	31.6(1.244)
9	31.68(1.247)	35.5(1.398)
10	35.64(1.403)	39.5(1.555)
11	39.60(1.559)	43.5(1.713)
12	43.56(1.715)	47.4(1.866)

Recommended P.C. Board Layout

Halogen-Free

Lead Free Process

RoHS Compliant

④						DATE	UNIT: mm / inch	TITLE: 3.96MM(.156") STRAIGHT HEADERS	 瀚荃股份有限公司 CviLux Corporation
③						DRAWN BY: Eager	TOLERANCE UNLESS OTHERWISE SPECIFIED	MATERIAL:	
②						ENGINEER: Eisley	.X ± 0.38/.015 X: ± 1"	FINISH:	
①	Eager	09/03-08'	ECN08428			CHECKED BY: Alex	.XX ± 0.25/.010 .X: ±		
SYM	NAME	DATE	REVISIONS			APPROVED BY: Alex	.XXX ± 0.10/.004 .XX: ±	DRAWING NO. CI5272SA	PART NO. CI52**P*V00-NH
								SCALE 3 / 1	SHEET 1 OF 1

CVILUX.XORP
2008.09.09
ISSUED