

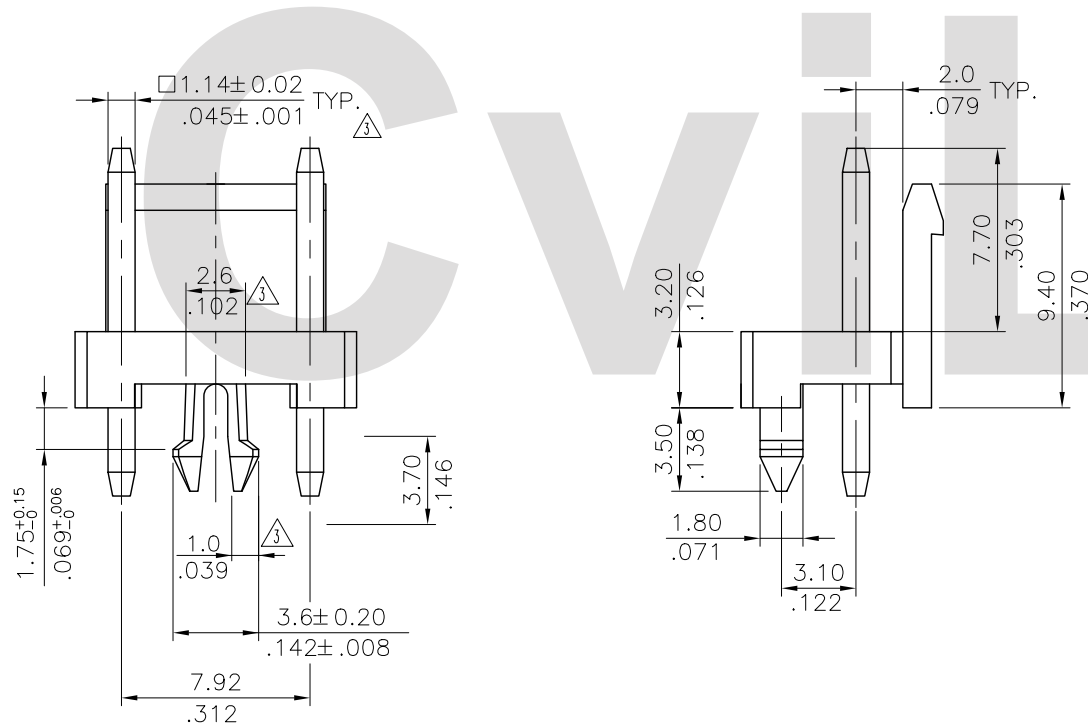
Material:

- * Insulation:
Nylon 66+30% G.F. UL 94V-0
Color Nature (Halogen-Free)
- * Contact: Brass

Recommended P.C. Board Layout

Ordering Code:

CI52 02 P 1 V D0
① ② ③ ④ ⑤ ⑥



- ① Series No.
- ② No. of Circuits : 02 PIN
- ③ P= Pin header
- ④ Plating: 1= 3.05um(120u") Min. Matte Tin over 0.76um(30u") Nickel
- ⑤ Type: V= Straight
- ⑥ D0= With Board Lock

Halogen-Free Wave Flow Process RoHS compliant

④					DATE	UNIT: mm / inch	TITLE: CI52 7.92mm pitch STRAIGHT HEADERS	瀚荃股份有限公司 CviLux Corporation
③	Enya	2/18-13'	ECN13046-0/ECN13001-0/ECR13003-1	DRAWN BY: Enya	2/20-13'	TOLERANCE UNLESS OTHERWISE SPECIFIED	MATERIAL:	
②	Steven	3/30-12'	ECN12043-0	ENGINEER: Eisley	2/26-13'	.X ± 0.38/.015 X' ± 1"	CUSTOMER:	DRAWING NO. CI5208AC PART NO. CI5202P1VDO
①	Steven	12/21-11	ECN11284	CHECKED BY: Eisley	2/26-13'	.XX ± 0.25/.010 .X' ±	SCALE 3 / 1	SHEET 1 OF 1
SYM	NAME	DATE	REVISIONS	APPROVED BY: David	2/26-13'	.XXX ± 0.10/.004 .XX' ±		

CVILUX CORP
2013.03.07
ISSUED