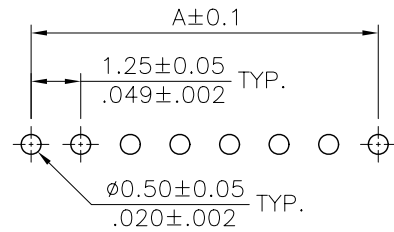


ORDERING CODE:

CI44 ** P 1 H 00 -LF
 ① ② ③ ④ ⑤ ⑥ ⑦

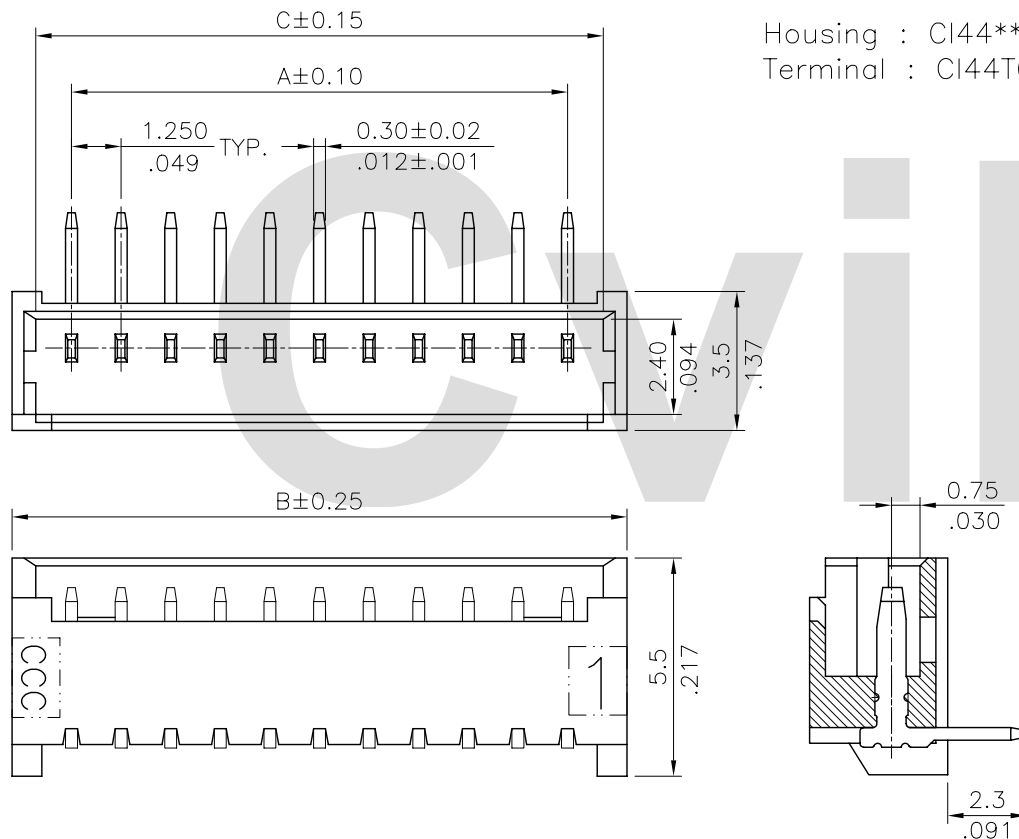
- ① SERIES NO.:
- ② NO. OF CIRCUITS: 02 TO 15
- ③ CONTACTS TYPE: P= Plug
- ④ PLATING OPTION:
1= Matte Tin over Nickel plated
- ⑤ TAIL STYLE: H= Right Angle
- ⑥ OPTION: 00= Standard
- ⑦ OTHER OPTION:
LF= For Leadfree IR Processes



Recommended P.C. Board Layout

△ Note:

- * Material :
Insulation: Nylon 46+40% G.F UL 94V-0
Color Nature(Ivory)
Contact : Phosphor Bronze
- * Recommended mating part:
Housing : CI44**S0000
Terminal : CI44T011PP0



Circuits	Dimension		
	A	B	C
2	1.25(.049)	4.35(.171)	3.15(.124)
3	2.50(.098)	5.6(.220)	4.40(.173)
4	3.75(.148)	6.85(.270)	5.65(.222)
5	5.00(.197)	8.1(.319)	6.90(.272)
6	6.25(.246)	9.35(.368)	8.15(.321)
7	7.50(.295)	10.6(.417)	9.40(.370)
8	8.75(.344)	11.85(.467)	10.65(.419)
9	10.00(.394)	13.1(.516)	11.90(.469)
10	11.25(.443)	14.35(.565)	13.15(.518)
11	12.50(.492)	15.6(.614)	14.40(.567)
12	13.75(.541)	16.85(.663)	15.65(.616)
13	15.00(.591)	18.1(.713)	16.90(.665)
14	16.25(.640)	19.35(.762)	18.15(.715)
15	17.50(.689)	20.6(.811)	19.40(.764)

RoHS Compliant

△4						DATE	UNIT: mm / inch	TITLE: 1.25MM(.049")	瀚荃股份有限公司 CviLux Corporation
△3					DRAWN BY: Eager	02/27-07'	TOLERANCE UNLESS OTHERWISE SPECIFIED	RIGHT ANGLE HEADER	
△2					ENGINEER: Eisley	03/01-07'	.X ± 0.25/.010	MATERIAL:	DRAWING NO. CI4432SB PART NO. CI44**P1H00-LF
△1	Eager	02/13-07'	ECRO7015-0/ECN07050		CHECKED BY: David	03/01-07'	.XX ± 0.15/.006	FINISH:	
SYM	NAME	DATE	REVISIONS		APPROVED BY: Alex	03/01-07'	.XXX ± 0.08/.003		SCALE 5 / 1 SHEET 1 OF 1

CVILUX CORP.
 2007.03.06
 ISSUED