

Note:

* Material:

Insulation:

Nylon 9T UL 94V-0, Color Nature

Contact : Phosphor Bronze

△ Fixed Tab : Brass with Matte Tin Plated

* Recommended mating part:

Housing : CI44**S0000-L

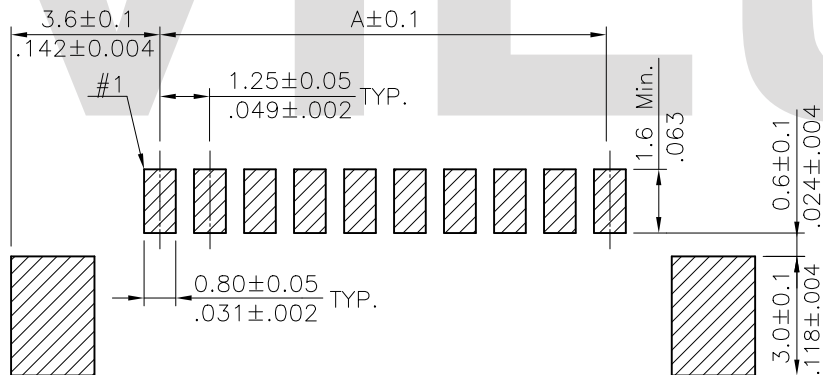
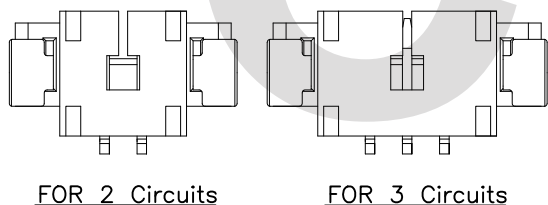
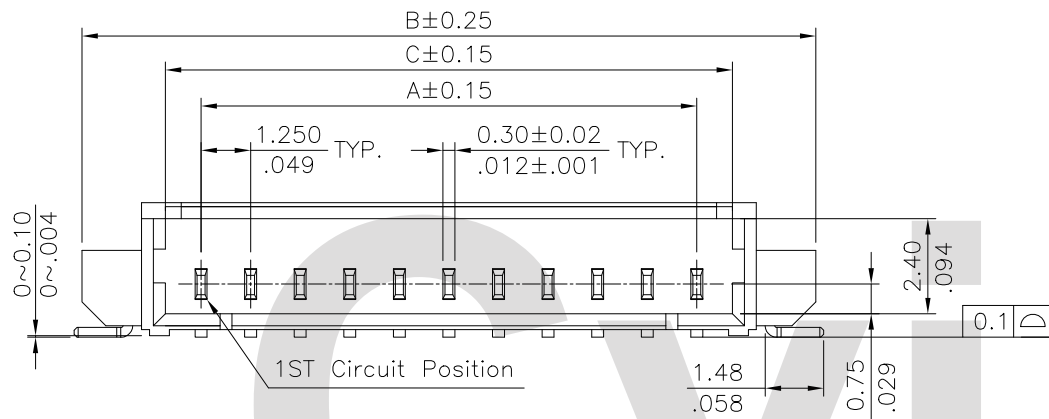
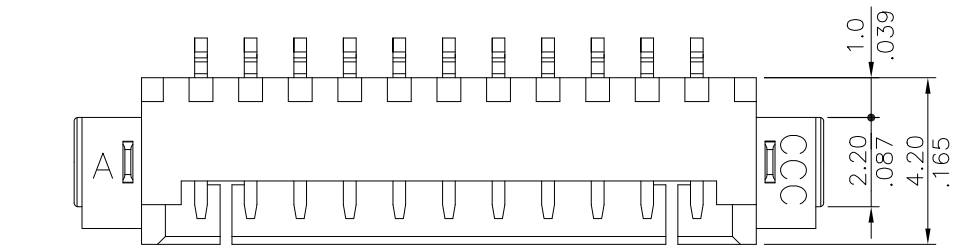
Terminal : CI44T011PPO

* For Lead-Free IR Reflow process

ORDERING CODE:

CI44 ** M * H ** -LF
 ① ② ③ ④ ⑤ ⑥ ⑦

- ① Series No.:
- ② No. of circuits: 02 TO 15
- ③ Contacts type: M= SMT
- ④ Plating option:
 1= Matte Tin Plated over Nickel
 2= Gold flash plated over Nickel
- ⑤ Tail style: H= Right angle
- ⑥ Option: 00= Standard(Tube packing)
 R0= Tape & Reel packing
- ⑦ Other option:
 LF= For Leadfree IR Processes



Sold Pad Pattern

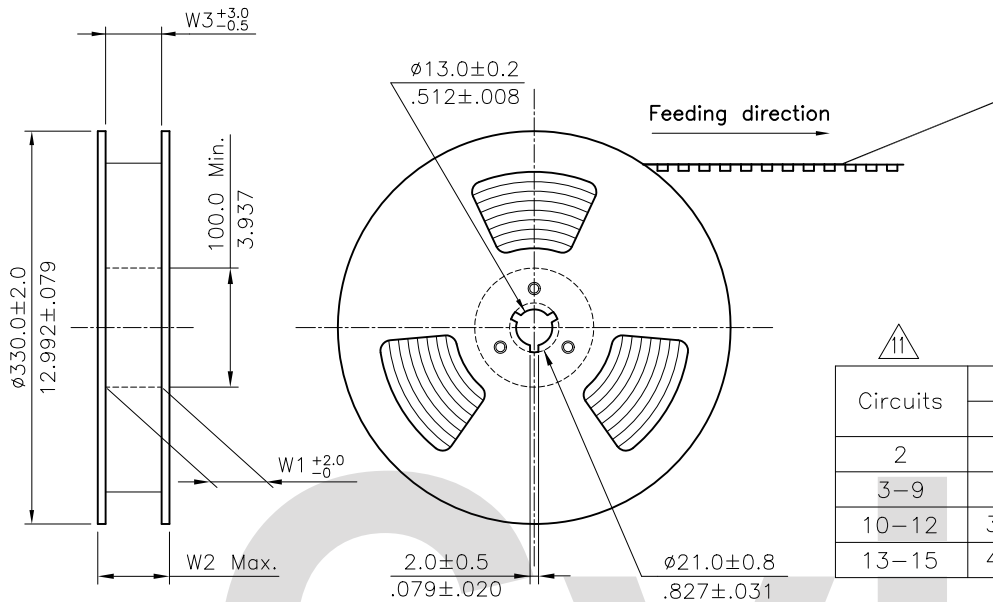
A = 1.25 x No. of Spaces
 B = A + 6.1
 C = A + 1.9

* Available in 2 through 15 circuits

Lead Free Process

RoHS Compliant

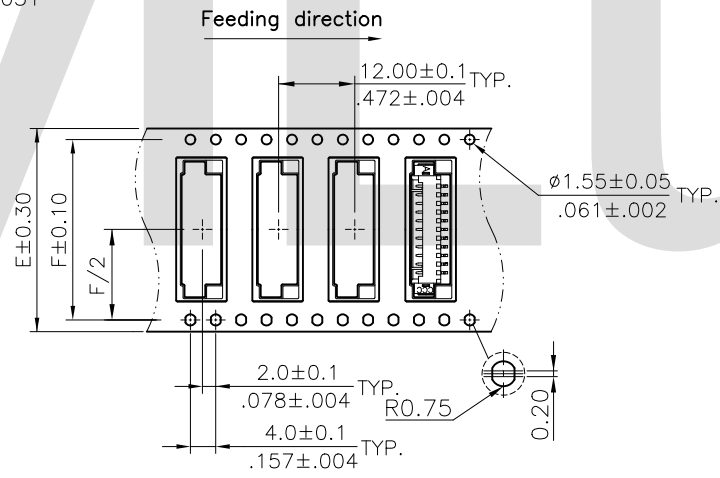
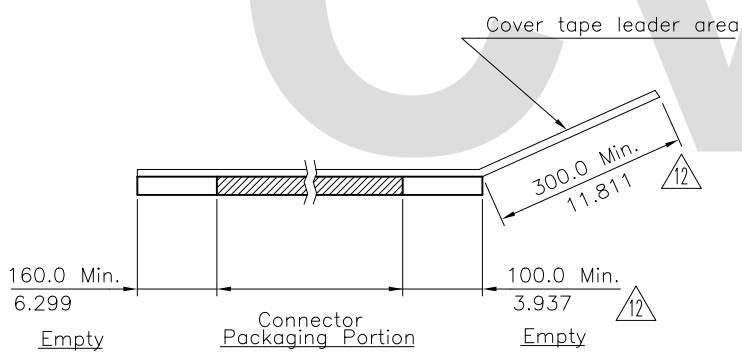
△12	Karen	12/09-14'	ECNT114252/ECRT114090		DATE	UNIT: mm / inch	TITLE: 1.25MM(.049")	瀚荃股份有限公司 CviLux Corporation	
△11	Enya	7/26-12'	ECN12176-0 /ECR12061-1		DRAWN BY: Karen	12/25-14'	TOLERANCE UNLESS OTHERWISE SPECIFIED		RIGHT ANGLE SMT TYPE HEADER
△10	Karen	4/19-11'	ECN11071/ECR11010-1		ENGINEER: Sun	12/26-14'	.X ± 0.25/.010 X' ± 1'		MATERIAL:
△9	Sun	12/21-07'	ECN07544		CHECKED BY: Eisley	12/29-14'	.XX ± 0.15/.006 X' ±		FINISH:
SYM	NAME	DATE	REVISIONS	APPROVED BY: Eisley	12/29-14'	.XXX ± 0.08/.003 .XX' ±		DRAWING NO. CI4420SM PART NO. CI44**M*H**-LF	
								SCALE 5 / 1 SHEET 1 OF 2	



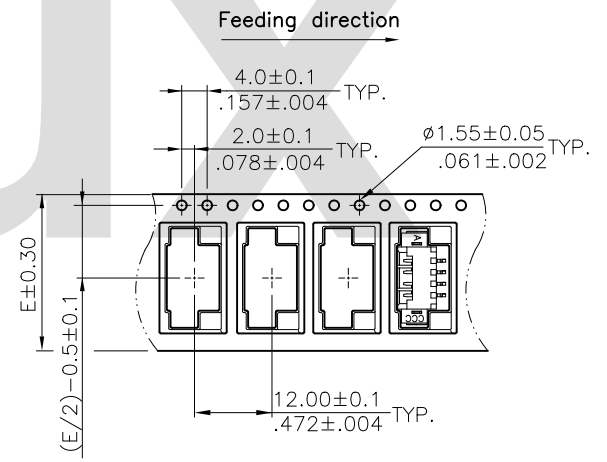
NOTE :

- * Reel Material : CORRUGATED PAPER
- * Carrier Material : Clear, Conductive Polystyrene Alloy
- * Cover Tape Material : Polyester
- * Cover Tape Peel Strength : 0.1N – 1.3N
- * Carrier camber is within 1mm in 100mm
- * All dimensions meet EIA-481-2 & EIA-481-3 requirements.
- * Quantity : 1400 PCS/Reel

Circuits	Dimension					Packing (Reel/Caton)
	E	F	W1	W2	W3	
2	16.0(.630)	---	16.5(.650)	22.5(.886)	16.5(.650)	11
3-9	24.0(.945)	---	24.5(.965)	30.5(1.201)	24.5(.965)	9
10-12	32.0(1.260)	28.40(1.118)	32.5(1.280)	38.5(1.516)	32.5(1.280)	7
13-15	44.0(1.732)	40.40(1.591)	44.5(1.752)	50.5(1.988)	44.5(1.752)	5



WIDTH : 32.44 mm Carrier



WIDTH : 16.24 mm Carrier

RoHS Compliant

12	Karen	12/09-14'	ECNT114252/ECRT114090	 2015.01.16 ISSUED	DATE	UNIT: mm / inch	TITLE: 1.25MM(.049")	 瀚荃股份有限公司 CviLux Corporation	
11	Enya	7/26-12'	ECN12176-0 /ECR12061-1		DRAWN BY: Karen	12/25-14'	TOLERANCE UNLESS OTHERWISE SPECIFIED		RIGHT ANGLE SMT TYPE HEADER
10	Karen	4/19-11'	ECN11071/ECR11010-1		ENGINEER: Sun	12/26-14'			MATERIAL:
9	Sun	12/21-07'	ECN07544		CHECKED BY: Eisley	12/29-14'	.X ± X' ± 1'	FINISH:	
SYM	NAME	DATE	REVISIONS		APPROVED BY: Eisley	12/29-14'	.XX ± X' ±		DRAWING NO. CI4420SM PART NO. CI44**M**H**-LF
						.XXX ± X' ±		SCALE SHEET 2 OF 2	