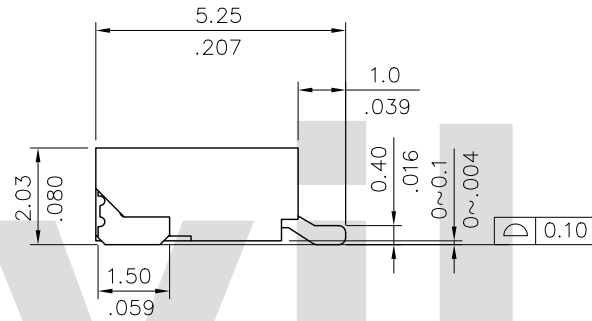
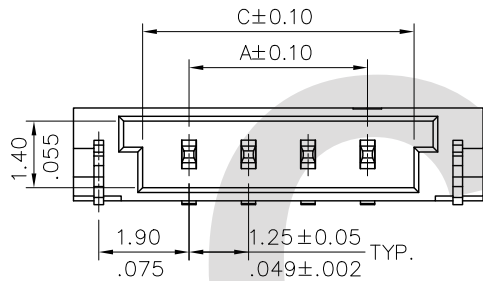
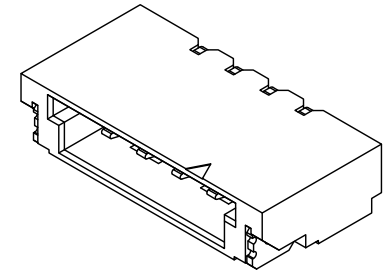


NOTE:
 Material :
 * Base : High Temperature plastic UL 94V-0
 Color Black
 * Contact : Copper alloy
 * Fixed tab : Matte Tin plated over Nickel

ORDERING CODE

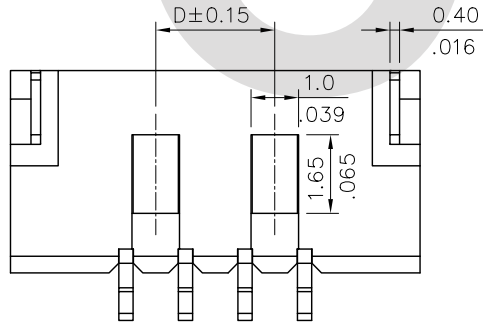
CI43 ** M * H * 0 -NH
 ① ② ③ ④ ⑤ ⑥ ⑦ ⑧

- ① Series No.
- ② Contact: 02 to 30
- ③ M= SMT Type Header
- ④ Plating :
 1= 3.05um(120u") Min. Tin over
 1.27um(50u") Nickel(Matte Tin Finish)
 2= Gold flash plated over 1.27um(50u") Nickel
- ⑤ Type : H= Side entry
- ⑥ Packing option:
 R= Tape & Reel Packing
- ⑦ Other option:
 0= Standard
- ⑧ -NH= For Lead Free IR Processes and Halogen-Free

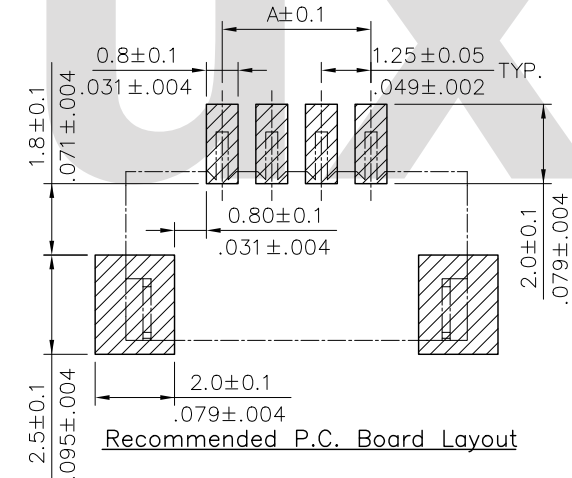
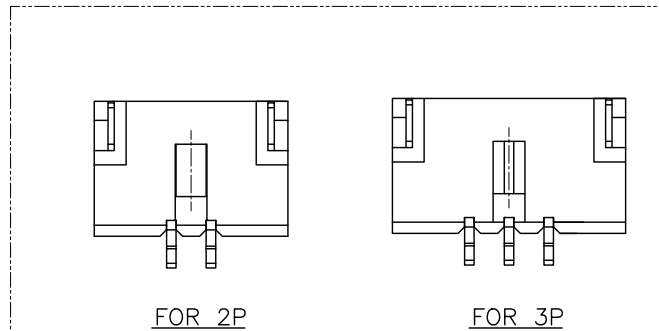


DIM. A = 1.25 x NO. OF SPACES
 DIM. B = DIM. A + 4.85
 DIM. C = DIM. A + 1.95
 DIM. D = DIM. A - 1.25

* AVAILABLE IN 2 THROUGH 30



FOR 4P~30P



Halogen-Free

Lead Free Process

RoHS Compliant

④									
③									
②									
①	Enya	8/30-12'	ECR12043-2/ECN12209-0						
SYM	NAME	DATE	REVISIONS	APPROVED BY:	David	9/03-12'	CHECKED BY:	Eisley	9/03-12'
				ENGINEER:	Eisley	9/03-12'	DRAWN BY:	Enya	8/30-12'
							UNIT:	mm / inch	
							TOLERANCE UNLESS OTHERWISE SPECIFIED		
							.X ± 0.30/.012	X' ± '1	
							.XX ± 0.20/.008	.X' ±	
							.XXX ± 0.10/.004	.X' ±	

CVILUX CORP
 2012.09.14
 ISSUED

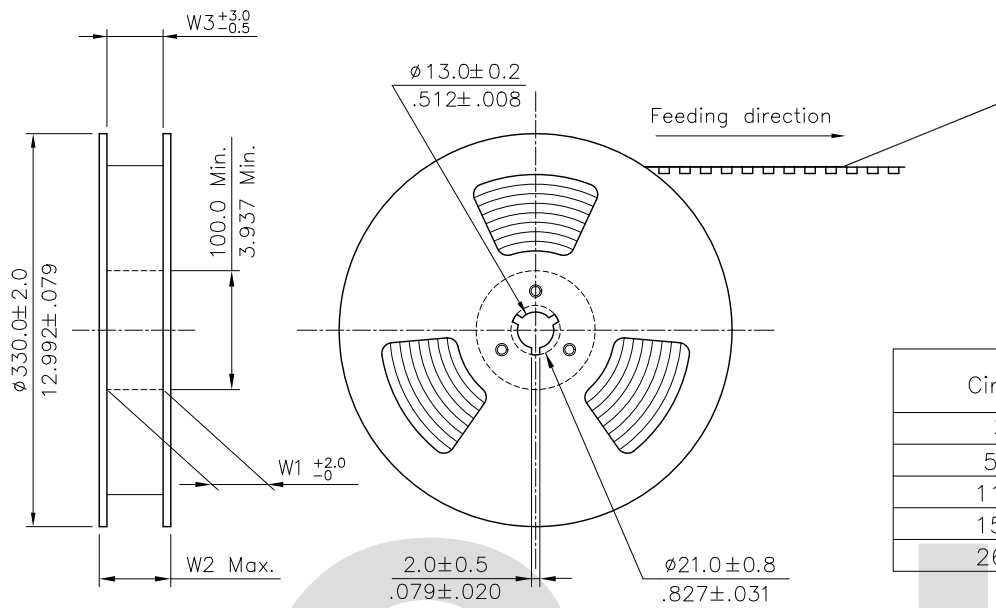
TITLE: 1.25mm Pitch WTB
 SMT R/A TYPE

MATERIAL:

FINISH:



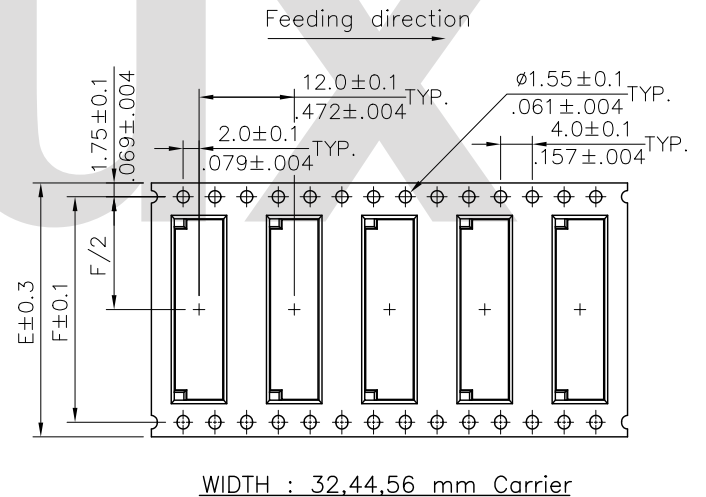
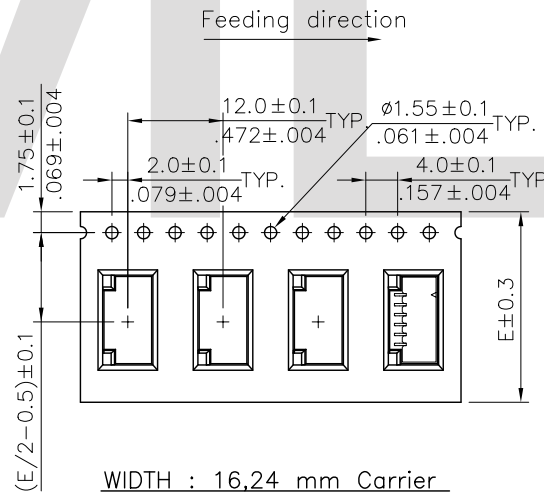
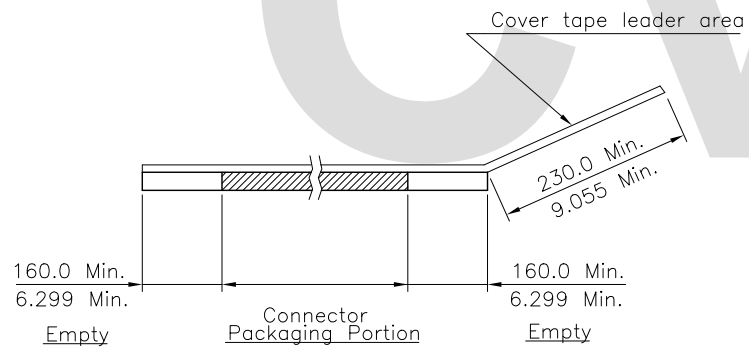
DRAWING NO.	CI4301SB	PART NO.	CI43**M*H*0-NH
SCALE	6 / 1	SHEET	1 OF 2



NOTES:

1. 10 sprocket hole pitch cumulative tolerance ± 0.20
2. Carrier camber is within 1 mm in 250 mm.
3. Material : Black, Polystyrene alloy
4. All dimensions meet EIA-481-C requirements.
5. Thickness : 0.30 ± 0.05 mm.
6. Packing length per 22" Reel : 92.4 Meters.
7. Component load per 13" Reel : 2500 pcs.

Circuits	Dimension					Packing (Reel/Caton)
	E	F	W1	W2	W3	
2~4	16.0(.630)	—	16.5(.650)	22.5(.885)	16.5(.650)	11
5~10	24.0(.945)	—	24.5(.965)	30.5(1.200)	24.5(.965)	9
11~14	32.0(1.260)	28.40(1.118)	32.5(1.280)	38.5(1.516)	32.5(1.280)	7
15~25	44.0(1.732)	40.40(1.591)	44.5(1.752)	50.5(1.988)	44.5(1.752)	5
26~30	56.0(2.204)	52.40(2.603)	56.5(2.224)	62.5(2.461)	56.5(2.224)	4



RoHS Compliant

④								<p>UNIT: mm / inch</p> <p>TOLERANCE UNLESS OTHERWISE SPECIFIED</p> <p>.X ± X' ± ' "</p> <p>.XX ± .X' ± ' "</p> <p>.XXX ± .XX' ± ' "</p>	<p>TITLE: 1.25mm Pitch WTB SMT R/A TYPE</p> <p>MATERIAL:</p> <p>FINISH:</p>	<p>瀚荃股份有限公司</p> <p>CviLux Corporation</p>				
③			<p>2012.09.14</p> <p>ISSUED</p>		<p>DRAWN BY: Enya</p> <p>ENGINEER: Eisley</p>	<p>8/30-12'</p> <p>9/03-12'</p>								
②					<p>CHECKED BY: Eisley</p> <p>APPROVED BY: David</p>	<p>9/03-12'</p> <p>9/03-12'</p>								
①	Enya	8/30-12'	ECR12043-2/ECN12209-0											
SYM	NAME	DATE	REVISIONS								DRAWING NO.	CI4301SB	PART NO.	CI43**M*H*0-NH
											SCALE		SHEET	2 OF 2