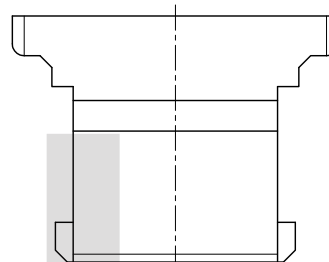
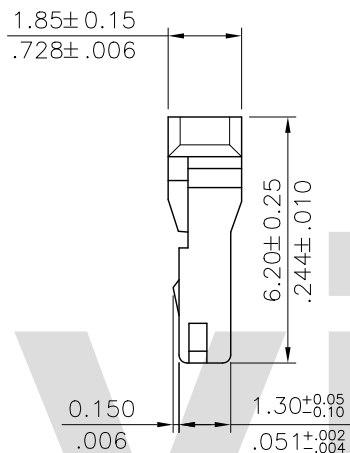
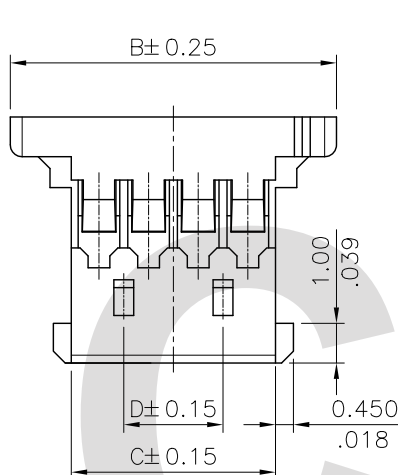


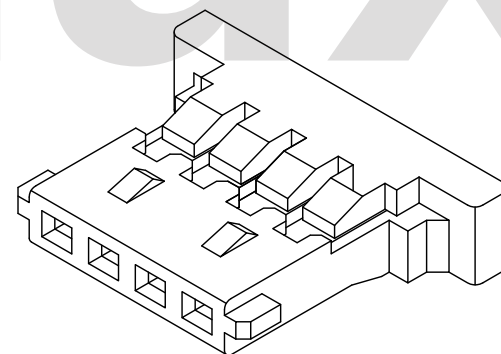
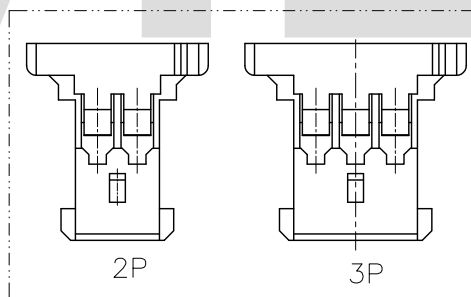
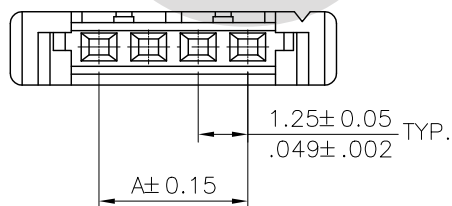
Material:
 NYLON 66 UL 94V-0,
 Color Nature

Ordering Code:
 CI42 ** S L 000
 ① ② ③ ④ ⑤

- ① Series No.
- ② Contact: 02 to 30
- ③ S= Female
- ④ L= With Locking Latch
- ⑤ Option:
 000=Standard(Color Nature)



A = 1.25 * No. of Space
 B = A + 4.47
 C = A + 1.4
 D = A - 1.25



Halogen-Free

RoHS Compliant



④					DATE	UNIT: mm / inch	TITLE:	瀚荃股份有限公司 CviLux Corporation				
③				DRAWN BY:	Karen	11/15-12'	CI42 SERIES HOUSING					
②				ENGINEER:	Eisley	11/15-12'	TOLERANCE UNLESS OTHERWISE SPECIFIED	MATERIAL:	DRAWING NO.	CI4208SA	PART NO.	CI42**SL000
①				CHECKED BY:	Eisley	11/15-12'	.X ± 0.25/.095 X' ± 1"	FINISH:	SCALE	5/1	SHEET	1 OF 1
SYM	NAME	DATE	REVISIONS	APPROVED BY:	David	11/15-12'	.XX ± 0.15/.006 .X' ±					
							.XXX ± 0.08/.003 .XX' ±					