

Material:

* Insulation: High temperature plastic UL 94V-0

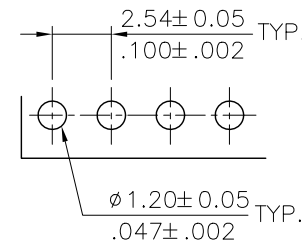
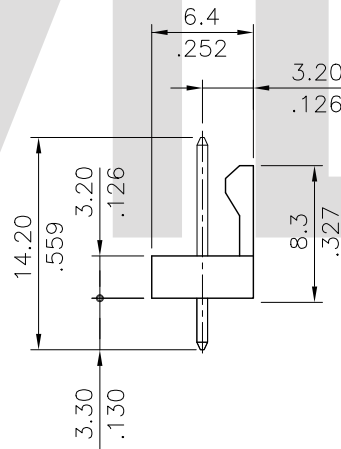
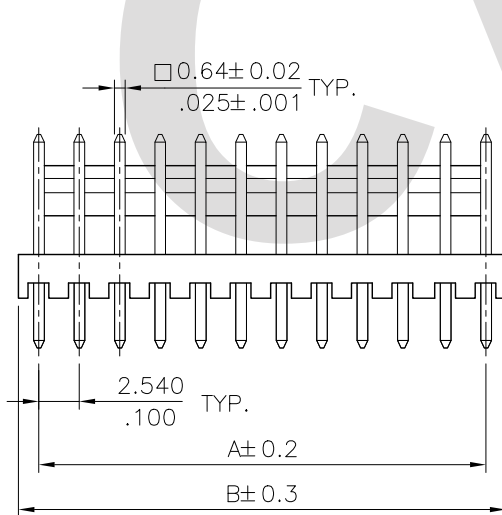
* Contact: Brass

Ordering Code:

CI31 ① ② ③ ④ ⑤ ⑥ ⑦ ⑧

- ① Series No.
- ② No. of Circuits
- ③ Contact type: P= Pin header
- ④ Plating option:
1= 3.05μm(120μ") Min. Matte Tin plated over 0.76μm(30μ") Nickel
- ⑤ Tail Style: V= Vertical
- ⑥ Color: 0= Nature
- ⑦ Option: L= Low Profile Type
- ⑧ NH= Halogen-Free

Circuits	Dimension	
	A	B
2	2.54(.100)	5.1(.200)
3	5.08(.200)	7.6(.300)
4	7.62(.300)	10.2(.400)
5	10.16(.400)	12.7(.500)
6	12.70(.500)	15.2(.600)
7	15.24(.600)	17.9(.700)
8	17.78(.700)	20.3(.800)
9	20.32(.800)	22.9(.900)
10	22.86(.900)	25.4(1.000)
11	25.40(1.000)	27.9(1.100)
12	27.94(1.100)	30.5(1.200)
13	30.48(1.200)	33.0(1.300)
14	33.02(1.300)	35.6(1.400)
15	35.56(1.400)	38.1(1.500)
16	38.10(1.500)	40.6(1.600)
17	40.64(1.600)	43.2(1.700)
18	43.18(1.700)	45.7(1.800)
19	45.72(1.800)	48.3(1.900)
20	48.26(1.900)	50.8(2.000)



Recommended P.C. Board Layout

Halogen-Free
RoHS Compliant

④				 2013.07.30 ISSUED		DATE	UNIT: mm / inch	TITLE: 2.54MM(.100") LOW PROFILE STRAIGHT HEADERS	 瀚荃股份有限公司 CviLux Corporation
③					DRAWN BY: Enya	7/16-13'	TOLERANCE UNLESS OTHERWISE SPECIFIED	MATERIAL:	
②	Enya	7/15-13'	ECNT113012		ENGINEER: Eisley	7/23-13'	.X ± 0.30/.012 .X' ± 1"	FINISH:	
①	Tim	7/07-10'	ECN10243		CHECKED BY: Eisley	7/23-13'	.XX ± 0.20/.008 .X' ±		
SYM	NAME	DATE	REVISIONS	APPROVED BY: David	7/23-13'	.XXX ± 0.10/.004 .XX' ±		DRAWING NO. CI3166SB	PART NO. CI31**P1VOL-NH
								SCALE 2 / 1	SHEET 1 OF 1