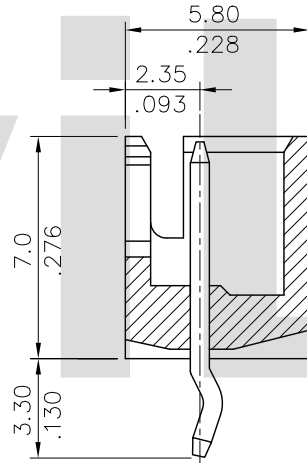
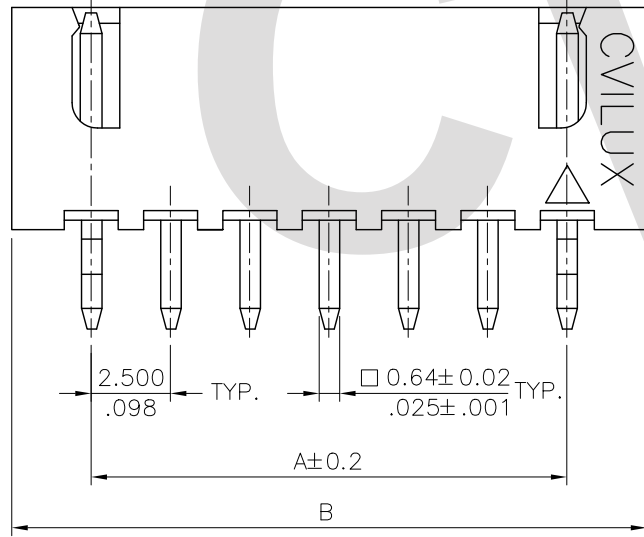


2P

3P~20P



A = 2.50 x No. of Spaces

B = A + 5.0

C = A + 3.5

\* Available in 2 through 20 circuits

Note:

1. Material:

△\* Insulation: High Temperature Plastic  
UL 94V-0 Color Nature

\* Contact: Brass

2. For Lead Free Wave flow Process

△

Ordering Code:

CI22 \*\* P 1 V K0 - LF  
① ② ③ ④ ⑤ ⑥ ⑦

① Series No.

② No. of Circuits

③ Contact type: P= Pin header

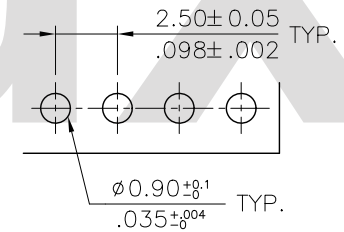
④ Plating option:

1= 3.05μm(120μ") Min. Matte Tin  
plated over 0.76μm(30μ") Nickel

⑤ Type: V= Straight

⑥ Other Option: K0= With Pin Kinked

⑦ LF= For Lead Free Wave flow Process



Recommended P.C. Board Layout

Lead Free Process

RoHS Compliant

④																			
③																			
②	Enya	4/16-13'	ECN13075-0/ECR13027-0		DRAWN BY:	Enya	4/16-13'	TITLE: 2.50MM(.098") STRAIGHT PIN HEADERS	MATERIAL:	FINISH:	瀚荃股份有限公司 CviLux Corporation	DRAWING NO.	CI2229SB	PART NO.	CI22**P1VK0-LF				
①	Enya	3/11-13'	ECN13056-0/ECR13007-1		ENGINEER:	Eisley	4/17-13'					.X ± 0.30/.012	.X* ± r	SCALE	4 / 1	SHEET	1	OF	1
SYM	NAME	DATE	REVISIONS		CHECKED BY:	Eisley	4/17-13'					.XX ± 0.20/.008	.X* ±						
				APPROVED BY:	David	4/17-13'	.XXX ± 0.10/.004					.XX* ±							