

Material:

Base: High temperature plastic UL 94V-0, Color Nature

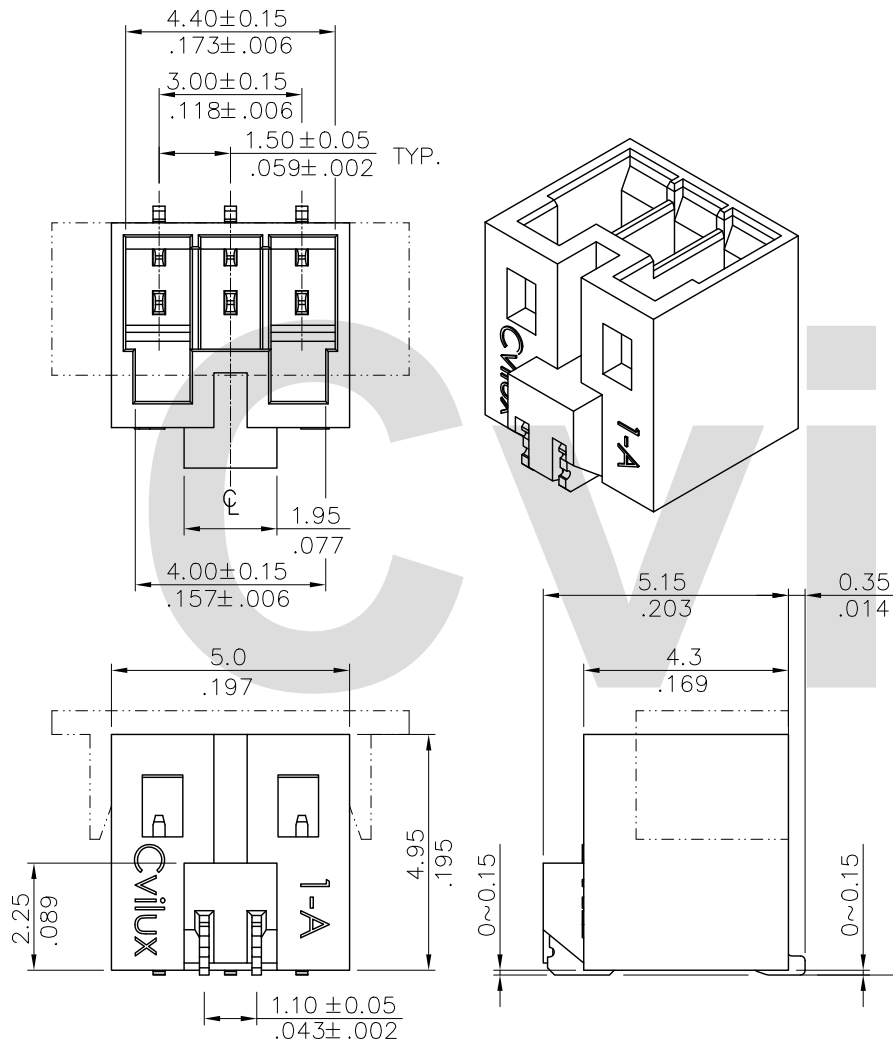
Contact: Copper alloy

Tab: Copper alloy with Matte Tin plated

Ordering Code:

CI17 03 M 1 V R 0 - NH
 ① ② ③ ④ ⑤ ⑥ ⑦ ⑧

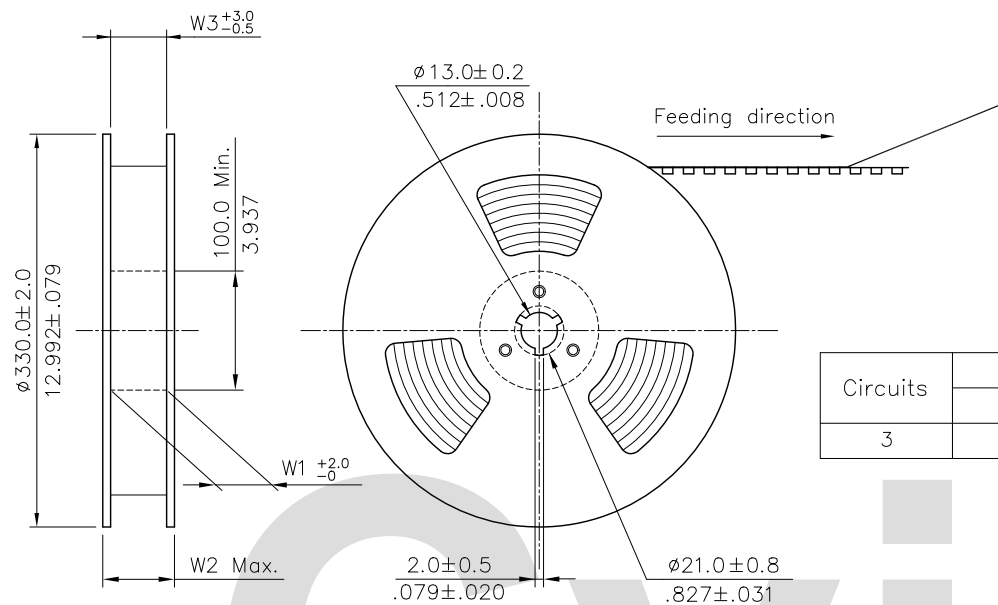
- ① Series No.
- ② No. of Circuits: 3 Pin
- ③ M= SMT type header
- ④ Plating: 1= 3.05um(120u") ~ 4.88um(192u")
Matte Tin over 1.27um(50u") Nickel
- ⑤ Type: V= Straight
- ⑥ R= Tape & Reel packing
- ⑦ Option: 0= Standard
- ⑧ Other option:
-NH= For Lead Free IR Processes and Halogen-Free



Recommended P.C. Board Layout

Halogen-Free
 Lead Free Process
 RoHS Compliant

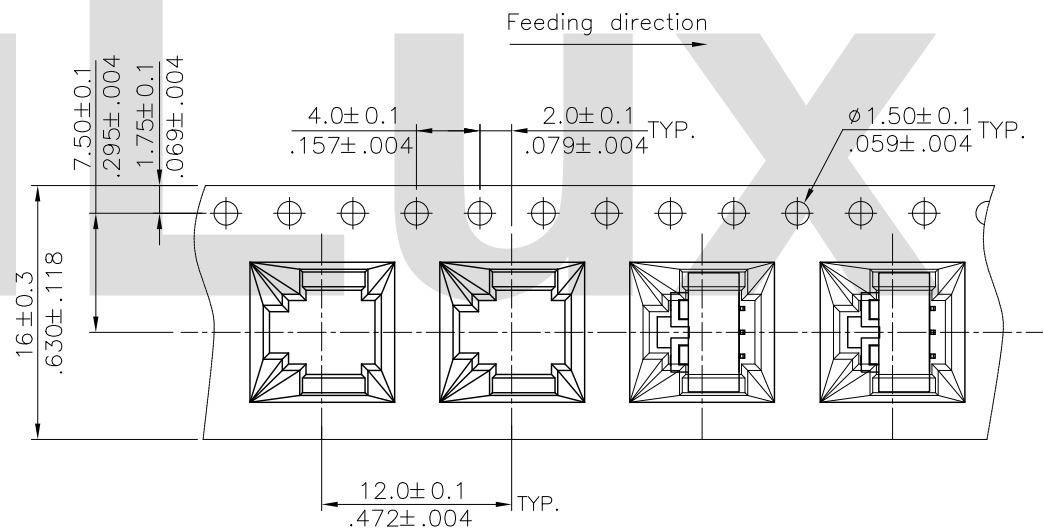
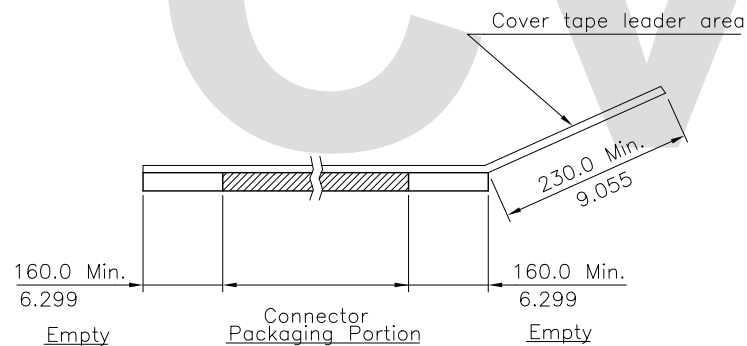
④						UNIT: mm / inch	TITLE: 1.50mm(.059") WIRE TO BOARD CONN. HEADER	瀚荃股份有限公司 CviLux Corporation
③						TOLERANCE UNLESS OTHERWISE SPECIFIED	MATERIAL:	
②	Enya	8/30-12'	ECR12043-2/ECN12209-0	2012.09.14 ISSUED	DRAWN BY: Enya	.X ± 0.30/.012	.X' ± 1'	DRAWING NO. CI1701SB
①	Steven	11/14-11'	ECN11251		ENGINEER: Eisley	.XX ± 0.20/.008	.X' ±	PART NO. CI1703M1VR0-NH
SYM	NAME	DATE	REVISIONS		CHECKED BY: Eisley	.XXX ± 0.10/.004	.XX' ±	SCALE 6 / 1
					APPROVED BY: David			SHEET 1 OF 2



NOTE :

- * Reel Material : Corrugated Paper
- △ * Carrier Material : Black, Polystyrene alloy
- * Cover Tape Material : Polyester
- * Cover Tape Peel Strength : 0.1N – 1.3N
- * Carrier camber is within 1mm in 100mm
- * All dimensions meet EIA-481-2 requirements.
- * Quantity : 900 PCS/Reel

Circuits	Dimension					Packing (Reel/Caton)
	E	F	W1	W2	W3	
3	16.0(.630)	—	16.5(.650)	22.5(.885)	16.5(.650)	11



WIDTH : 16 mm Carrier

RoHS Compliant

SYM	NAME	DATE	REVISIONS	APPROVED BY:	DATE	UNIT: mm / inch	TITLE:	MATERIAL:	CUSTOMER:	DRAWING NO.	PART NO.	SHEET	OF	2
4						mm / inch	1.50mm(.059") WIRE TO BOARD CONN. HEADER			CI1701SB	CI1703M1VR0-NH	2	OF	2
3						TOLERANCE UNLESS OTHERWISE SPECIFIED								
2	Enya	8/30-12'	ECR12043-2/ECN12209-0	ENGINEER:	Enya	.X ±								
1	Steven	11/14-11'	ECN11251	CHECKED BY:	Eisley	.XX ±								
				APPROVED BY:	David	.XXX ±								

CIVILUX CORP
 2012.09.14
 ISSUED

瀚荃股份有限公司
 CviLux Corporation