

Notes:

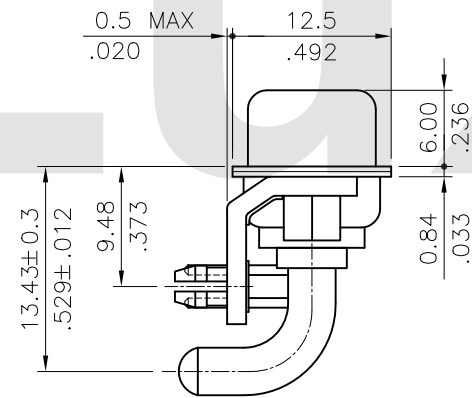
Insulator: Glass filled Polyester UL 94V-0

Contact: Copper alloy

Shell: Steel, Tin plated as standard


High power Contact : Brass with Gold plated

* For Lead Free Wave Flow Process



Lead Free Process
RoHS Compliant

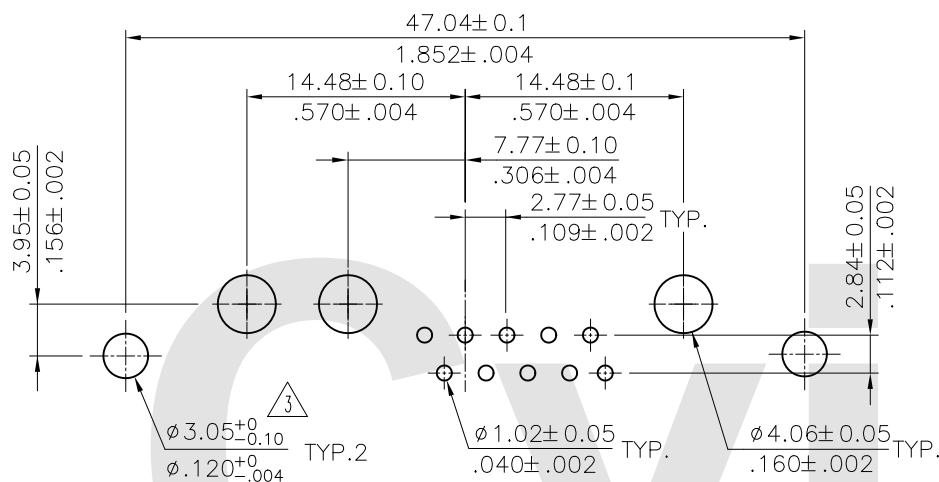
CVILUX CORP
2017.04.27
ISSUED

4					DATE	UNIT: mm / inch	TITLE: 13W3 40A HIGH POWER MALE D-SUB CONNECTOR (RIGHT ANGLE TYPE)	 瀚荃股份有限公司 CviLux Corporation
3	Karen	4/18-17'	ECNT117049/ECRT117003	DRAWN BY:	Karen	4/20-17'	TOLERANCE UNLESS OTHERWISE SPECIFIED	
2	Jim	10/13/06'	ECR06094-0/ECN06369	ENGINEER:	Sun	4/21-17'	.X ± 0.30/.012 X' ± 1'	MATERIAL:
1	SUN	3/24/05'	ECR05025-0/ECN05095	CHECKED BY:	Eisley	4/21-17'	.XX ± 0.20/.008 X' ±	FINISH:
SYM	NAME	DATE	REVISIONS	APPROVED BY:	Eisley	4/21-17'	.XXX ± 0.10/.004 XX' ±	DRAWING NO. 13W313SE PART NO. 13W3PPH***40***
								SCALE 2 / 1 SHEET 1 OF 2

Ordering Code

13W3 P P H 3 2 1 40 I10
 ① ② ③ ④ ⑤ ⑥ ⑦ ⑧ ⑨

- ① Series No.
- ② Connector Type: P= Plug
- ③ Contact type: P= High Power Contact
- ④ Contact tail style: H= Right Angle Dip type
- ⑤ High power contact plating:
 2= Gold flash plated over Nickel
 3= 15 μ " Gold plated over Nickel
 4= 30 μ " Gold plated over Nickel
 5= 50 μ " Gold plated over Nickel
- ⑥ Signal contact plating:
 2= Gold flash plated over Nickel
 3= 15 μ " Gold plated over Nickel
 4= 30 μ " Gold plated over Nickel
- ⑦ Insulator color: 1= Black, 6= Green
- ⑧ Performance: 40= 40A
- ⑨ Mounting Style:
 000= With ϕ 3.05mm holes on shell
 B00= Riveted #4-40 UNC open nuts on front shell
 C00= Riveted #4-40 UNC open nuts on rear shell
 I00= Riveted #4-40 UNC ground tabs with ϕ 3.2mm holes
 I10= Riveted #4-40 UNC ground tabs with board locks(standard)



Recommended P.C Board Layout

Lead Free Process

RoHS Compliant

Mounting Style		Code		Code		Code		Code	
		000	B00	C00	I00	I10			
		DIM. L= 4.0mm		DIM. L= 4.0mm		ϕ A=3.2mm			

CVILUX CORP
 2017.04.27
 ISSUED

④						DATE	UNIT: mm / inch	TITLE: 13W3 40A HIGH POWER MALE D-SUB CONNECTOR (RIGHT ANGLE TYPE)	瀚荃股份有限公司 CviLux Corporation
③	Karen	4/18-17'	ECNT117049/ECRT117003	DRAWN BY:	Karen	4/20-17'	TOLERANCE UNLESS OTHERWISE SPECIFIED	MATERIAL:	
②	Jim	10/13/06'	ECR06094-0/ECN06369	ENGINEER:	Sun	4/21-17'	.X ± 0.30/012 X: ± 1'	FINISH:	
①	SUN	3/24/05'	ECR05025-0/ECN05095	CHECKED BY:	Eisley	4/21-17'	.XX ± 0.20/008 .X: ±		
SYM	NAME	DATE	REVISIONS	APPROVED BY:	Eisley	4/21-17'	.XXX ± 0.10/004 .XX: ±		DRAWING NO. 13W313SE PART NO. 13W3PPH***40*** SCALE 2 / 1 SHEET 2 OF 2